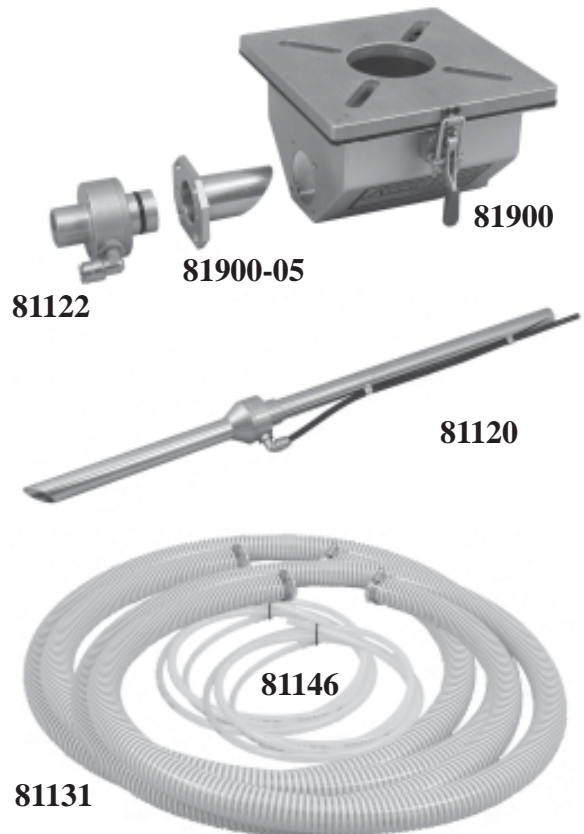


80034 DUAL LOADER ASSEMBLY
With 1 1/4" WAND & 1 1/4" COLLECTOR BOX INCLUDES:



- 81022 Hopper Assembly for (2) 1 1/4" Hoses
 - 81100 3" Sight Glass w/Sensor
 - 81120 1 1/4" Wand
 - 81122 1 1/4" Accelerator
 - 81131 (2) 10 Foot Lengths of 1 1/4" Material Transfer Hose w/Clamps
 - 81146 (2) 10 Foot Lengths of 3/8" Air Line Tubing
 - 81830 Dual Loader Standard Control
 - 81900 Collector Box for 1 1/4" Accelerator
 - 81900-05 Pickup Tube for 1 1/4" Accelerator
 - 81305 6" x 6" Machine Mounting Plate (Other Sizes Available)
- Installation & Operational Manual



NOTE: Order 80035 for this assembly without 81830 control.



50 Newton Street - P.O. Box 404 - Norwalk, OH 44857-0404
 Phone: 1-888-844-2228 Fax: 1-888-717-2228
 Email: info@accu-feed.com Website: www.accu-feed.com