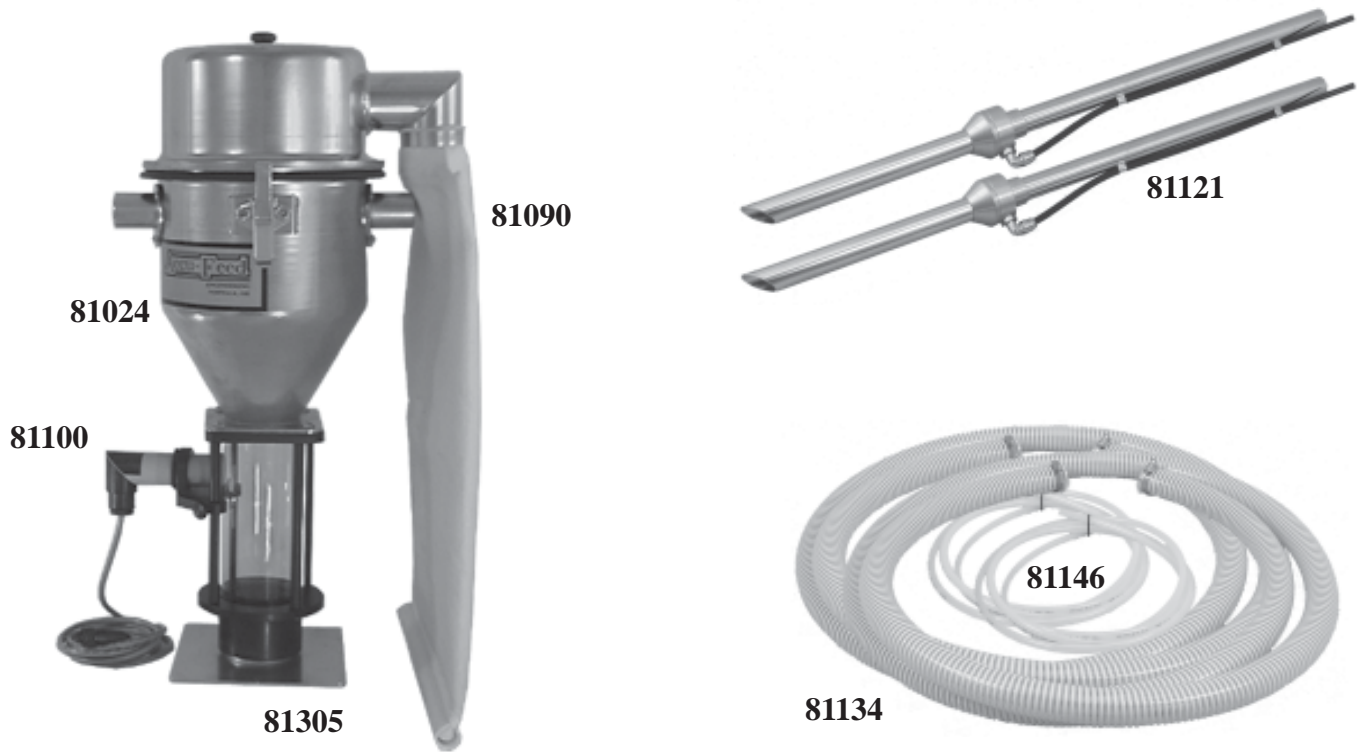

80038-FB DUAL LOADER ASSEMBLY
With 1 1/2" WANDS INCLUDES:



- 81024 Hopper Assembly for (2) 1 1/2" Hoses
- 81090 Filter Bag Assembly
- 81100 3" Sight Glass w/Sensor
- 81121 (2) 1 1/2" Wands
- 81134 (2) 10 Foot Lengths of 1 1/2" Material Transfer Hose w/Clamps
- 81146 (2) 10 Foot Lengths of 3/8" Air Line Tubing
- 81830 Dual Loader Standard Control
- 81305 6" x 6" Machine Mounting Plate (Other Sizes Available)
Installation & Operational Manual



NOTE: Order 80039-FB for this assembly without 81830 control.



50 Newton Street - P.O. Box 404 - Norwalk, OH 44857-0404
Phone: 1-888-844-2228 Fax: 1-888-717-2228
Email: info@accu-feed.com Website: www.accu-feed.com