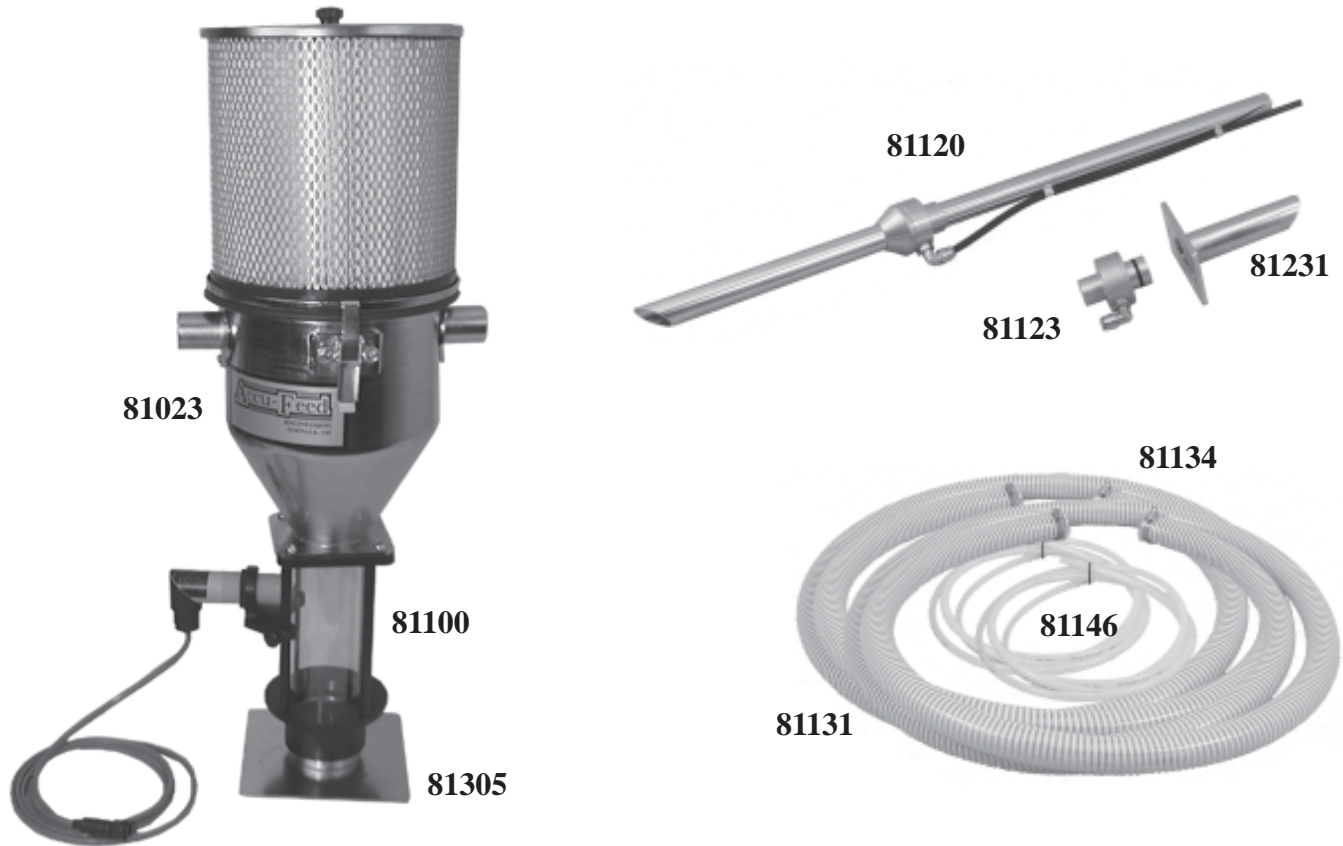

80042 DUAL LOADER ASSEMBLY

With 1 1/4" WAND, 1 1/2" ACCELERATOR & GRINDER SPIKE INCLUDES:



- 81023 Hopper Assembly for 1 1/4" Hose & 1 1/2" Hose
- 81100 3" Sight Glass w/Sensor
- 81120 1 1/4" Wand
- 81123 1 1/2" Accelerator
- 81131 10 Feet of 1 1/4" Material Transfer Hose w/Clamps
- 81134 10 Feet of 1 1/2" Material Transfer Hose w/Clamps
- 81146 (2) 10 Foot Lengths of 3/8" Air Line Tubing
- 81231 Grinder Spike for 1 1/2" Accelerator
- 81830 Dual Loader Standard Control
- 81305 6" x 6" Machine Mounting Plate (Other Sizes Available)
- Installation & Operational Manual



NOTE: Order 80043 for this assembly without 81830 control.

Accu-Feed

ENGINEERING

50 Newton Street - P.O. Box 404 - Norwalk, OH 44857-0404
Phone: 1-888-844-2228 Fax: 1-888-717-2228
Email: info@accu-feed.com Website: www.accu-feed.com