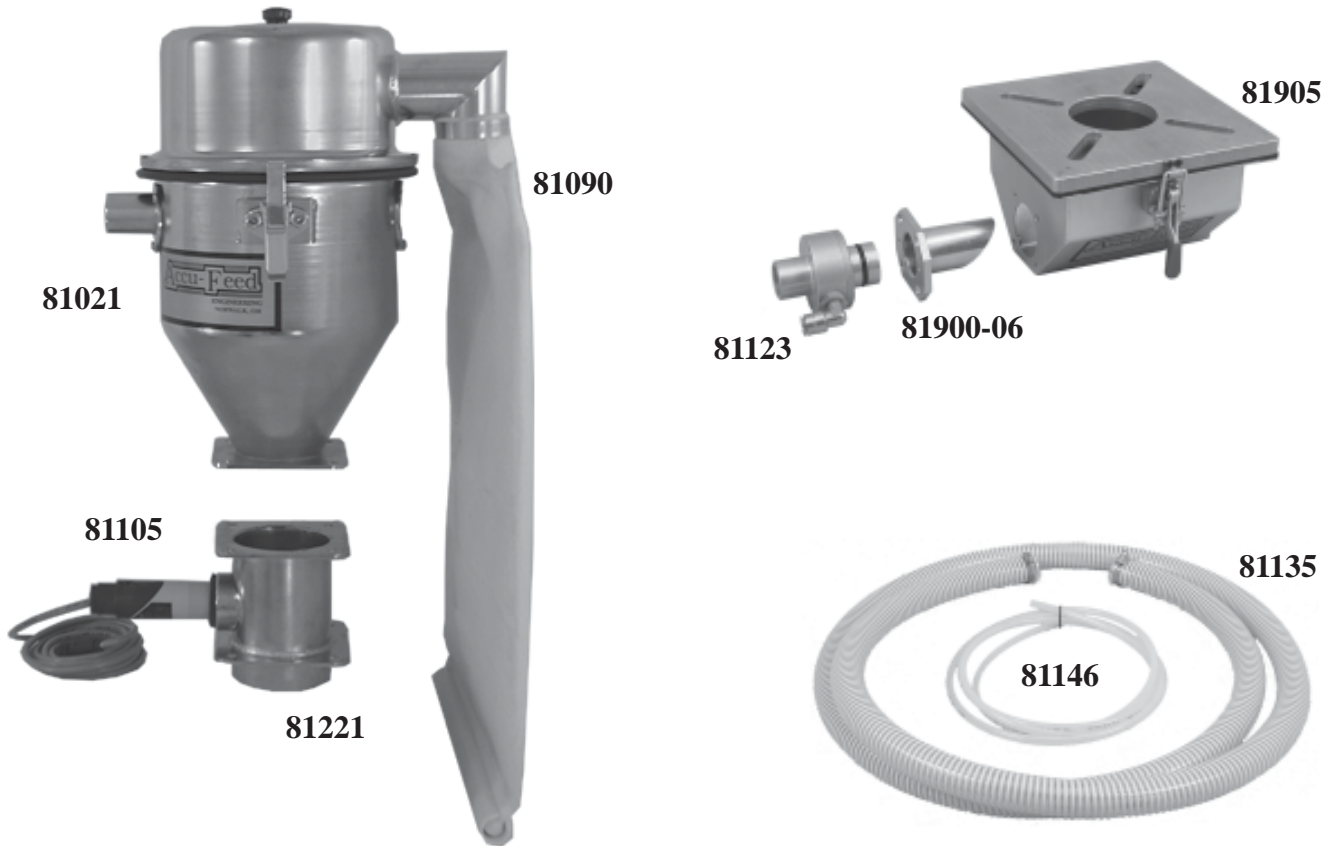

80064-FB SINGLE HOPPER MOUNT ASSEMBLY
With 1 1/2" ACCELERATOR & COLLECTOR BOX INCLUDES:



- 81021 Hopper Assembly for 1 1/2" Hose
 - 81090 Filter Bag Assembly
 - 81105 Sensor
 - 81123 1 1/2" Accelerator
 - 81135 15 Feet of 1 1/2" Material Transfer Hose w/Clamps
 - 81146 10 Feet of 3/8" Air Line Tubing
 - 81221 1" Tube w/Flange for Hopper Mounting (Other Sizes Available)
 - 81800 Single Loader Standard Control
 - 81900-06 Pickup Tube for 1 1/2" Accelerator
 - 81905 Collector Box for 1 1/2" Accelerator
- Installation & Operational Manual



NOTE: Order 80065-FB for this assembly without 81800 control.

Accu-Feed
ENGINEERING

50 Newton Street - P.O. Box 404 - Norwalk, OH 44857-0404
Phone: 1-888-844-2228 Fax: 1-888-717-2228
Email: info@accu-feed.com Website: www.accu-feed.com