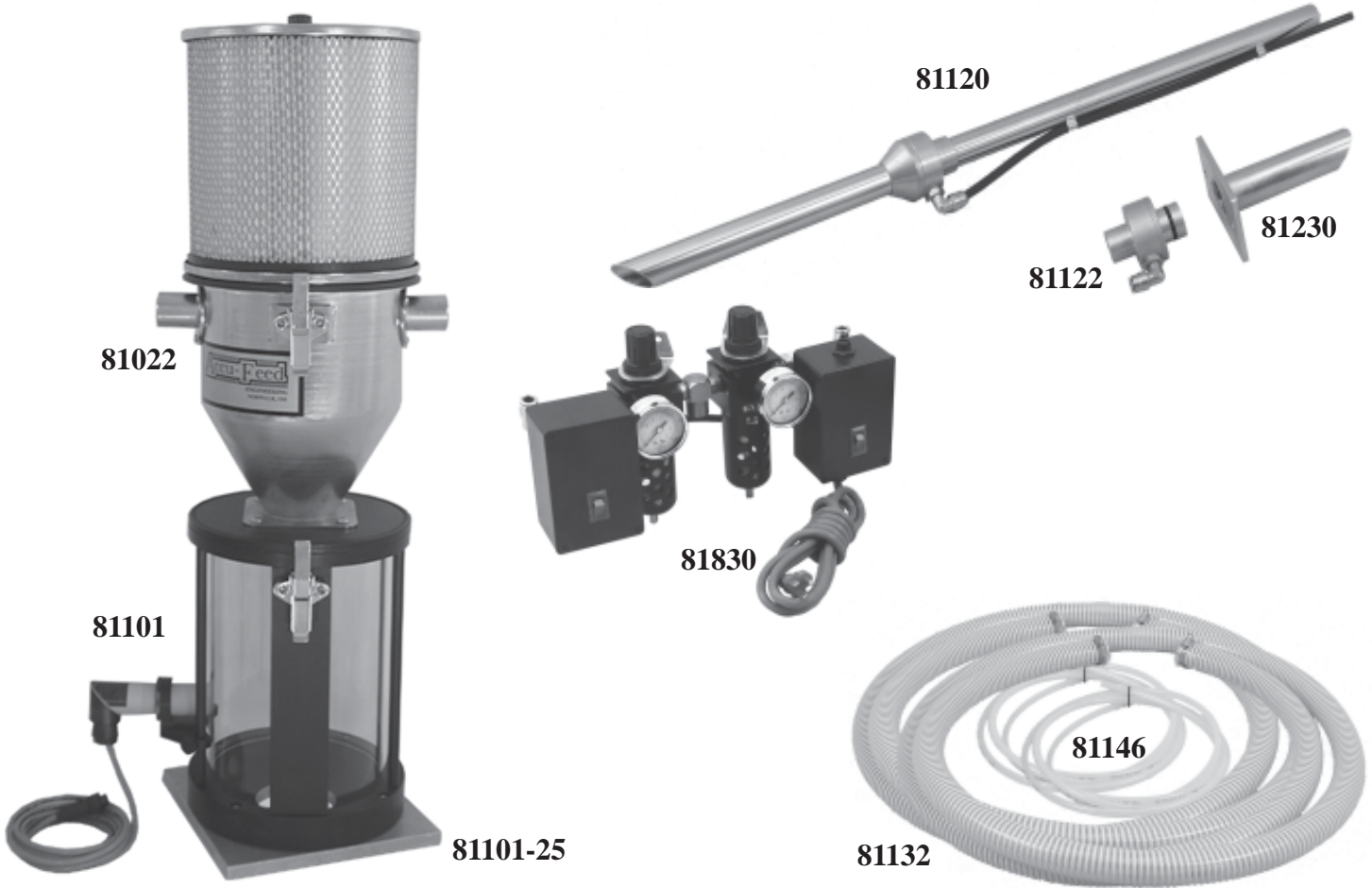
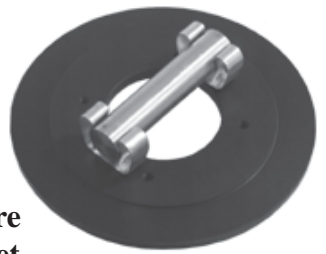


**80072-8 DUAL LOADER ASSEMBLY With 8" SIGHT GLASS,  
1 1/4" WAND, 1 1/4" ACCELERATOR & GRINDER SPIKE INCLUDES:**



- 81022 Hopper Assembly for (2) 1 1/4" Hoses
- 81101 8" Sight Glass w/Sensor
- 81101-25 8" x 8" Machine Mounting Plate (Other Sizes Available)
- 81120 1 1/4" Wand
- 81122 1 1/4" Accelerator
- 81132 (2) 15 Foot Lengths of 1 1/4" Material Transfer Hose w/Clamps
- 81146 (2) 10 Foot Lengths of 3/8" Air Line Tubing
- 81230 Grinder Spike for 1/1/4" Accelerator
- 81830 Dual Loader Standard Control  
Installation & Operational Manual

**81101-20  
Optional Rare  
Earth Magnet  
Assembly**



**NOTE: Order 80073-8 for this assembly without 81830 control.**



**ENGINEERING**

50 Newton Street - P.O. Box 404 - Norwalk, OH 44857-0404

Phone: 1-888-844-2228 Fax: 1-888-717-2228

Email: [info@accu-feed.com](mailto:info@accu-feed.com) Website: [www.accu-feed.com](http://www.accu-feed.com)