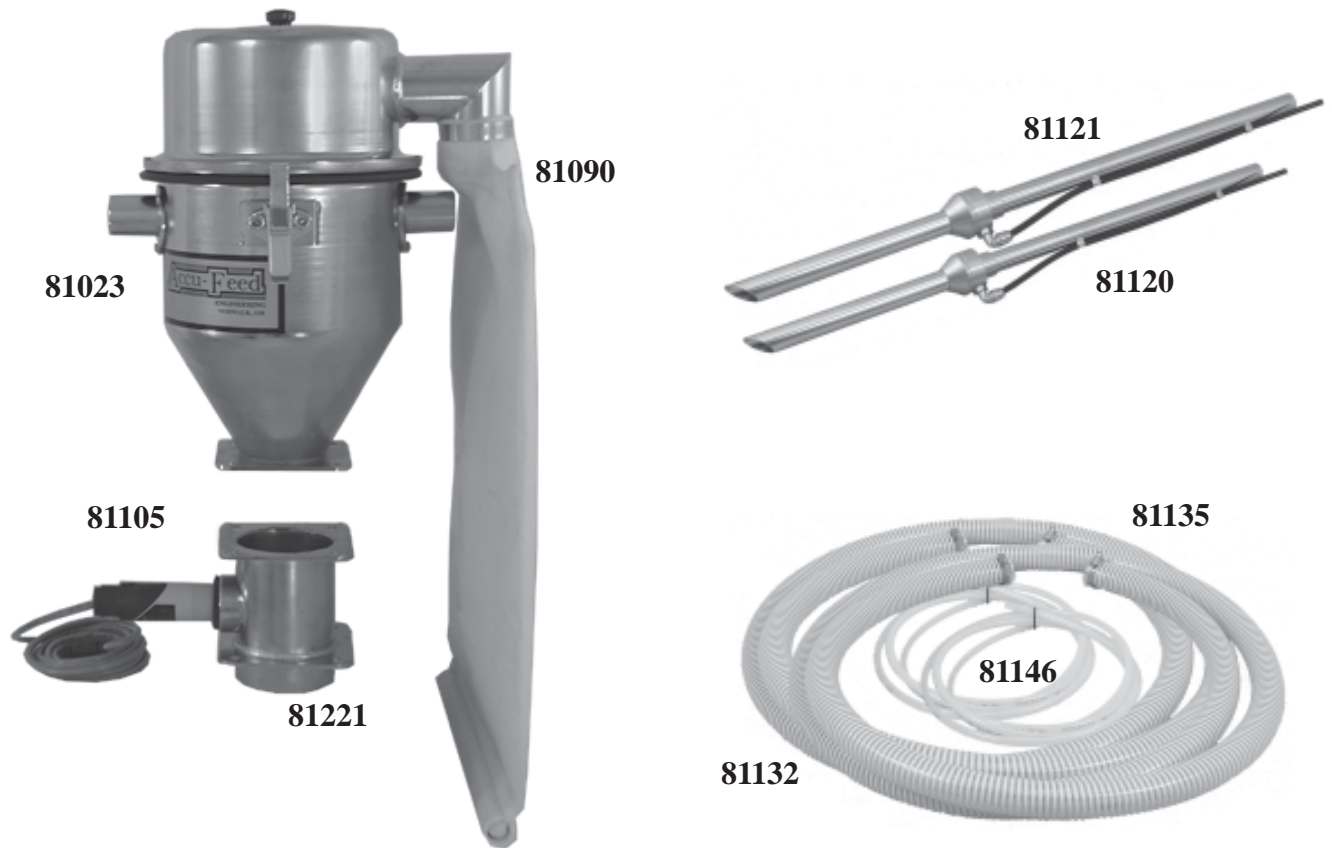


---

---

**80080-FB DUAL HOPPER MOUNT ASSEMBLY**  
**With 1 1/4" WAND & 1 1/2" WAND INCLUDES:**



- 81023 Hopper Assembly for 1 1/4" Hose & 1 1/2" Hose
- 81090 Filter Bag Assembly
- 81105 Sensor
- 81120 1 1/4" Wand
- 81121 1 1/2" Wand
- 81132 15 Feet of 1 1/4" Material Transfer Hose w/Clamps
- 81135 15 Feet of 1 1/2" Material Transfer Hose w/Clamps
- 81146 (2) 10 Foot Lengths of 3/8" Air Line Tubing
- 81221 1" Tube w/Flange for Hopper Mounting (Other Sizes Available)
- 81830 Dual Loader Standard Control  
Installation & Operational Manual



**NOTE: Order 80081-FB for this assembly without 81830 control.**



50 Newton Street - P.O. Box 404 - Norwalk, OH 44857-0404  
Phone: 1-888-844-2228 Fax: 1-888-717-2228  
Email: [info@accu-feed.com](mailto:info@accu-feed.com) Website: [www.accu-feed.com](http://www.accu-feed.com)