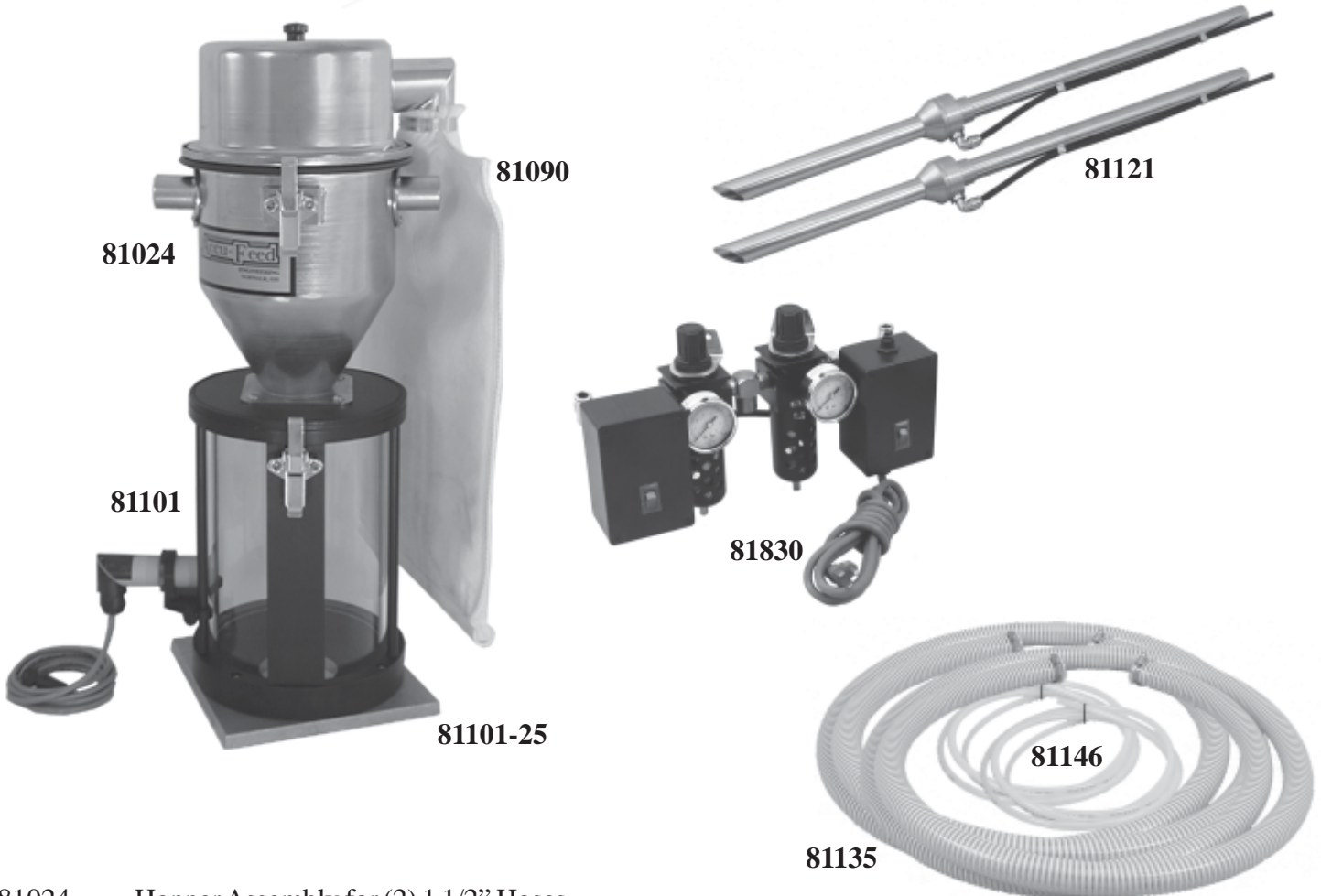
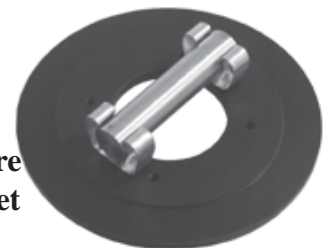


**80088-FB-8 DUAL LOADER ASSEMBLY With 8" SIGHT GLASS
& 1 1/2" WANDS INCLUDES:**



- 81024 Hopper Assembly for (2) 1 1/2" Hoses
- 81090 Filter Bag Assembly
- 81101 8" Sight Glass w/Sensor
- 81101-25 8" x 8" Machine Mounting Plate (Other Sizes Available)
- 81121 (2) 1 1/2" Wands
- 81135 (2) 15 Foot Lengths of 1 1/2" Material Transfer Hose w/Clamps
- 81146 (2) 10 Foot Lengths of 3/8" Air Line Tubing
- 81830 Dual Loader Standard Control
Installation & Operational Manual

**81101-20
Optional Rare
Earth Magnet
Assembly**



NOTE: Order 80089-FB-8 for this assembly without 81830 control.

Accu-Feed
ENGINEERING

50 Newton Street - P.O. Box 404 - Norwalk, OH 44857-0404
Phone: 1-888-844-2228 Fax: 1-888-717-2228
Email: info@accu-feed.com Website: www.accu-feed.com