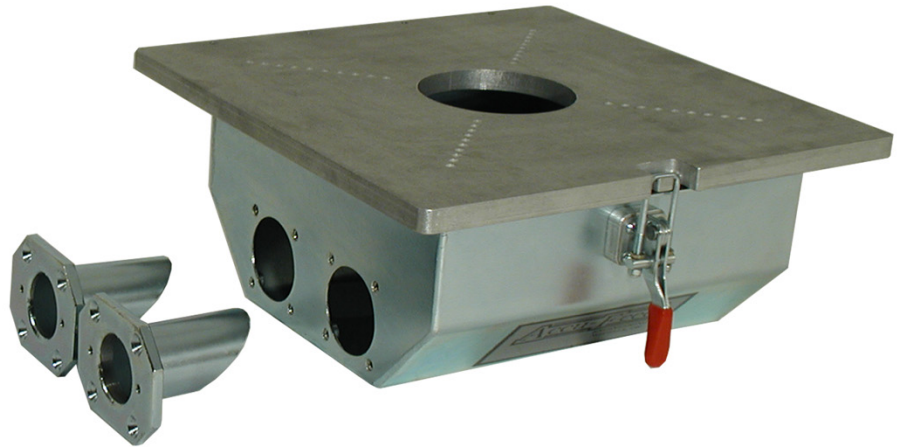
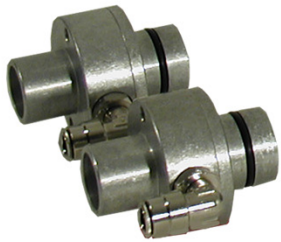

81930 SERIES LARGE COLLECTOR BOXES

OPTIONAL ACCELERATORS



- | | |
|-------|---|
| 81931 | Large Collector Box for (1) 1 1/4" Accelerator |
| 81932 | Large Collector Box for (2) 1 1/4" Accelerators |
| 81933 | Large Collector Box for (3) 1 1/4" Accelerators |
| 81934 | Large Collector Box for (4) 1 1/4" Accelerators |
| 81935 | Large Collector Box for (1) 1 1/2" Accelerator |
| 81936 | Large Collector Box for (2) 1 1/2" Accelerators |
| 81937 | Large Collector Box for (3) 1 1/2" Accelerators |
| 81938 | Large Collector Box for (4) 1 1/2" Accelerators |

OPTIONAL ACCELERATORS

- | | |
|-------|--------------------|
| 81122 | 1 1/4" Accelerator |
| 81123 | 1 1/2" Accelerator |

The 12" x 12" top plate comes with bolt patterns from 3 1/2" x 3 1/2" to 8" x 8" center drilled. This allows you to drill your bolt pattern with ease. Different bolt patterns can be layed out on the opposite side. If you supply your bolt pattern and bolt size, we will machine the plate to your specifications at no additional charge.

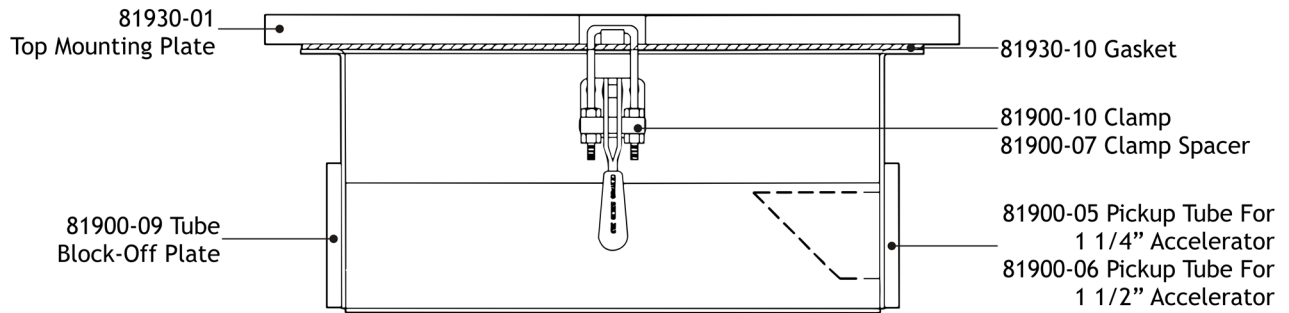
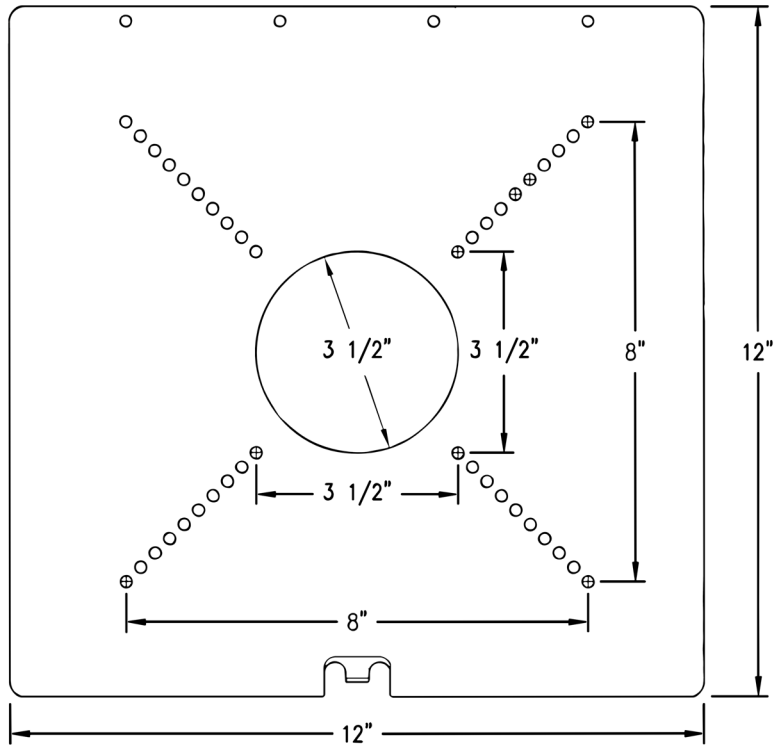
Accu-Feed

ENGINEERING

50 Newton Street - P.O. Box 404 - Norwalk, OH 44857-0404

Phone: 1-888-844-2228 Fax: 1-888-717-2228

Email: info@accu-feed.com Website: www.accu-feed.com



- 81900-05 Pickup Tube for 1 1/4" Accelerator
- 81900-06 Pickup Tube for 1 1/2" Accelerator
- 81900-07 Clamp Spacer
- 81900-09 Tube Block-Off Plate
- 81900-10 Toggle Clamp
- 81930-01 Top Mounting Plate (3 1/2" to 8" Bolt Pattern)
- 81930-10 Gasket