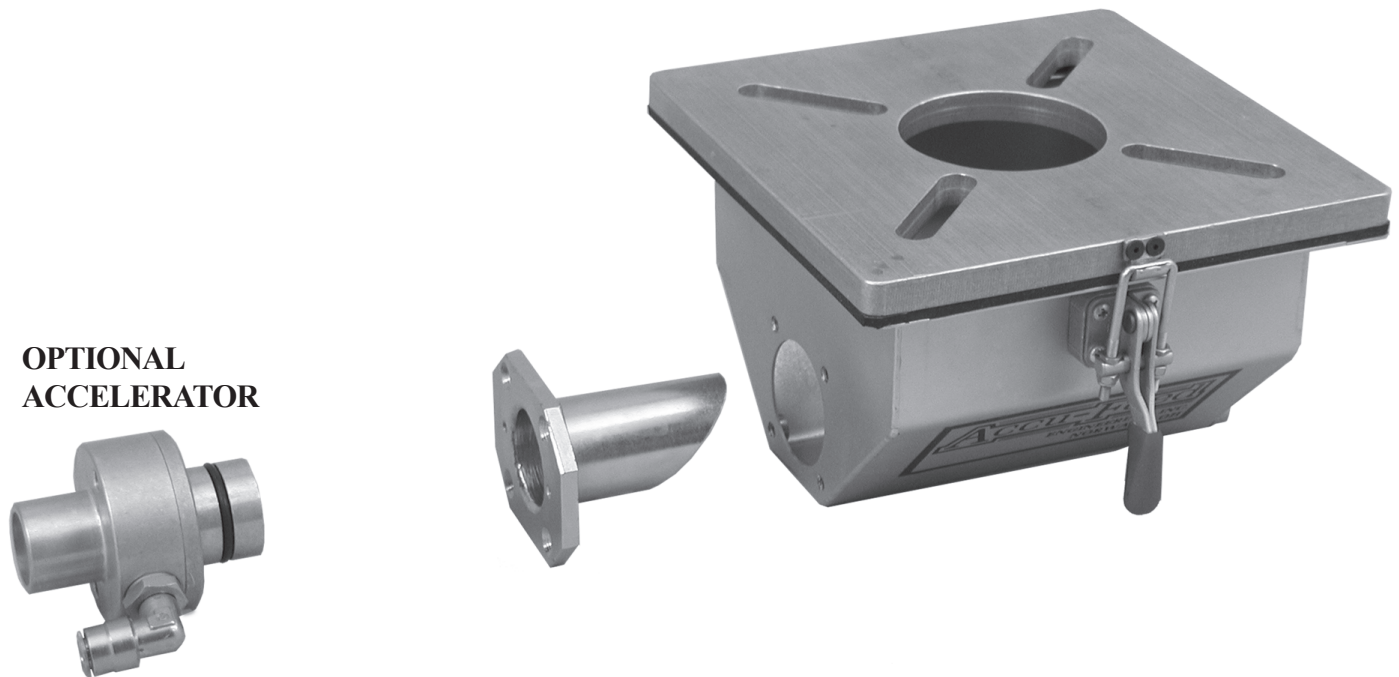


---

---

## 81900 SERIES COLLECTOR BOXES



- 81900 Collector Box for 1 1/4" Accelerator  
81905 Collector Box for 1 1/2" Accelerator  
81910 Collector Box for (2) 1 1/4" Accelerators  
81915 Collector Box for (2) 1 1/2" Accelerators

### OPTIONAL ACCELERATORS

- 81122 1 1/4" Accelerator  
81123 1 1/2" Accelerator

With the optional 10" x 10" top mounting plate you may use up to a 9" x 9" bolt pattern. The 1/2" aluminum plate can be drilled and tapped or drilled and countersunk for using flat head bolts to mount to your hopper. If you supply your bolt dimensions and sizes, we will machine the plate to your specifications at no additional charge. For this optional plate, change the part number to have the suffix -10.

# Accu-Feed

ENGINEERING

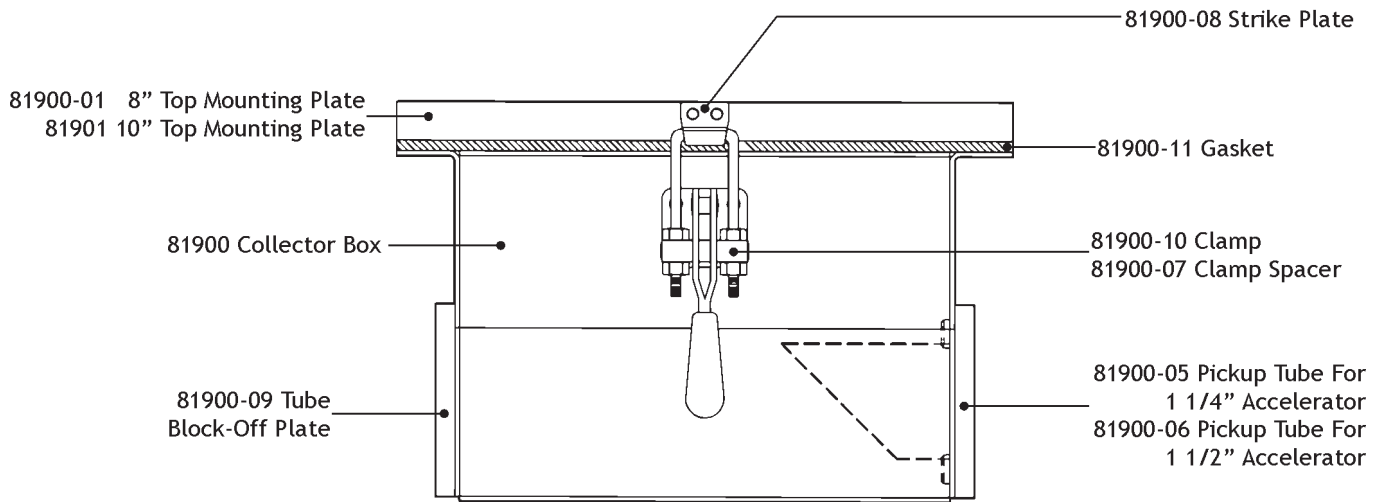
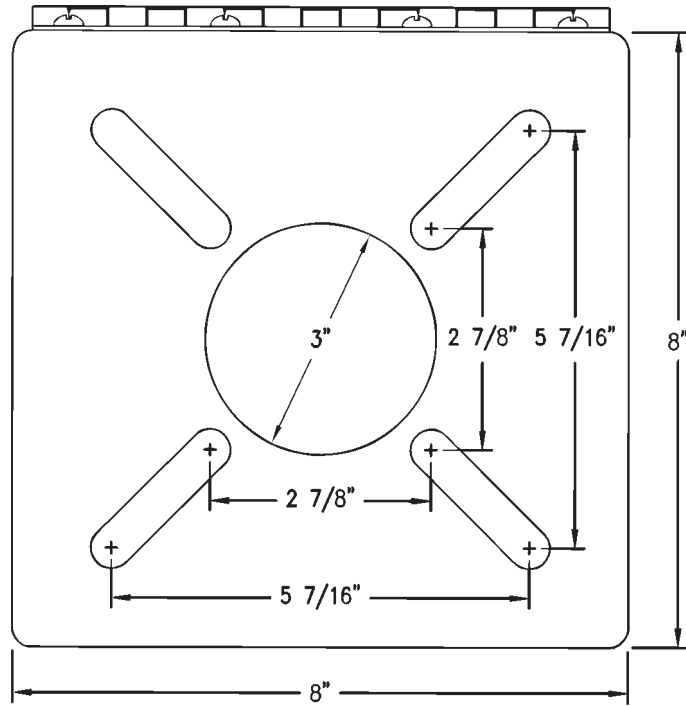
50 Newton Street - P.O. Box 404 - Norwalk, OH 44857-0404

Phone: 1-888-844-2228 Fax: 1-888-717-2228

Email: [info@accu-feed.com](mailto:info@accu-feed.com) Website: [www.accu-feed.com](http://www.accu-feed.com)

---

---



- 81900-01 8" Top Mounting Plate
- 81900-05 Pickup Tube for 1 1/4" Accelerator
- 81900-06 Pickup Tube for 1 1/2" Accelerator
- 81900-07 Clamp Spacer
- 81900-08 Strike Plate
- 81900-09 Tube Block-Off Plate
- 81900-10 Toggle Clamp
- 81900-11 Gasket
- 81901 10" Top Mounting Plate