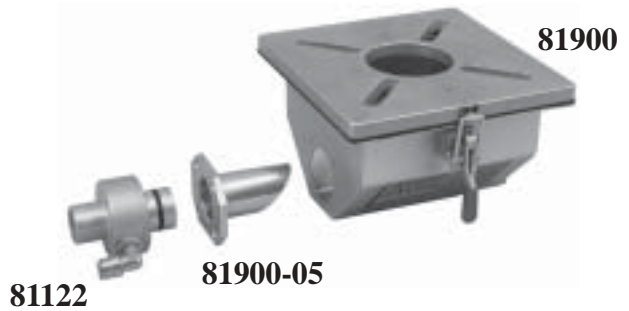


**83260 MINI-LOADER HOPPER MOUNT ASSEMBLY**  
**With 1 1/4" ACCELERATOR & COLLECTOR BOX INCLUDES:**



- 83000 Mini-Loader w/Sight Glass
  - 81105 Sensor
  - 81122 1 1/4" Accelerator
  - 81132 15 Feet of 1 1/4" Material Transfer Hose w/Clamps
  - 81146 10 Feet of 3/8" Air Line Tubing
  - 81800 Single Loader Standard Control
  - 81900 Collector Box for 1 1/4" Accelerator
  - 81900-05 Pickup Tube for 1 1/4" Accelerator
  - 83045 6" x 6" Hopper Mounting Plate (Other Sizes Available)
  - 83050 1" Tube w/Flange for Hopper Mounting (Other Sizes Available)
- Installation & Operational Manual



**NOTE: Order 83261 for this assembly without 81800 control.**



50 Newton Street - P.O. Box 404 - Norwalk, OH 44857-0404  
 Phone: 1-888-844-2228 Fax: 1-888-717-2228  
 Email: [info@accu-feed.com](mailto:info@accu-feed.com) Website: [www.accu-feed.com](http://www.accu-feed.com)