
Accu-Feed

ENGINEERING

P.O. Box 404 - 50 Newton Street - Norwalk, OH 44857-0404
Phone: 1-888-844-2228 Fax: 1-888-717-2228
Email: info@accu-feed.com
www.accu-feed.com

STANDARD PNEUMATIC LOADERS



Introduction to Standard Loaders	2
Standard Loader Packages	3
Assembly Sheets	
Single Loader Assemblies	16
Dual Loader Assemblies	22
Single Hopper Mount Assemblies	28
Dual Hopper Mount Assemblies	34
Single Hopper Mount Assemblies w/8" Sight Glass	41
Dual Hopper Mount Assemblies w/8" Sight Glass	47
Parts Listing	54
Assembly Sheets	
81100 3" Sight Glass w/Sensor	60
81000 Series Hopper Assemblies w/Filter Bag Option	61
81020 Series Hopper Assemblies w/Flange	62



STANDARD LOADER ASSEMBLIES

Add \$50.00 for the Filter Bag Assembly and Change the Assembly Number to have the Suffix -FB.

Add \$375.00 to any Standard Hopper Mount Assembly for Upgrading to an 8" Sight Glass and Change the Assembly Number to have the Suffix -8.

Other Machine Mounting Plates are available:

81300	5" x 5"	Machine Mounting Plate
81310	7" x 7"	Machine Mounting Plate
81315	8" x 8"	Machine Mounting Plate
81320	10" x 10"	Machine Mounting Plate
81321	12" x 12"	Machine Mounting Plate

NOTE

Other Tubes w/Flange for Hopper Mounting are available:

81222	6" Tube w/Flange for Hopper Mounting
81223	9" Tube w/Flange for Hopper Mounting
81224	12" Tube w/Flange for Hopper Mounting

80010 SINGLE LOADER ASSEMBLY w/1 1/4" WAND INCLUDES:

81000 Hopper Assembly w/Tube for 1 1/4" Hose
81100 3" Sight Glass w/Sensor
81120 1 1/4" Wand
81131 10 Feet of 1 1/4" Material Transfer Hose w/Clamps
81146 10 Feet of 3/8" Air Line Tubing
81800 Single Loader Standard Control
81305 6" x 6" Machine Mounting Plate
Installation & Operational Manual

80011 SINGLE LOADER ASSEMBLY w/1 1/4" WAND INCLUDES:

81000 Hopper Assembly w/Tube for 1 1/4" Hose
81100 3" Sight Glass w/Sensor
81120 1 1/4" Wand
81131 10 Feet of 1 1/4" Material Transfer Hose w/Clamps
81146 10 Feet of 3/8" Air Line Tubing
81305 6" x 6" Machine Mounting Plate
Installation & Operational Manual

80012 SINGLE LOADER ASSEMBLY w/1 1/4" ACCELERATOR & GRINDER SPIKE INCLUDES:

81000 Hopper Assembly w/Tube for 1 1/4" Hose
81100 3" Sight Glass w/Sensor
81122 1 1/4" Accelerator
81131 10 Feet of 1 1/4" Material Transfer Hose w/Clamps
81146 10 Feet of 3/8" Air Line Tubing
81230 Grinder Spike for 1 1/4" Accelerator
81800 Single Loader Standard Control
81305 6" x 6" Machine Mounting Plate
Installation & Operational Manual

80013 SINGLE LOADER ASSEMBLY w/1 1/4" ACCELERATOR & GRINDER SPIKE INCLUDES:

81000 Hopper Assembly w/Tube for 1 1/4" Hose
81100 3" Sight Glass w/Sensor
81122 1 1/4" Accelerator
81131 10 Feet of 1 1/4" Material Transfer Hose w/Clamps
81146 10 Feet of 3/8" Air Line Tubing
81230 Grinder Spike for 1 1/4" Accelerator
81305 6" x 6" Machine Mounting Plate
Installation & Operational Manual



80014 SINGLE LOADER ASSEMBLY w/1 1/4" COLLECTOR BOX INCLUDES:

81000 Hopper Assembly w/Tube for 1 1/4" Hose
81100 3" Sight Glass w/Sensor
81122 1 1/4" Accelerator
81131 10 Feet of 1 1/4" Material Transfer Hose w/Clamps
81146 10 Feet of 3/8" Air Line Tubing
81800 Single Loader Standard Control
81900 Collector Box for 1 1/4" Accelerator
81305 6" x 6" Machine Mounting Plate
Installation & Operational Manual

80015 SINGLE LOADER ASSEMBLY w/1 1/4" COLLECTOR BOX INCLUDES:

81000 Hopper Assembly w/Tube for 1 1/4" Hose
81100 3" Sight Glass w/Sensor
81122 1 1/4" Accelerator
81131 10 Feet of 1 1/4" Material Transfer Hose w/Clamps
81146 10 Feet of 3/8" Air Line Tubing
81900 Collector Box for 1 1/4" Accelerator
81305 6" x 6" Machine Mounting Plate
Installation & Operational Manual

80020 SINGLE LOADER ASSEMBLY w/1 1/2" WAND INCLUDES:

81001 Hopper Assembly w/Tube for 1 1/2" Hose
81100 3" Sight Glass w/Sensor
81121 1 1/2" Wand
81134 10 Feet of 1 1/2" Material Transfer Hose w/Clamps
81146 10 Feet of 3/8" Air Line Tubing
81800 Single Loader Standard Control
81305 6" x 6" Machine Mounting Plate
Installation & Operational Manual

80021 SINGLE LOADER ASSEMBLY w/1 1/2" WAND INCLUDES:

81001 Hopper Assembly w/Tube for 1 1/2" Hose
81100 3" Sight Glass w/Sensor
81121 1 1/2" Wand
81146 10 Feet of 1 1/2" Material Transfer Hose w/Clamps
81134 10 Feet of 3/8" Air Line Tubing
81305 6" x 6" Machine Mounting Plate
Installation & Operational Manual

80022 SINGLE LOADER ASSEMBLY w/1 1/2" ACCELERATOR & GRINDER SPIKE INCLUDES:

81001 Hopper Assembly w/Tube for 1 1/2" Hose
81100 3" Sight Glass w/Sensor
81123 1 1/2" Accelerator
81134 10 Feet of 1 1/2" Material Transfer Hose w/Clamps
81146 10 Feet of 3/8" Air Line Tubing
81231 Grinder Spike for 1 1/2" Accelerator
81800 Single Loader Standard Control
81305 6" x 6" Machine Mounting Plate
Installation & Operational Manual

80023 SINGLE LOADER ASSEMBLY w/1 1/2" ACCELERATOR & GRINDER SPIKE INCLUDES:

81001 Hopper Assembly w/Tube for 1 1/2" Hose
81100 3" Sight Glass w/Sensor
81123 1 1/2" Accelerator
81134 10 Feet of 1 1/2" Material Transfer Hose w/Clamps
81146 10 Feet of 3/8" Air Line Tubing
81231 Grinder Spike for 1 1/2" Accelerator
81305 6" x 6" Machine Mounting Plate
Installation & Operational Manual

80024 SINGLE LOADER ASSEMBLY w/1 1/2" COLLECTOR BOX INCLUDES:

81001 Hopper Assembly w/Tube for 1 1/2" Hose
81100 3" Sight Glass w/Sensor
81123 1 1/2" Accelerator
81134 10 Feet of 1 1/2" Material Transfer Hose w/Clamps
81146 10 Feet of 3/8" Air Line Tubing
81800 Single Loader Standard Control
81905 Collector Box for 1 1/2" Accelerator
81305 6" x 6" Machine Mounting Plate
Installation & Operational Manual

80025 SINGLE LOADER ASSEMBLY w/1 1/2" COLLECTOR BOX INCLUDES:

81001 Hopper Assembly w/Tube for 1 1/2" Hose
81100 3" Sight Glass w/Sensor
81123 1 1/2" Accelerator
81134 10 Feet of 1 1/2" Material Transfer Hose w/Clamps
81146 10 Feet of 3/8" Air Line Tubing
81905 Collector Box for 1 1/2" Accelerator
81305 6" x 6" Machine Mounting Plate
Installation & Operational Manual



80030 DUAL LOADER ASSEMBLY w/1 1/4" WANDS INCLUDES:

81002 Hopper Assembly w/Tube for (2) 1 1/4" Hoses
81100 3" Sight Glass w/Sensor
81120 (2) 1 1/4" Wands
81131 (2) 10 Foot Pieces of 1 1/4" Material Transfer Hose w/Clamps
81146 (2) 10 Foot Pieces of 3/8" Air Line Tubing
81830 Dual Loader Standard Control
81305 6" x 6" Machine Mounting Plate
Installation & Operational Manual

80031 DUAL LOADER ASSEMBLY w/1 1/4" WANDS INCLUDES:

81002 Hopper Assembly w/Tube for (2) 1 1/4" Hoses
81100 3" Sight Glass w/Sensor
81120 (2) 1 1/4" Wands
81131 (2) 10 Foot Pieces of 1 1/4" Material Transfer Hose w/Clamps
81146 (2) 10 Foot Pieces of 3/8" Air Line Tubing
81305 6" x 6" Machine Mounting Plate
Installation & Operational Manual

80032 DUAL LOADER ASSEMBLY w/1 1/4" WAND & 1 1/4" ACCELERATOR & GRINDER SPIKE INCLUDES:

81002 Hopper Assembly w/Tube for (2) 1 1/4" Hoses
81100 3" Sight Glass w/Sensor
81120 1 1/4" Wand
81122 1 1/4" Accelerator
81131 (2) 10 Foot Pieces of 1 1/4" Material Transfer Hose w/Clamps
81146 (2) 10 Foot Pieces of 3/8" Air Line Tubing
81230 Grinder Spike for 1 1/4" Accelerator
81830 Dual Loader Standard Control
81305 6" x 6" Machine Mounting Plate
Installation & Operational Manual

80033 DUAL LOADER ASSEMBLY w/1 1/4" WAND & 1 1/4" ACCELERATOR & GRINDER SPIKE INCLUDES:

81002 Hopper Assembly w/Tube for (2) 1 1/4" Hoses
81100 3" Sight Glass w/Sensor
81120 1 1/4" Wand
81122 1 1/4" Accelerator
81131 (2) 10 Foot Pieces of 1 1/4" Material Transfer Hose w/Clamps
81146 (2) 10 Foot Pieces of 3/8" Air Line Tubing
81230 Grinder Spike for 1 1/4" Accelerator
81305 6" x 6" Machine Mounting Plate
Installation & Operational Manual



80034 DUAL LOADER ASSEMBLY w/1 1/4" WAND & 1 1/4" COLLECTOR BOX INCLUDES:

- 81002 Hopper Assembly w/Tube for (2) 1 1/4" Hoses
- 81100 3" Sight Glass w/Sensor
- 81120 1 1/4" Wand
- 81122 1 1/4" Accelerator
- 81131 (2) 10 Foot Pieces of 1 1/4" Material Transfer Hose w/Clamps
- 81146 (2) 10 Foot Pieces of 3/8" Air Line Tubing
- 81830 Dual Loader Standard Control
- 81900 Collector Box for 1 1/4" Accelerator
- 81305 6" x 6" Machine Mounting Plate
Installation & Operational Manual

80035 DUAL LOADER ASSEMBLY w/1 1/4" WAND & 1 1/4" COLLECTOR BOX INCLUDES:

- 81002 Hopper Assembly w/Tube for (2) 1 1/4" Hoses
- 81100 3" Sight Glass w/Sensor
- 81120 1 1/4" Wand
- 81122 1 1/4" Accelerator
- 81131 (2) 10 Foot Pieces of 1 1/4" Material Transfer Hose w/Clamps
- 81146 (2) 10 Foot Pieces of 3/8" Air Line Tubing
- 81900 Collector Box for 1 1/4" Accelerator
- 81305 6" x 6" Machine Mounting Plate
Installation & Operational Manual

80040 DUAL LOADER ASSEMBLY w/1 1/4" & 1 1/2" WANDS INCLUDES:

- 81003 Hopper Assembly w/Tube for 1 1/4" Hose & 1 1/2" Hose
- 81100 3" Sight Glass w/Sensor
- 81120 1 1/4" Wand
- 81121 1 1/2" Wand
- 81131 10 Feet of 1 1/4" Material Transfer Hose w/Clamps
- 81134 10 Feet of 1 1/2" Material Transfer Hose w/Clamps
- 81146 (2) 10 Foot Pieces of 3/8" Air Line Tubing
- 81830 Dual Loader Standard Control
- 81305 6" x 6" Machine Mounting Plate
Installation & Operational Manual

80041 DUAL LOADER ASSEMBLY w/1 1/4" & 1 1/2" WANDS INCLUDES:

- 81003 Hopper Assembly w/Tube for 1 1/4" Hose & 1 1/2" Hose
- 81100 3" Sight Glass w/Sensor
- 81120 1 1/4" Wand
- 81121 1 1/2" Wand
- 81131 10 Feet of 1 1/4" Material Transfer Hose w/Clamps
- 81134 10 Feet of 1 1/2" Material Transfer Hose w/Clamps
- 81146 (2) 10 Foot Pieces of 3/8" Air Line Tubing
- 81305 6" x 6" Machine Mounting Plate
Installation & Operational Manual



80042 DUAL LOADER ASSEMBLY w/1 1/4" WAND & 1 1/2" ACCELERATOR & GRINDER SPIKE INCLUDES:

81003 Hopper Assembly w/Tube for 1 1/4" Hose & 1 1/2" Hose
81100 3" Sight Glass w/Sensor
81120 1 1/4" Wand
81123 1 1/2" Accelerator
81131 10 Feet of 1 1/4" Material Transfer Hose w/Clamps
81134 10 Feet of 1 1/2" Material Transfer Hose w/Clamps
81146 (2) 10 Foot Pieces of 3/8" Air Line Tubing
81231 Grinder Spike for 1 1/2" Accelerator
81830 Dual Loader Standard Control
81305 6" x 6" Machine Mounting Plate
Installation & Operational Manual

80043 DUAL LOADER ASSEMBLY w/1 1/4" WAND & 1 1/2" ACCELERATOR & GRINDER SPIKE INCLUDES:

81003 Hopper Assembly w/Tube for 1 1/4" Hose & 1 1/2" Hose
81100 3" Sight Glass w/Sensor
81120 1 1/4" Wand
81123 1 1/2" Accelerator
81131 10 Feet of 1 1/4" Material Transfer Hose w/Clamps
81134 10 Feet of 1 1/2" Material Transfer Hose w/Clamps
81146 (2) 10 Foot Pieces of 3/8" Air Line Tubing
81231 Grinder Spike for 1 1/2" Accelerator
81305 6" x 6" Machine Mounting Plate
Installation & Operational Manual

80044 DUAL LOADER ASSEMBLY w/1 1/4" WAND & 1 1/2" COLLECTOR BOX INCLUDES:

81003 Hopper Assembly w/Tube for 1 1/4" Hose & 1 1/2" Hose
81100 3" Sight Glass w/Sensor
81120 1 1/4" Wand
81123 1 1/2" Accelerator
81131 10 Feet of 1 1/4" Material Transfer Hose w/Clamps
81134 10 Feet of 1 1/2" Material Transfer Hose w/Clamps
81146 (2) 10 Foot Pieces of 3/8" Air Line Tubing
81830 Dual Loader Standard Control
81905 Collector Box for 1 1/2" Accelerator
81305 6" x 6" Machine Mounting Plate
Installation & Operational Manual

80045 DUAL LOADER ASSEMBLY w/1 1/4" WAND & 1 1/2" COLLECTOR BOX INCLUDES:

81003 Hopper Assembly w/Tube for 1 1/4" Hose & 1 1/2" Hose
81100 3" Sight Glass w/Sensor
81120 1 1/4" Wand
81123 1 1/2" Accelerator
81131 10 Feet of 1 1/4" Material Transfer Hose w/Clamps
81134 10 Feet of 1 1/2" Material Transfer Hose w/Clamps
81146 (2) 10 Foot Pieces of 3/8" Air Line Tubing
81905 Collector Box for 1 1/2" Accelerator
81305 6" x 6" Machine Mounting Plate
Installation & Operational Manual



80050 SINGLE HOPPER MOUNT ASSEMBLY w/1 1/4" WAND INCLUDES:

81020 Hopper Assembly w/Flange for 1 1/4" Hose
81105 Sensor
81120 1 1/4" Wand
81132 15 Feet of 1 1/4" Material Transfer Hose w/Clamps
81146 10 Feet of 3/8" Air Line Tubing
81221 1" Tube w/Flange for Hopper Mounting
81800 Single Loader Standard Control
Installation & Operational Manual

80051 SINGLE HOPPER MOUNT ASSEMBLY w/1 1/4" WAND INCLUDES:

81020 Hopper Assembly w/Flange for 1 1/4" Hose
81105 Sensor
81120 1 1/4" Wand
81132 15 Feet of 1 1/4" Material Transfer Hose w/Clamps
81146 10 Feet of 3/8" Air Line Tubing
81221 1" Tube w/Flange for Hopper Mounting
Installation & Operational Manual

80052 SINGLE HOPPER MOUNT ASSEMBLY w/1 1/4" ACCELERATOR & GRINDER SPIKE INCLUDES:

81020 Hopper Assembly w/Flange for 1 1/4" Hose
81105 Sensor
81122 1 1/4" Accelerator
81132 15 Feet of 1 1/4" Material Transfer Hose w/Clamps
81146 10 Feet of 3/8" Air Line Tubing
81221 1" Tube w/Flange for Hopper Mounting
81230 Grinder Spike for 1 1/4" Accelerator
81800 Single Loader Standard Control
Installation & Operational Manual

80053 SINGLE HOPPER MOUNT ASSEMBLY w/1 1/4" ACCELERATOR & GRINDER SPIKE INCLUDES:

81020 Hopper Assembly w/Flange for 1 1/4" Hose
81105 Sensor
81122 1 1/4" Accelerator
81132 15 Feet of 1 1/4" Material Transfer Hose w/Clamps
81146 10 Feet of 3/8" Air Line Tubing
81221 1" Tube w/Flange for Hopper Mounting
81230 Grinder Spike for 1 1/4" Accelerator
Installation & Operational Manual



80054 SINGLE HOPPER MOUNT ASSEMBLY w/1 1/4" ACCELERATOR & COLLECTOR BOX INCLUDES:

81020 Hopper Assembly w/Flange for 1 1/4" Hose
81105 Sensor
81122 1 1/4" Accelerator
81132 15 Feet of 1 1/4" Material Transfer Hose w/Clamps
81146 10 Feet of 3/8" Air Line Tubing
81221 1" Tube w/Flange for Hopper Mounting
81800 Single Loader Standard Control
81900 Collector Box for 1 1/4" Accelerator
Installation & Operational Manual

80055 SINGLE HOPPER MOUNT ASSEMBLY w/1 1/4" ACCELERATOR & COLLECTOR BOX INCLUDES:

81020 Hopper Assembly w/Flange for 1 1/4" Hose
81105 Sensor
81122 1 1/4" Accelerator
81132 15 Feet of 1 1/4" Material Transfer Hose w/Clamps
81146 10 Feet of 3/8" Air Line Tubing
81221 1" Tube w/Flange for Hopper Mounting
81900 Collector Box for 1 1/4" Accelerator
Installation & Operational Manual

80060 SINGLE HOPPER MOUNT ASSEMBLY w/1 1/2" WAND INCLUDES:

81021 Hopper Assembly w/Flange for 1 1/2" Hose
81105 Sensor
81121 1 1/2" Wand
81135 15 Feet of 1 1/2" Material Transfer Hose w/Clamps
81146 10 Feet of 3/8" Air Line Tubing
81221 1" Tube w/Flange for Hopper Mounting
81800 Single Loader Standard Control
Installation & Operational Manual

80061 SINGLE HOPPER MOUNT ASSEMBLY w/1 1/2" WAND INCLUDES:

81021 Hopper Assembly w/Flange for 1 1/2" Hose
81105 Sensor
81121 1 1/2" Wand
81135 15 Feet of 1 1/2" Material Transfer Hose w/Clamps
81146 10 Feet of 3/8" Air Line Tubing
81221 1" Tube w/Flange for Hopper Mounting
Installation & Operational Manual



80062 SINGLE HOPPER MOUNT ASSEMBLY w/1 1/2" ACCELERATOR & GRINDER SPIKE INCLUDES:

81021 Hopper Assembly w/Flange for 1 1/2" Hose
81105 Sensor
81123 1 1/2" Accelerator
81135 15 Feet of 1 1/2" Material Transfer Hose w/Clamps
81146 10 Feet of 3/8" Air Line Tubing
81221 1" Tube w/Flange for Hopper Mounting
81231 Grinder Spike for 1 1/2" Accelerator
81800 Single Loader Standard Control
Installation & Operational Manual

80063 SINGLE HOPPER MOUNT ASSEMBLY w/1 1/2" ACCELERATOR & GRINDER SPIKE INCLUDES:

81021 Hopper Assembly w/Flange for 1 1/2" Hose
81105 Sensor
81123 1 1/2" Accelerator
81135 15 Feet of 1 1/2" Material Transfer Hose w/Clamps
81146 10 Feet of 3/8" Air Line Tubing
81221 1" Tube w/Flange for Hopper Mounting
81231 Grinder Spike for 1 1/2" Accelerator
Installation & Operational Manual

80064 SINGLE HOPPER MOUNT ASSEMBLY w/1 1/2" ACCELERATOR & COLLECTOR BOX INCLUDES:

81021 Hopper Assembly w/Flange for 1 1/2" Hose
81105 Sensor
81123 1 1/2" Accelerator
81135 15 Feet of 1 1/2" Material Transfer Hose w/Clamps
81146 10 Feet of 3/8" Air Line Tubing
81221 1" Tube w/Flange For fopper Mounting
81800 Single Loader Standard Control
81905 Collector BoxfFor 1 1/2" Accelerator
Installation & Operational Manual

80065 SINGLE HOPPER MOUNT ASSEMBLY w/1 1/2" ACCELERATOR & COLLECTOR BOX INCLUDES:

81021 Hopper Assembly w/Flange for 1 1/2" Hose
81105 Sensor
81123 1 1/2" Accelerator
81135 15 Feet of 1 1/2" Material Transfer Hose w/Clamps
81146 10 Feet of 3/8" Air Line Tubing
81221 1" Tube w/Flange for Hopper Mounting
81905 Collector Box for 1 1/2" Accelerator
Installation & Operational Manual



80070 DUAL HOPPER MOUNT ASSEMBLY w/1 1/4" WANDS INCLUDES:

81022 Hopper Assembly w/Flange for (2) 1 1/4" Hoses
81105 Sensor
81120 (2) 1 1/4" Wands
81132 (2) 15 Foot Pieces of 1 1/4" Material Hose w/Clamps
81146 (2) 10 Foot Pieces of 3/8" Air Line Tubing
81221 1" Tube w/Flange for Hopper Mounting
81830 Dual Loader Standard Control
Installation & Operational Manual

80071 DUAL HOPPER MOUNT ASSEMBLY w/1 1/4" WANDS INCLUDES:

81022 Hopper Assembly w/Flange for (2) 1 1/4" Hoses
81105 Sensor
81120 (2) 1 1/4" Wands
81132 (2) 15 Foot Pieces of 1 1/4" Material Hose w/Clamps
81146 (2) 10 Foot Pieces of 3/8" Air Line Tubing
81221 1" Tube w/Flange for Hopper Mounting
Installation & Operational Manual

80072 DUAL HOPPER MOUNT ASSEMBLY w/1 1/4" WAND & 1 1/4" ACCELERATOR & GRINDER SPIKE:

81022 Hopper Assembly w/Flange for (2) 1 1/4" Hoses
81105 Sensor
81120 1 1/4" Wand
81122 1 1/4" Accelerator
81132 (2) 15 Foot Pieces of 1 1/4" Material Transfer Hose w/Clamps
81146 (2) 10 Foot Pieces of 3/8" Air Line Tubing
81221 1" Tube w/Flange for Hopper Mounting
81230 Grinder Spike for 1 1/4" Accelerator
81830 Dual Loader Standard Control
Installation & Operational Manual

80073 DUAL HOPPER MOUNT ASSEMBLY w/1 1/4" WAND & 1 1/4" ACCELERATOR & GRINDER SPIKE:

81022 Hopper Assembly w/Flange for (2) 1 1/4" Hoses
81105 Sensor
81120 1 1/4" Wand
81122 1 1/4" Accelerator
81132 (2) 15 Foot Pieces of 1 1/4" Material Transfer Hose w/Clamps
81146 (2) 10 Foot Pieces of 3/8" Air Line Tubing
81221 1" Tube w/Flange for Hopper Mounting
81230 Grinder Spike for 1 1/4" Accelerator
Installation & Operational Manual



80074 DUAL HOPPER MOUNT ASSEMBLY w/1 1/4" WAND & 1 1/4" ACCELERATOR & COLLECTOR BOX:

81022 Hopper Assembly w/Flange for (2) 1 1/4" Hoses
81105 Sensor
81120 1 1/4" Wand
81122 1 1/4" Accelerator
81132 (2) 15 Foot Pieces of 1 1/4" Material Transfer Hose w/Clamps
81146 (2) 10 Foot Pieces of 3/8" Air Line Tubing
81221 1" Tube w/Flange for Hopper Mounting
81830 Dual Loader Standard Control
81900 Collector Box for 1 1/4" Accelerator
Installation & Operational Manual

80075 DUAL HOPPER MOUNT ASSEMBLY w/1 1/4" WAND & 1 1/4" ACCELERATOR & COLLECTOR BOX:

81022 Hopper Assembly w/Flange for (2) 1 1/4" Hoses
81105 Sensor
81120 1 1/4" Wand
81122 1 1/4" Accelerator
81132 (2) 15 Foot Pieces of 1 1/4" Material Transfer Hose w/Clamps
81146 (2) 10 Foot Pieces of 3/8" Air Line Tubing
81221 1" Tube w/Flange for Hopper Mounting
81900 Collector Box for 1 1/4" Accelerator
Installation & Operational Manual

80080 DUAL HOPPER MOUNT ASSEMBLY w/1 1/4" WAND & 1 1/2" WAND INCLUDES:

81023 Hopper Assembly w/Flange for 1 1/4" Hose & 1 1/2" Hose
81105 Sensor
81120 1 1/4" Wand
81121 1 1/2" Wand
81132 15 Feet of 1 1/4" Material Transfer Hose w/Clamps
81135 15 Feet of 1 1/2" Material Transfer Hose w/Clamps
81146 (2) 10 Foot Pieces of 3/8" Air Line Tubing
81221 1" Tube w/Flange for Hopper Mounting
81830 Dual Loader Standard Control
Installation & Operational Manual

80081 DUAL HOPPER MOUNT ASSEMBLY w/1 1/4" WAND & 1 1/2" WAND INCLUDES:

81023 Hopper Assembly w/Flange for 1 1/4" Hose & 1 1/2" Hose
81105 Sensor
81120 1 1/4" Wand
81121 1 1/2" Wand
81132 15 Feet of 1 1/4" Material Transfer Hose w/Clamps
81135 15 Feet of 1 1/2" Material Transfer Hose w/Clamps
81146 (2) 10 Foot Pieces of 3/8" Air Line Tubing
81221 1" Tube w/Flange for Hopper Mounting
Installation & Operational Manual



80082 DUAL HOPPER MOUNT ASSEMBLY w/1 1/4" WAND & 1 1/2" ACCELERATOR & GRINDER SPIKE:

81023 Hopper Assembly w/Flange for 1 1/4" Hose & 1 1/2" Hose
81105 Sensor
81120 1 1/4" Wand
81121 1 1/2" Accelerator
81132 15 Feet of 1 1/4" Material Transfer Hose w/Clamps
81135 15 Feet of 1 1/2" Material Transfer Hose w/Clamps
81146 (2) 10 Foot Pieces of 3/8" Air Line Tubing
81221 1" Tube w/Flange for Hopper Mounting
81231 Grinder Spike for 1 1/2" Accelerator
81830 Dual Loader Standard Control
Installation & Operational Manual

80083 DUAL HOPPER MOUNT ASSEMBLY w/1 1/4" WAND & 1 1/2" ACCELERATOR & GRINDER SPIKE:

81023 Hopper Assembly w/Flange for 1 1/4" Hose & 1 1/2" Hose
81105 Sensor
81120 1 1/4" Wand
81123 1 1/2" Accelerator
81132 15 Feet of 1 1/4" Material Transfer Hose w/Clamps
81135 15 Feet of 1 1/2" Material Transfer Hose w/Clamps
81146 (2) 10 Foot Pieces of 3/8" Air Line Tubing
81221 1" Tube w/Flange for Hopper Mounting
81231 Grinder Spike for 1 1/2" Accelerator
Installation & Operational Manual

80084 DUAL HOPPER MOUNT ASSEMBLY w/1 1/4" WAND & 1 1/2" ACCELERATOR & COLLECTOR BOX:

81023 Hopper Assembly w/Flange for 1 1/4" Hose & 1 1/2" Hose
81105 Sensor
81120 1 1/4" Wand
81123 1 1/2" Accelerator
81132 15 Feet of 1 1/4" Material Transfer Hose w/Clamps
81135 15 Feet of 1 1/2" Material Transfer Hose w/Clamps
81146 (2) 10 Foot Pieces of 3/8" Air Line Tubing
81221 1" Tube w/Flange for Hopper Mounting
81830 Dual Loader Standard Control
81905 Collector Box for 1 1/2" Accelerator
Installation & Operational Manual

80085 DUAL HOPPER MOUNT ASSEMBLY w/1 1/4" WAND & 1 1/2" ACCELERATOR & COLLECTOR BOX:

81023 Hopper Assembly w/Flange for 1 1/4" Hose & 1 1/2" Hose
81105 Sensor
81120 1 1/4" Wand
81123 1 1/2" Accelerator
81132 15 Feet of 1 1/4" Material Transfer Hose w/Clamps
81135 15 Feet of 1 1/2" Material Transfer Hose w/Clamps
81146 (2) 10 Foot Pieces of 3/8" Air Line Tubing
81221 1" Tube w/Flange for Hopper Mounting
81905 Collector Box for 1 1/2" Accelerator
Installation & Operational Manual



80086 DUAL HOPPER MOUNT ASSEMBLY w/1 1/2" WAND & 1 1/2" ACCELERATOR & COLLECTOR BOX:

81024 Hopper Assembly w/Flange for (2) 1 1/2" Hoses
81105 Sensor
81121 1 1/2" Wand
81123 1 1/2" Accelerator
81135 (2) 15 Foot Pieces of 1 1/2" Material Transfer Hose w/Clamps
81146 (2) 10 Foot Pieces of 3/8" Air Line Tubing
81221 1" Tube w/Flange for Hopper Mounting
81830 Dual Loader Standard Control
81905 Collector Box for 1 1/2" Accelerator
Installation & Operational Manual

80087 DUAL HOPPER MOUNT ASSEMBLY w/1 1/2" WAND & 1 1/2" ACCELERATOR & COLLECTOR BOX:

81024 Hopper Assembly w/Flange for (2) 1 1/2" Hoses
81105 Sensor
81121 1 1/2" Wand
81123 1 1/2" Accelerator
81135 (2) 15 Foot Pieces of 1 1/2" Material Transfer Hose w/Clamps
81146 (2) 10 Foot Pieces of 3/8" Air Line Tubing
81221 1" Tube w/Flange for Hopper Mounting
81905 Collector Box for 1 1/2" Accelerator
Installation & Operational Manual



80010 SINGLE LOADER ASSEMBLY
With 1 1/4" WAND INCLUDES:



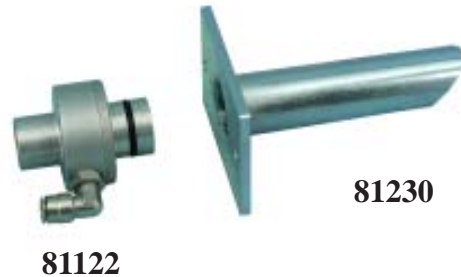
- 81000 Hopper Assembly w/Tube for 1 1/4" Hose
 - 81100 3" Sight Glass w/Sensor
 - 81120 1 1/4" Wand
 - 81131 10 Feet of 1 1/4" Material Transfer Hose w/Clamps
 - 81146 10 Feet of 3/8" Air Line Tubing
 - 81800 Single Loader Standard Control
 - 81305 6" x 6" Machine Mounting Plate (Other Sizes Available)
- Installation & Operational Manual



NOTE: Order 80011 for this assembly without 81800 control.

**Back to
Standard Loader
Packages**

80012 SINGLE LOADER ASSEMBLY
With 1 1/4" ACCELERATOR & GRINDER SPIKE INCLUDES:



- 81000 Hopper Assembly w/Tube for 1 1/4" Hose
- 81100 3" Sight Glass w/Sensor
- 81122 1 1/4" Accelerator
- 81131 10 Feet of 1 1/4" Material Transfer Hose w/Clamps
- 81146 10 Feet of 3/8" Air Line Tubing
- 81230 Grinder Spike for 1 1/4" Accelerator
- 81800 Single Loader Standard Control
- 81305 6" x 6" Machine Mounting Plate (Other Sizes Available)
Installation & Operational Manual



NOTE: Order 80013 for this assembly without 81800 control.

**Back to
Standard Loader
Packages**

**80014 SINGLE LOADER ASSEMBLY
With 1 1/4" COLLECTOR BOX INCLUDES:**



- 81000 Hopper Assembly w/Tube for 1 1/4" Hose
- 81100 3" Sight Glass w/Sensor
- 81122 1 1/4" Accelerator
- 81131 10 Feet of 1 1/4" Material Transfer Hose w/Clamps
- 81146 10 Feet of 3/8" Air Line Tubing
- 81800 Single Loader Standard Control
- 81900 Collector Box for 1 1/4" Accelerator
- 81900-05 Pickup Tube for 1 1/4" Accelerator
- 81305 6" x 6" Machine Mounting Plate (Other Sizes Available)
Installation & Operational Manual



NOTE: Order 80015 for this assembly without 81800 control.

**Back to
Standard Loader
Packages**

80020 SINGLE LOADER ASSEMBLY
With 1 1/2" WAND INCLUDES:



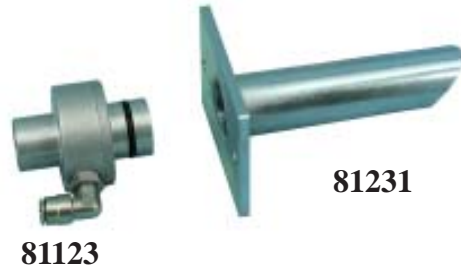
- 81001 Hopper Assembly w/Tube for 1 1/2" Hose
- 81100 3" Sight Glass w/Sensor
- 81121 1 1/2" Wand
- 81134 10 Feet of 1 1/2" Material Transfer Hose w/Clamps
- 81146 10 Feet of 3/8" Air Line Tubing
- 81800 Single Loader Standard Control
- 81305 6" x 6" Machine Mounting Plate (Other Sizes Available)
Installation & Operational Manual



NOTE: Order 80021 for this assembly without 81800 control.

**Back to
Standard Loader
Packages**

80022 SINGLE LOADER ASSEMBLY
With 1 1/2" ACCELERATOR & GRINDER SPIKE INCLUDES:



- 81001 Hopper Assembly w/Tube for 1 1/2" Hose
- 81100 3" Sight Glass w/Sensor
- 81123 1 1/2" Accelerator
- 81134 10 Feet of 1 1/2" Material Transfer Hose w/Clamps
- 81146 10 Feet of 3/8" Air Line Tubing
- 81231 Grinder Spike for 1 1/2" Accelerator
- 81800 Single Loader Standard Control
- 81305 6" x 6" Machine Mounting Plate (Other Sizes Available)
Installation & Operational Manual



NOTE: Order 80023 for this assembly without 81800 control.

**Back to
Standard Loader
Packages**

**80024 SINGLE LOADER ASSEMBLY
With 1 1/2" COLLECTOR BOX INCLUDES:**



- 81001 Hopper Assembly w/Tube for 1 1/2" Hose
- 81100 3" Sight Glass w/Sensor
- 81123 1 1/2" Accelerator
- 81134 10 Feet of 1 1/2" Material Transfer Hose w/Clamps
- 81146 10 Feet of 3/8" Air Line Tubing
- 81800 Single Loader Standard Control
- 81900-06 Pickup Tube for 1 1/2" Accelerator
- 81905 Collector Box for 1 1/2" Accelerator
- 81305 6" x 6" Machine Mounting Plate (Other Sizes Available)
Installation & Operational Manual



NOTE: Order 80025 for this assembly without 81800 control.

**Back to
Standard Loader
Packages**

80030 DUAL LOADER ASSEMBLY
With 1 1/4" WANDS INCLUDES:



- 81002 Hopper Assembly w/Tube for (2) 1 1/4" Hoses
- 81100 3" Sight Glass w/Sensor
- 81120 (2) 1 1/4" Wands
- 81131 (2) 10 Foot Lengths of 1 1/4" Material Transfer Hose w/Clamps
- 81146 (2) 10 Foot Lengths of 3/8" Air Line Tubing
- 81830 Dual Loader Standard Control
- 81305 6" x 6" Machine Mounting Plate (Other Sizes Available)
Installation & Operational Manual



NOTE: Order 80031 for this assembly without 81830 control.

**Back to
Standard Loader
Packages**

80032 DUAL LOADER ASSEMBLY

With 1 1/4" WAND, 1 1/4" ACCELERATOR & GRINDER SPIKE INCLUDES:



- 81002 Hopper Assembly w/Tube for (2) 1 1/4" Hoses
 - 81100 3" Sight Glass w/Sensor
 - 81120 1 1/4" Wand
 - 81122 1 1/4" Accelerator
 - 81131 (2) 10 Foot Lengths of 1 1/4" Material Transfer Hose w/Clamps
 - 81146 (2) 10 Foot Lengths of 3/8" Air Line Tubing
 - 81230 Grinder Spike for 1 1/4" Accelerator
 - 81830 Dual Loader Standard Control
 - 81305 6" x 6" Machine Mounting Plate (Other Sizes Available)
- Installation & Operational Manual

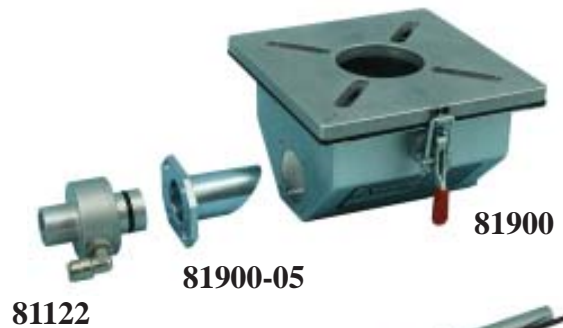


NOTE: Order 80033 for this assembly without 81830 control.

**Back to
Standard Loader
Packages**

Accu-Feed
ENGINEERING

80034 DUAL LOADER ASSEMBLY
With 1 1/4" WAND & 1 1/4" COLLECTOR BOX INCLUDES:



- 81002 Hopper Assembly w/Tube for (2) 1 1/4" Hoses
 - 81100 3" Sight Glass w/Sensor
 - 81120 1 1/4" Wand
 - 81122 1 1/4" Accelerator
 - 81131 (2) 10 Foot Lengths of 1 1/4" Material Transfer Hose w/Clamps
 - 81146 (2) 10 Foot Lengths of 3/8" Air Line Tubing
 - 81830 Dual Loader Standard Control
 - 81900 Collector Box for 1 1/4" Accelerator
 - 81900-05 Pickup Tube for 1 1/4" Accelerator
 - 81305 6" x 6" Machine Mounting Plate (Other Sizes Available)
- Installation & Operational Manual



NOTE: Order 80035 for this assembly without 81830 control.

**Back to
Standard Loader
Packages**

80040 DUAL LOADER ASSEMBLY
With 1 1/4" & 1 1/2" WANDS INCLUDES:



- 81003 Hopper Assembly w/Tube for 1 1/4" Hose & 1 1/2" Hose
- 81100 3" Sight Glass w/Sensor
- 81120 1 1/4" Wand
- 81121 1 1/2" Wand
- 81131 10 Feet of 1 1/4" Material Transfer Hose w/Clamps
- 81134 10 Feet of 1 1/2" Material Transfer Hose w/Clamps
- 81146 (2) 10 Foot Lengths of 3/8" Air Line Tubing
- 81830 Dual Loader Standard Control
- 81305 6" x 6" Machine Mounting Plate (Other Sizes Available)
Installation & Operational Manual

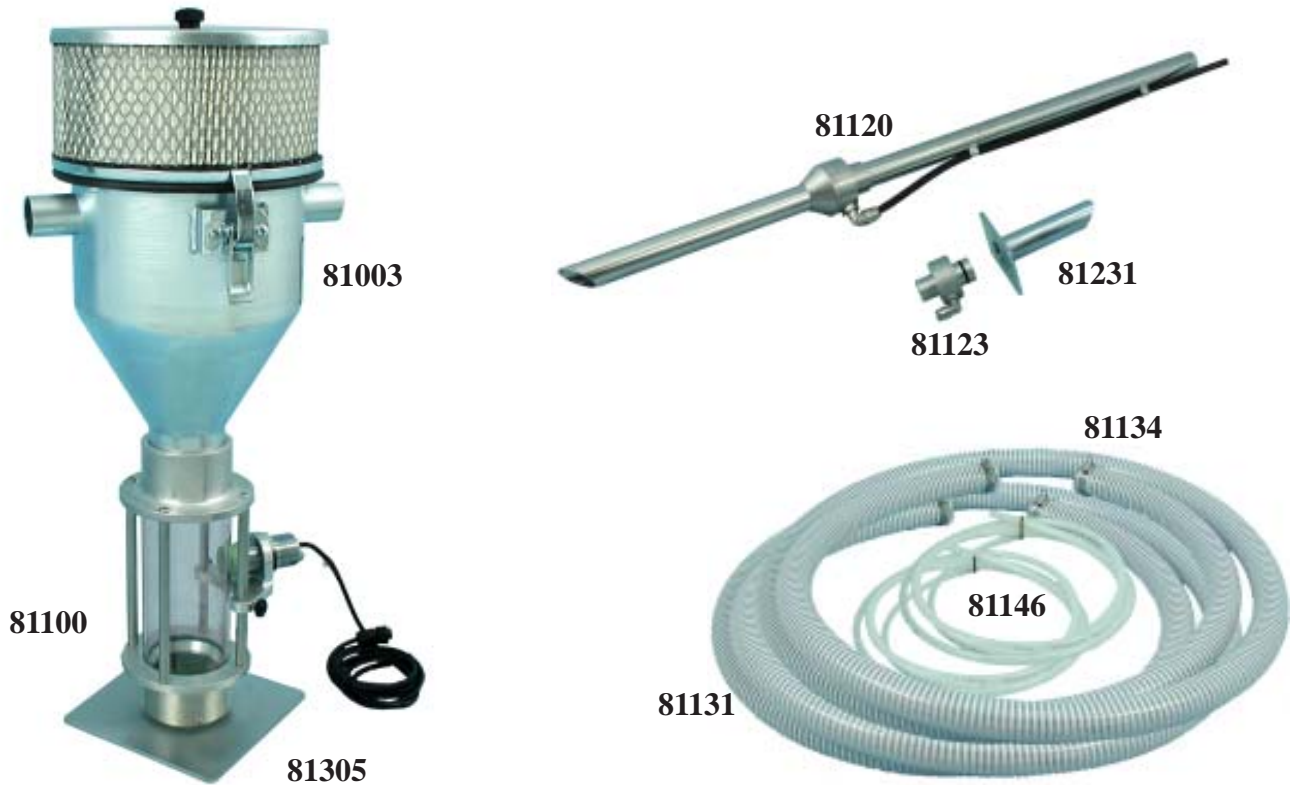


NOTE: Order 80041 for this assembly without 81830 control.

**Back to
Standard Loader
Packages**

80042 DUAL LOADER ASSEMBLY

With 1 1/4" WAND, 1 1/2" ACCELERATOR & GRINDER SPIKE INCLUDES:



- 81003 Hopper Assembly w/Tube for 1 1/4" Hose & 1 1/2" Hose
- 81100 3" Sight Glass w/Sensor
- 81120 1 1/4" Wand
- 81123 1 1/2" Accelerator
- 81131 10 Feet of 1 1/4" Material Transfer Hose w/Clamps
- 81134 10 Feet of 1 1/2" Material Transfer Hose w/Clamps
- 81146 (2) 10 Foot Lengths of 3/8" Air Line Tubing
- 81231 Grinder Spike for 1 1/2" Accelerator
- 81830 Dual Loader Standard Control
- 81305 6" x 6" Machine Mounting Plate (Other Sizes Available)
Installation & Operational Manual



NOTE: Order 80043 for this assembly without 81830 control.

**Back to
Standard Loader
Packages**

80044 DUAL LOADER ASSEMBLY
With 1 1/4" WAND & 1 1/2" COLLECTOR BOX INCLUDES:



- 81003 Hopper Assembly w/Tube for 1 1/4" Hose & 1 1/2" Hose
 - 81100 3" Sight Glass w/Sensor
 - 81120 1 1/4" Wand
 - 81123 1 1/2" Accelerator
 - 81131 10 Feet of 1 1/4" Material Transfer Hose w/Clamps
 - 81134 10 Feet of 1 1/2" Material Transfer Hose w/Clamps
 - 81146 (2) 10 Foot Lengths of 3/8" Air Line Tubing
 - 81830 Dual Loader Standard Control
 - 81900-06 Pickup Tube for 1 1/2" Accelerator
 - 81905 Collector Box for 1 1/2" Accelerator
 - 81305 6" x 6" Machine Mounting Plate (Other Sizes Available)
- Installation & Operational Manual

NOTE: Order 80045 for this assembly without 81830 control.

**Back to
Standard Loader
Packages**

80050 SINGLE HOPPER MOUNT ASSEMBLY
With 1 1/4" WAND INCLUDES:



- 81020 Hopper Assembly w/Flange for 1 1/4" Hose
- 81105 Sensor
- 81120 1 1/4" Wand
- 81132 15 Feet of 1 1/4" Material Transfer Hose w/Clamps
- 81146 10 Feet of 3/8" Air Line Tubing
- 81221 1" Tube w/Flange for Hopper Mounting (Other Sizes Available)
- 81800 Single Loader Standard Control
Installation & Operational Manual



NOTE: Order 80051 for this assembly without 81800 control.

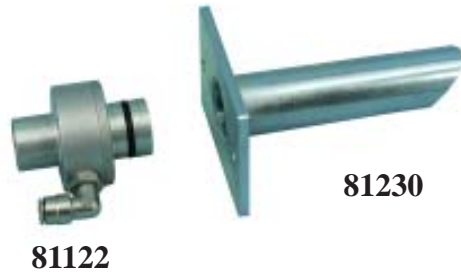
**Back to
Standard Loader
Packages**



80052 SINGLE HOPPER MOUNT ASSEMBLY
With 1 1/4" ACCELERATOR & GRINDER SPIKE INCLUDES:



81020



81122

81230



81221

81105



81132

81146

- 81020 Hopper Assembly w/Flange for 1 1/4" Hose
- 81105 Sensor
- 81122 1 1/4" Accelerator
- 81132 15 Feet of 1 1/4" Material Transfer Hose w/Clamps
- 81146 10 Feet of 3/8" Air Line Tubing
- 81221 1" Tube w/Flange for Hopper Mounting (Other Sizes Available)
- 81230 Grinder Spike for 1 1/4" Accelerator
- 81800 Single Loader Standard Control
Installation & Operational Manual

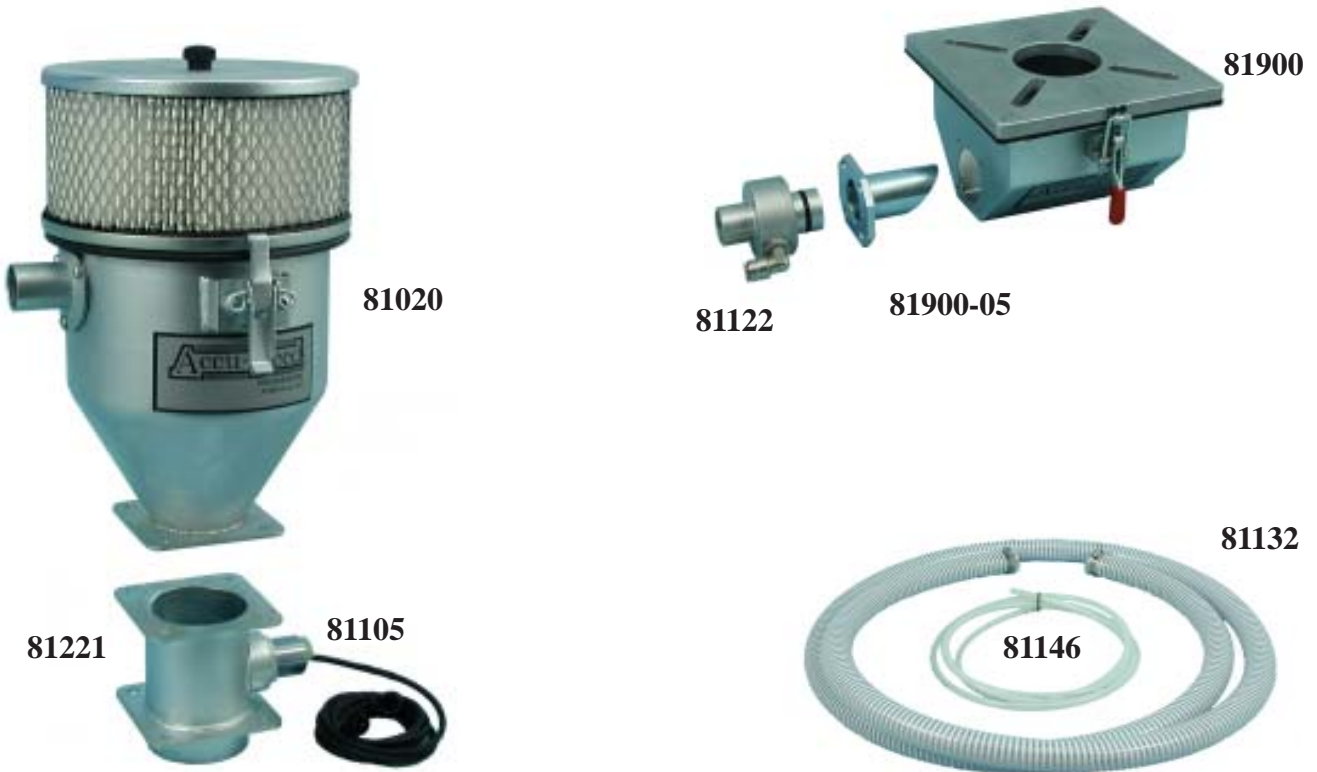


81800

NOTE: Order 80053 for this assembly without 81800 control.

**Back to
Standard Loader
Packages**

80054 SINGLE HOPPER MOUNT ASSEMBLY
With 1 1/4" ACCELERATOR & COLLECTOR BOX INCLUDES:



- 81020 Hopper Assembly w/Flange for 1 1/4" Hose
- 81105 Sensor
- 81122 1 1/4" Accelerator
- 81132 15 Feet of 1 1/4" Material Transfer Hose w/Clamps
- 81146 10 Feet of 3/8" Air Line Tubing
- 81221 1" Tube w/Flange for Hopper Mounting (Other Sizes Available)
- 81800 Single Loader Standard Control
- 81900 Collector Box for 1 1/4" Accelerator
- 81900-05 Pickup Tube for 1 1/4" Accelerator



NOTE: Order 80055 for this assembly without 81800 control.

**Back to
Standard Loader
Packages**

80060 SINGLE HOPPER MOUNT ASSEMBLY
With 1 1/2" WAND INCLUDES:



81021



81121



81221

81105



81135

81146

- 81021 Hopper Assembly w/Flange for 1 1/2" Hose
- 81105 Sensor
- 81121 1 1/2" Wand
- 81135 15 Feet of 1 1/2" Material Transfer Hose w/Clamps
- 81146 10 Feet of 3/8" Air Line Tubing
- 81221 1" Tube w/Flange for Hopper Mounting (Other Sizes Available)
- 81800 Single Loader Standard Control
Installation & Operational Manual



81800

NOTE: Order 80061 for this assembly without 81800 control.

**Back to
Standard Loader
Packages**



80062 SINGLE HOPPER MOUNT ASSEMBLY
With 1 1/2" ACCELERATOR & GRINDER SPIKE INCLUDES:



81021



81123

81231



81221

81105



81135

81146

- 81021 Hopper Assembly w/Flange for 1 1/2" Hose
- 81105 Sensor
- 81123 1 1/2" Accelerator
- 81135 15 Feet of 1 1/2" Material Transfer Hose w/Clamps
- 81146 10 Feet of 3/8" Air Line Tubing
- 81221 1" Tube w/Flange for Hopper Mounting (Other Sizes Available)
- 81231 Grinder Spike for 1 1/2" Accelerator
- 81800 Single Loader Standard Control
Installation & Operational Manual

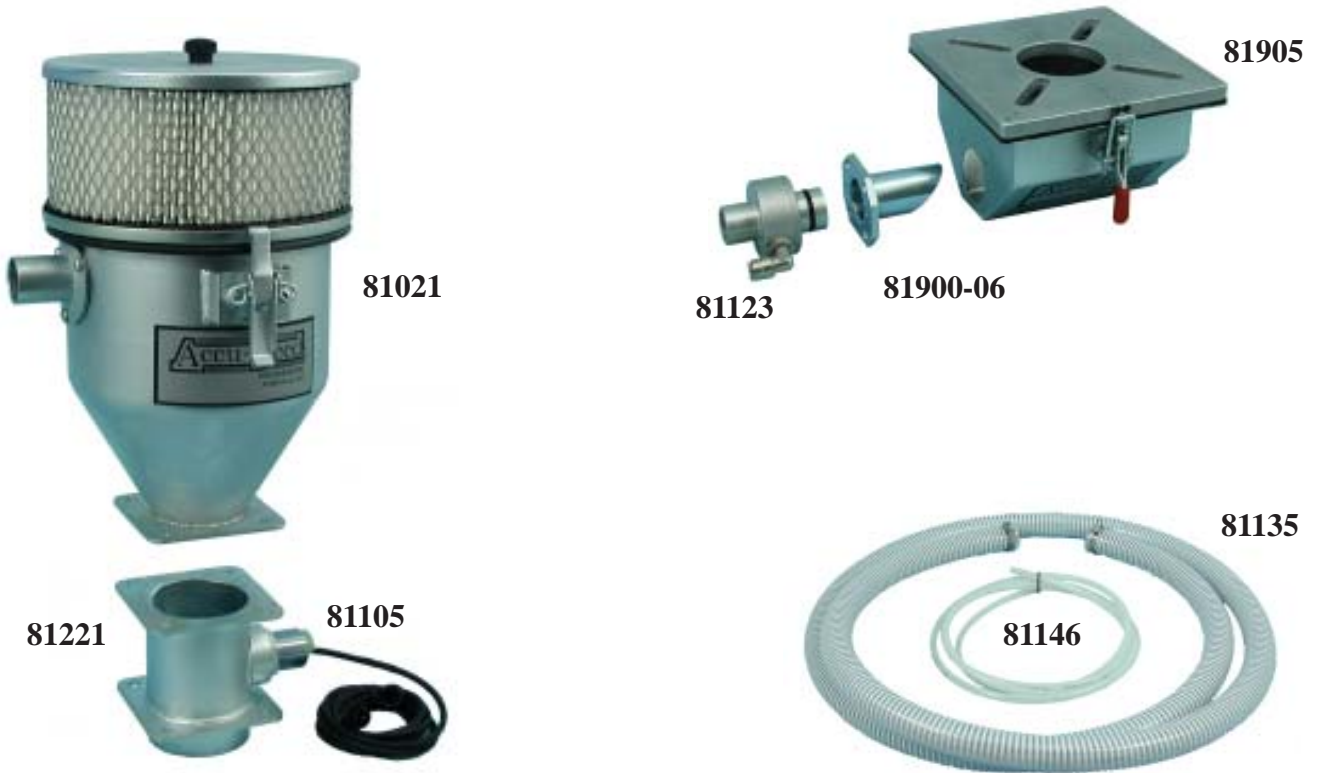


81800

NOTE: Order 80063 for this assembly without 81800 control.

**Back to
Standard Loader
Packages**

80064 SINGLE HOPPER MOUNT ASSEMBLY
With 1 1/2" ACCELERATOR & COLLECTOR BOX INCLUDES:



- 81021 Hopper Assembly w/Flange for 1 1/2" Hose
- 81105 Sensor
- 81123 1 1/2" Accelerator
- 81135 15 Feet of 1 1/2" Material Transfer Hose w/Clamps
- 81146 10 Feet of 3/8" Air Line Tubing
- 81221 1" Tube w/Flange for Hopper Mounting (Other Sizes Available)
- 81800 Single Loader Standard Control
- 81900-06 Pickup Tube for 1 1/2" Accelerator
- 81905 Collector Box for 1 1/2" Accelerator
- Installation & Operational Manual



NOTE: Order 80065 for this assembly without 81800 control.

**Back to
Standard Loader
Packages**

80070 DUAL HOPPER MOUNT ASSEMBLY
With 1 1/4" WANDS INCLUDES:



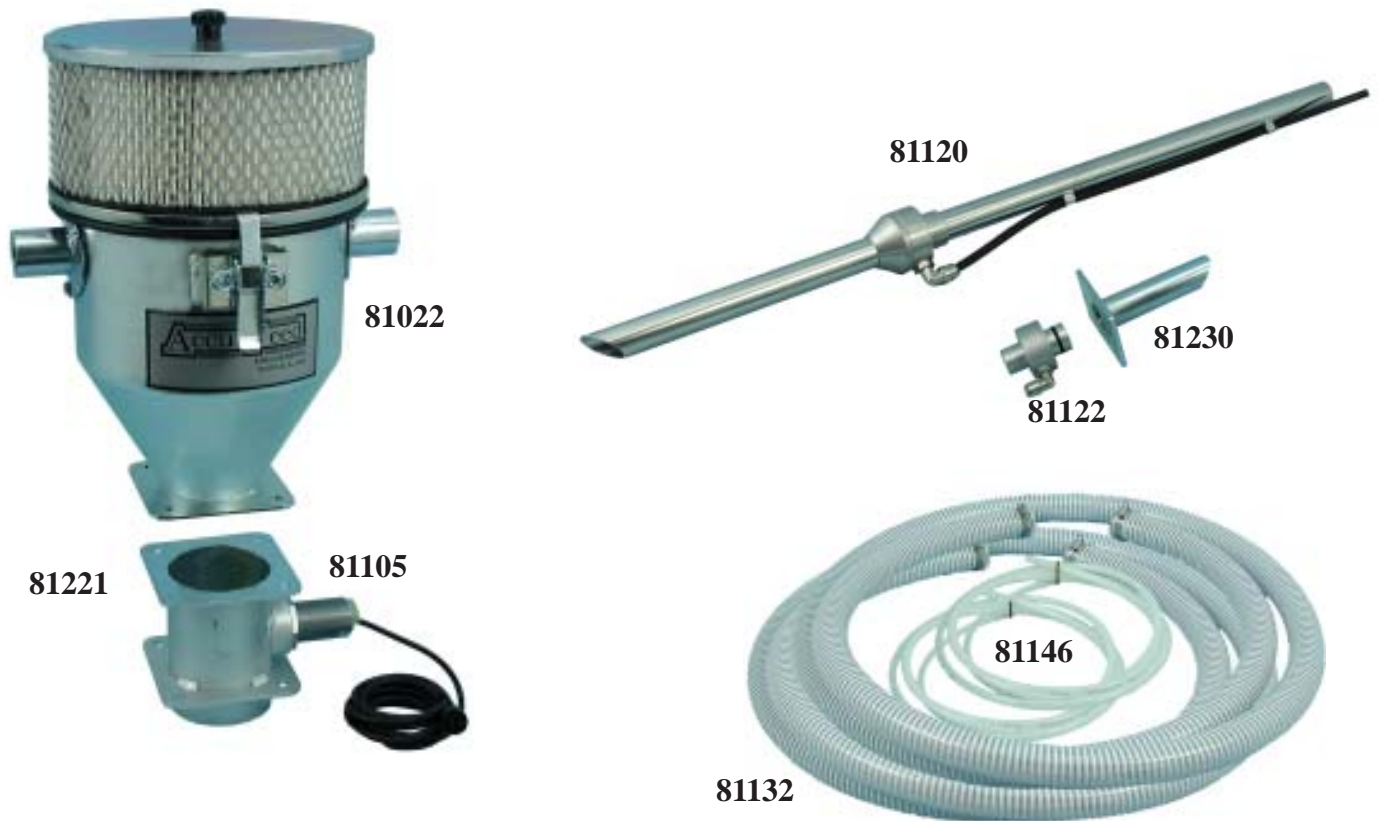
- 81022 Hopper w/Flange for (2) 1 1/4" Hoses
- 81105 Sensor
- 81120 (2) 1 1/4" Wands
- 81132 (2) 15 Foot Lengths of 1 1/4" Material Transfer Hose w/Clamps
- 81146 (2) 10 Foot Lengths of 3/8" Air Line Tubing
- 81221 1" Tube w/Flange for Hopper Mounting (Other Sizes Available)
- 81830 Dual Loader Standard Control
Installation & Operational Manual

NOTE: Order 80071 for this assembly without 81830 control.

**Back to
Standard Loader
Packages**

80072 DUAL HOPPER MOUNT ASSEMBLY

With 1 1/4" WAND, 1 1/4" ACCELERATOR & GRINDER SPIKE INCLUDES:



- 81022 Hopper Assembly w/Flange for (2) 1 1/4" Hoses
- 81105 Sensor
- 81120 1 1/4" Wand
- 81122 1 1/4" Accelerator
- 81132 (2) 15 Foot Lengths of 1 1/4" Material Transfer Hose w/Clamps
- 81146 (2) 10 Foot Lengths of 3/8" Air Line Tubing
- 81221 1" Tube w/Flange for Hopper Mounting (Other Sizes Available)
- 81230 Grinder Spike for 1/1/4" Accelerator
- 81830 Dual Loader Standard Control
Installation & Operational Manual



NOTE: Order 80073 for this assembly without 81830 control.

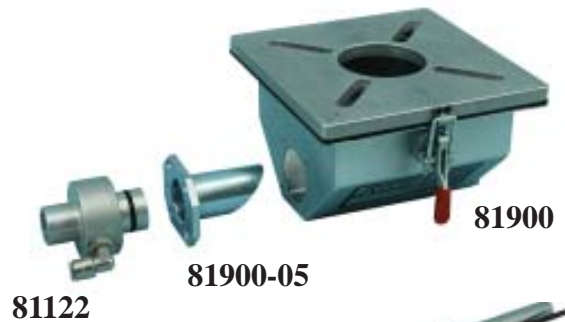
**Back to
Standard Loader
Packages**

Accu-Feed
ENGINEERING

80074 DUAL HOPPER MOUNT ASSEMBLY
With 1 1/4" WAND & 1 1/4" COLLECTOR BOX INCLUDES:



81022



81900

81900-05

81122



81120



81105

81221



81132

81146

- 81022 Hopper Assembly w/Flange for (2) 1 1/4" Hoses
- 81105 Sensor
- 81120 1 1/4" Wand
- 81122 1 1/4" Accelerator
- 81132 (2) 15 Foot Lengths of 1 1/4" Material Transfer Hose w/Clamp
- 81146 (2) 10 Foot Lengths of 3/8" Air Line Tubing
- 81221 1" Tube w/Flange for Hopper Mounting (Other Sizes Available)
- 81830 Dual Loader Standard Control
- 81900 Collector Box for 1 1/4" Accelerator
- 81900-05 Pickup Tube for 1 1/4" Accelerator
- Installation & Operational Manual



81830

NOTE: Order 80075 for this assembly without 81830 control.

**Back to
Standard Loader
Packages**



80080 DUAL HOPPER MOUNT ASSEMBLY
With 1 1/4" WAND & 1 1/2" WAND INCLUDES:



- 81023 Hopper Assembly w/Flange for 1 1/4" Hose & 1 1/2" Hose
- 81105 Sensor
- 81120 1 1/4" Wand
- 81121 1 1/2" Wand
- 81132 15 Feet of 1 1/4" Material Transfer Hose w/Clamps
- 81135 15 Feet of 1 1/2" Material Transfer Hose w/Clamps
- 81146 (2) 10 Foot Lengths of 3/8" Air Line Tubing
- 81221 1" Tube w/Flange for Hopper Mounting (Other Sizes Available)
- 81830 Dual Loader Standard Control
Installation & Operational Manual

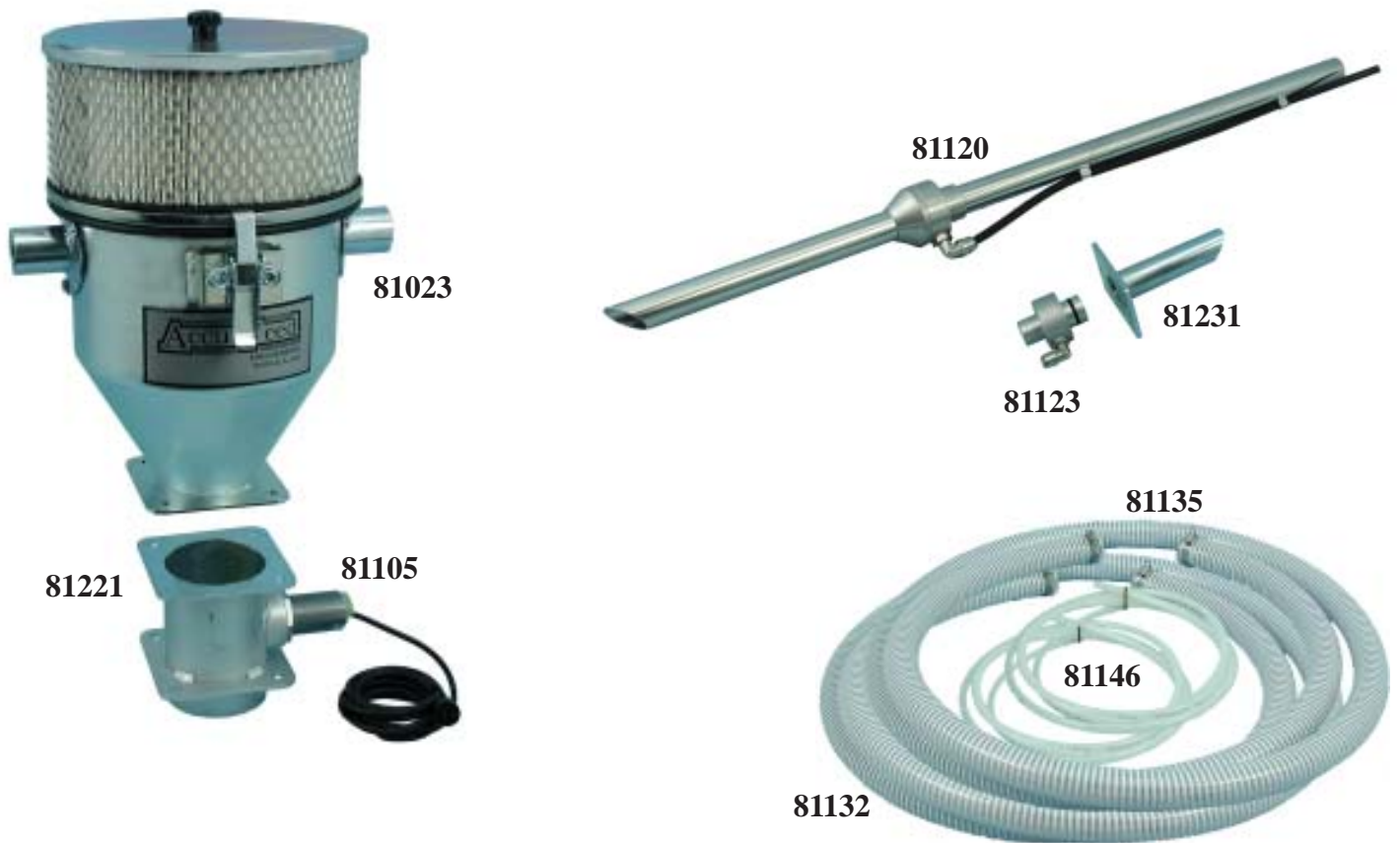


NOTE: Order 80081 for this assembly without 81830 control.

**Back to
Standard Loader
Packages**

80082 DUAL HOPPER MOUNT ASSEMBLY

With 1 1/4" WAND, 1 1/2" ACCELERATOR & GRINDER SPIKE INCLUDES:



- 81023 Hopper Assembly w/Flange for 1 1/4" Hose & 1 1/2" Hose
- 81105 Sensor
- 81120 1 1/4" Wand
- 81123 1 1/2" Accelerator
- 81132 15 Feet of 1 1/4" Material Transfer Hose w/Clamps
- 81135 15 Feet of 1 1/2" Material Transfer Hose w/Clamps
- 81146 (2) 10 Foot Lengths of 3/8" Air Line Tubing
- 81221 1" Tube w/Flange for Hopper Mounting (Other Sizes Available)
- 81231 Grinder Spike for 1/1/2" Accelerator
- 81830 Dual Loader Standard Control
Installation & Operational Manual



NOTE: Order 80083 for this assembly without 81830 control.

**Back to
Standard Loader
Packages**

Accu-Feed
ENGINEERING

80084 DUAL HOPPER MOUNT ASSEMBLY
With 1 1/4" WAND & 1 1/2" COLLECTOR BOX INCLUDES:



- 81023 Hopper Assembly w/Flange for 1 1/4" Hose & 1 1/2" Hose
- 81105 Sensor
- 81120 1 1/4" Wand
- 81123 1 1/2" Accelerator
- 81132 15 Feet of 1 1/4" Material Transfer Hose w/Clamps
- 81135 15 Feet of 1 1/2" Material Transfer Hose w/Clamps
- 81146 (2) 10 Foot Lengths of 3/8" Air Line Tubing
- 81221 1" Tube w/Flange for Hopper Mounting (Other Sizes Available)
- 81830 Dual Loader Standard Control
- 81900-06 Pickup Tube for 1 1/2" Accelerator
- 81905 Collector Box for 1 1/2" Accelerator



NOTE: Order 80085 for this assembly without 81830 control.

**Back to
Standard Loader
Packages**

80086 DUAL HOPPER MOUNT ASSEMBLY
With 1 1/2" WAND & 1 1/2" COLLECTOR BOX INCLUDES:



81024



81905

81900-06

81123



81105

81221



81121



81146

81135

- 81024 Hopper Assembly w/Flange for (2) 1 1/2" Hoses
- 81105 Sensor
- 81121 1 1/2" Wand
- 81123 1 1/2" Accelerator
- 81135 (2) 15 Foot Lengths of 1 1/2" Material Transfer Hose w/Clamps
- 81146 (2) 10 Foot Lengths of 3/8" Air Line Tubing
- 81221 1" Tube w/Flange for Hopper Mounting (Other Sizes Available)
- 81830 Dual Loader Standard Control
- 81900-06 Pickup Tube for 1 1/2" Accelerator
- 81905 Collector Box for 1 1/2" Accelerator
- Installation & Operational Manual



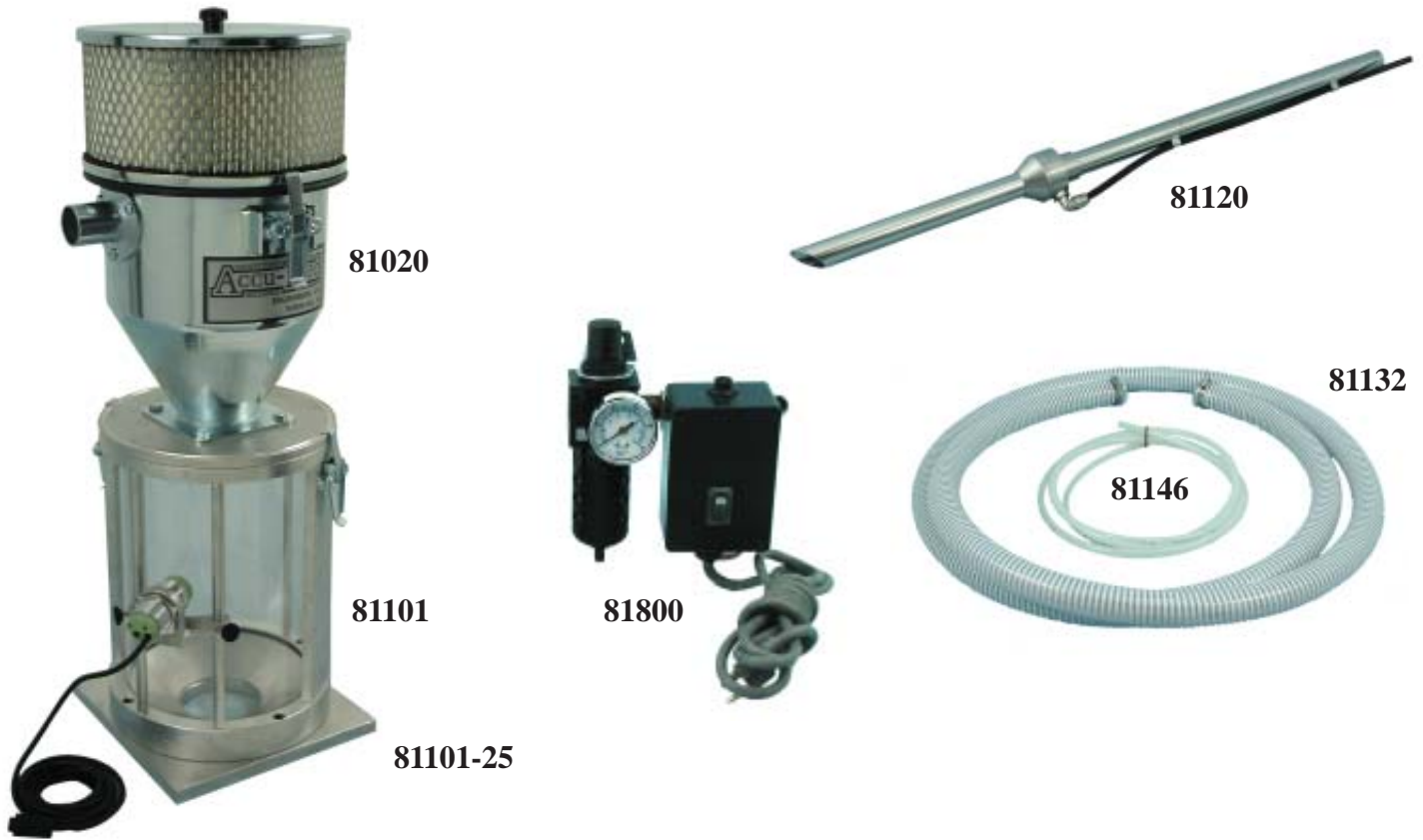
81830

NOTE: Order 80087 for this assembly without 81830 control.

**Back to
Standard Loader
Packages**



**80050-8 SINGLE HOPPER MOUNT ASSEMBLY With 8" SIGHT GLASS
& 1 1/4" WAND INCLUDES:**



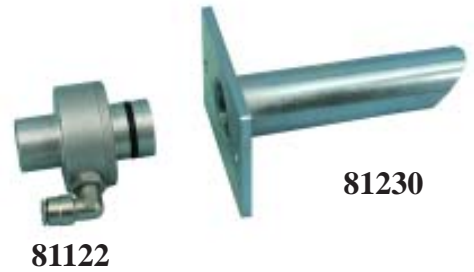
- 81020 Hopper Assembly w/Flange for 1 1/4" Hose
- 81101 8" Sight Glass w/Sensor
- 81101-25 8" x 8" Machine Mounting Plate (Other Sizes Available)
- 81120 1 1/4" Wand
- 81132 15 Feet of 1 1/4" Material Transfer Hose w/Clamps
- 81146 10 Feet of 3/8" Air Line Tubing
- 81800 Single Loader Standard Control
Installation & Operational Manual

**81101-20
Optional Rare
Earth Magnet
Assembly**



NOTE: Order 80051-8 for this assembly without 81800 control.

**80052-8 SINGLE HOPPER MOUNT ASSEMBLY With 8" SIGHT GLASS,
1 1/4" ACCELERATOR & GRINDER SPIKE INCLUDES:**



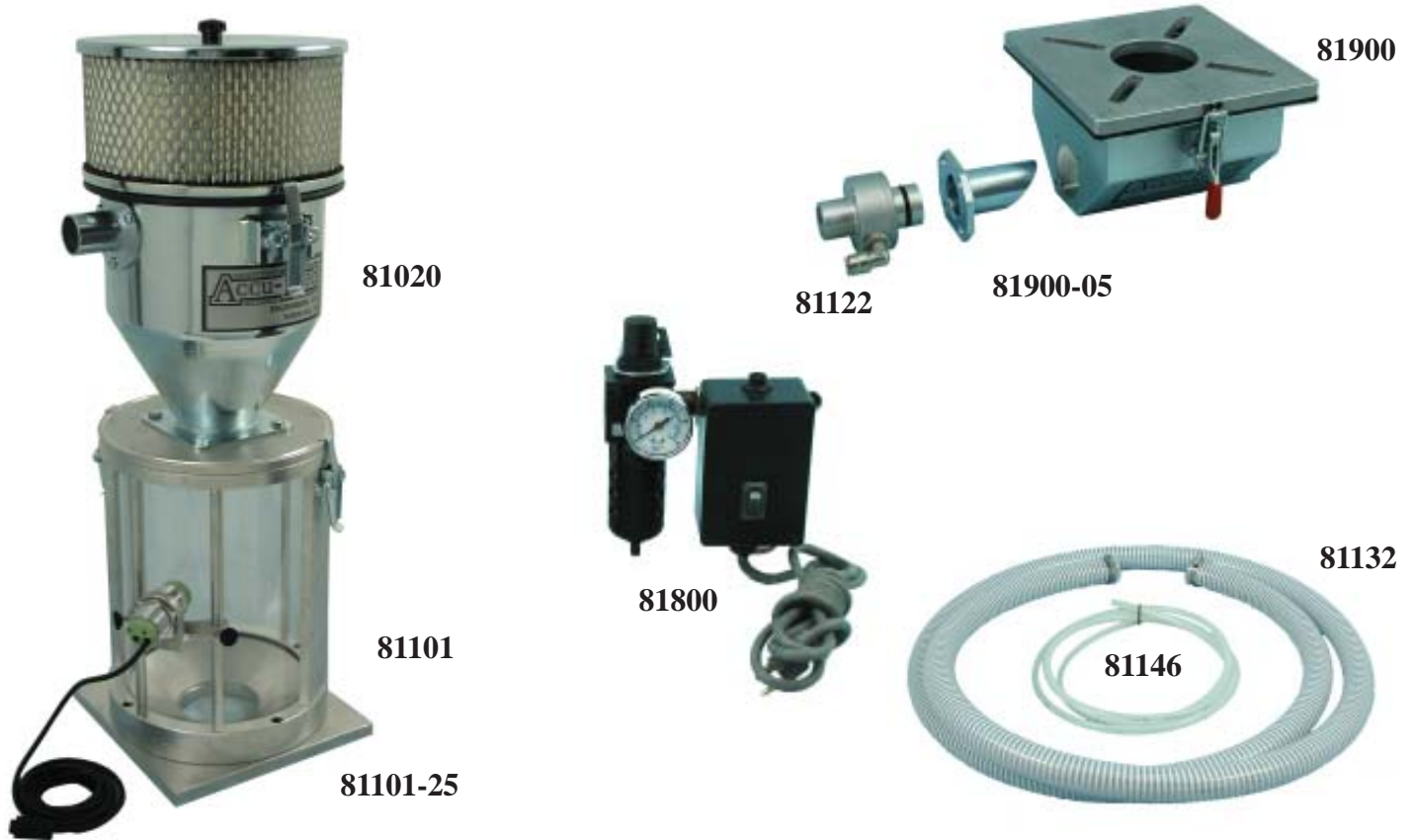
- 81020 Hopper Assembly w/Flange for 1 1/4" Hose
- 81101 8" Sight Glass w/Sensor
- 81101-25 8" x 8" Machine Mounting Plate (Other Sizes Available)
- 81122 1 1/4" Accelerator
- 81132 15 Feet of 1 1/4" Material Transfer Hose w/Clamps
- 81146 10 Feet of 3/8" Air Line Tubing
- 81230 Grinder Spike for 1 1/4" Accelerator
- 81800 Single Loader Standard Control
Installation & Operational Manual

**81101-20
Optional Rare
Earth Magnet
Assembly**



NOTE: Order 80053-8 for this assembly without 81800 control.

**80054-8 SINGLE HOPPER MOUNT ASSEMBLY With 8" SIGHT GLASS,
1 1/4" ACCELERATOR & COLLECTOR BOX INCLUDES:**



- 81020 Hopper Assembly w/Flange for 1 1/4" Hose
- 81101 8" Sight Glass w/Sensor
- 81101-25 8" x 8" Machine Mounting Plate (Other Sizes Available)
- 81122 1 1/4" Accelerator
- 81132 15 Feet of 1 1/4" Material Transfer Hose w/Clamps
- 81146 10 Feet of 3/8" Air Line Tubing
- 81800 Single Loader Standard Control
- 81900 Collector Box for 1 1/4" Accelerator
- 81900-05 Pickup Tube for 1 1/4" Accelerator
- Installation & Operational Manual

**81101-20
Optional Rare
Earth Magnet
Assembly**



NOTE: Order 80055-8 for this assembly without 81800 control.

**80060-8 SINGLE HOPPER MOUNT ASSEMBLY With 8" SIGHT GLASS
& 1 1/2" WAND INCLUDES:**



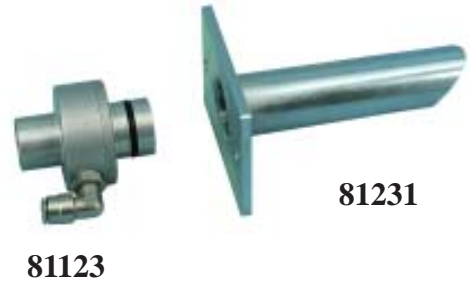
- 81021 Hopper Assembly w/Flange for 1 1/2" Hose
- 81101 8" Sight Glass w/Sensor
- 81101-25 8" x 8" Machine Mounting Plate (Other Sizes Available)
- 81121 1 1/2" Wand
- 81135 15 Feet of 1 1/2" Material Transfer Hose w/Clamps
- 81146 10 Feet of 3/8" Air Line Tubing
- 81800 Single Loader Standard Control
Installation & Operational Manual

**81101-20
Optional Rare
Earth Magnet
Assembly**



NOTE: Order 80061-8 for this assembly without 81800 control.

**80062-8 SINGLE HOPPER MOUNT ASSEMBLY With 8" SIGHT GLASS,
1 1/2" ACCELERATOR & GRINDER SPIKE INCLUDES:**



- 81021 Hopper Assembly w/Flange for 1 1/2" Hose
- 81101 8" Sight Glass w/Sensor
- 81101-25 8" x 8" Machine Mounting Plate (Other Sizes Available)
- 81123 1 1/2" Accelerator
- 81135 15 Feet of 1 1/2" Material Transfer Hose w/Clamps
- 81146 10 Feet of 3/8" Air Line Tubing
- 81231 Grinder Spike for 1 1/2" Accelerator
- 81800 Single Loader Standard Control
Installation & Operational Manual

**81101-20
Optional Rare
Earth Magnet
Assembly**



NOTE: Order 80063-8 for this assembly without 81800 control.

**80064-8 SINGLE HOPPER MOUNT ASSEMBLY With 8" SIGHT GLASS,
1 1/2" ACCELERATOR & COLLECTOR BOX INCLUDES:**



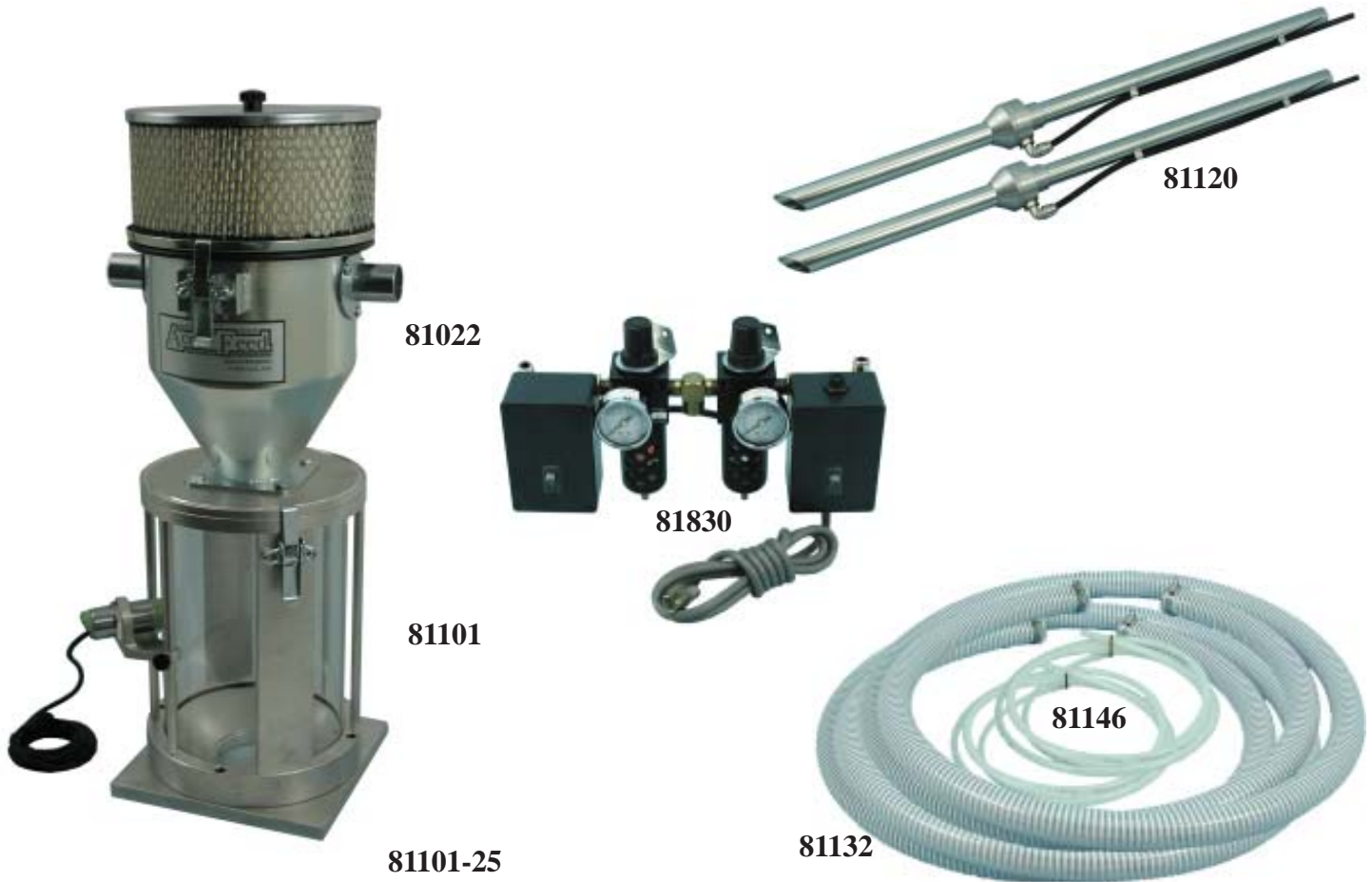
- 81021 Hopper Assembly w/Flange for 1 1/2" Hose
- 81101 8" Sight Glass w/Sensor
- 81101-25 8" x 8" Machine Mounting Plate (Other Sizes Available)
- 81123 1 1/2" Accelerator
- 81135 15 Feet of 1 1/2" Material Transfer Hose w/Clamps
- 81146 10 Feet of 3/8" Air Line Tubing
- 81800 Single Loader Standard Control
- 81900-06 Pickup Tube for 1 1/2" Accelerator
- 81905 Collector Box for 1 1/2" Accelerator

**81101-20
Optional Rare
Earth Magnet
Assembly**



NOTE: Order 80065-8 for this assembly without 81800 control.

**80070-8 DUAL HOPPER MOUNT ASSEMBLY With 8" SIGHT GLASS
& 1 1/4" WANDS INCLUDES:**



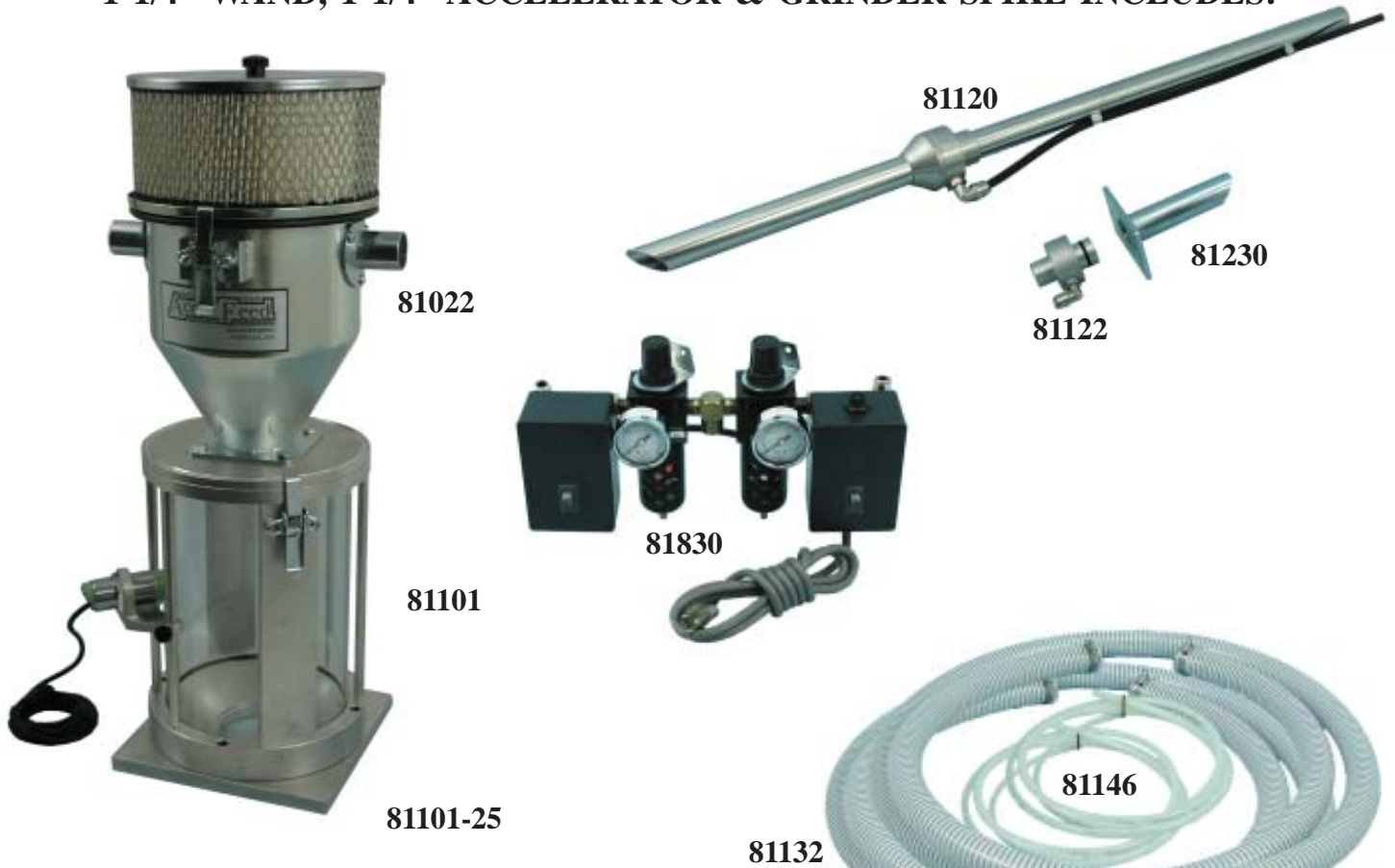
- 81022 Hopper Assembly w/Flange for (2) 1 1/4" Hoses
- 81101 8" Sight Glass w/Sensor
- 81101-25 8" x 8" Machine Mounting Plate (Other Sizes Available)
- 81120 (2) 1 1/4" Wands
- 81132 (2) 15 Foot Lengths of 1 1/4" Material Transfer Hose w/Clamps
- 81146 (2) 10 Foot Lengths of 3/8" Air Line Tubing
- 81830 Dual Loader Standard Control
Installation & Operational Manual



**81101-20
Optional Rare
Earth Magnet
Assembly**

NOTE: Order 80071-8 for this assembly without 81830 control.

**80072-8 DUAL HOPPER MOUNT ASSEMBLY With 8" SIGHT GLASS,
1 1/4" WAND, 1 1/4" ACCELERATOR & GRINDER SPIKE INCLUDES:**

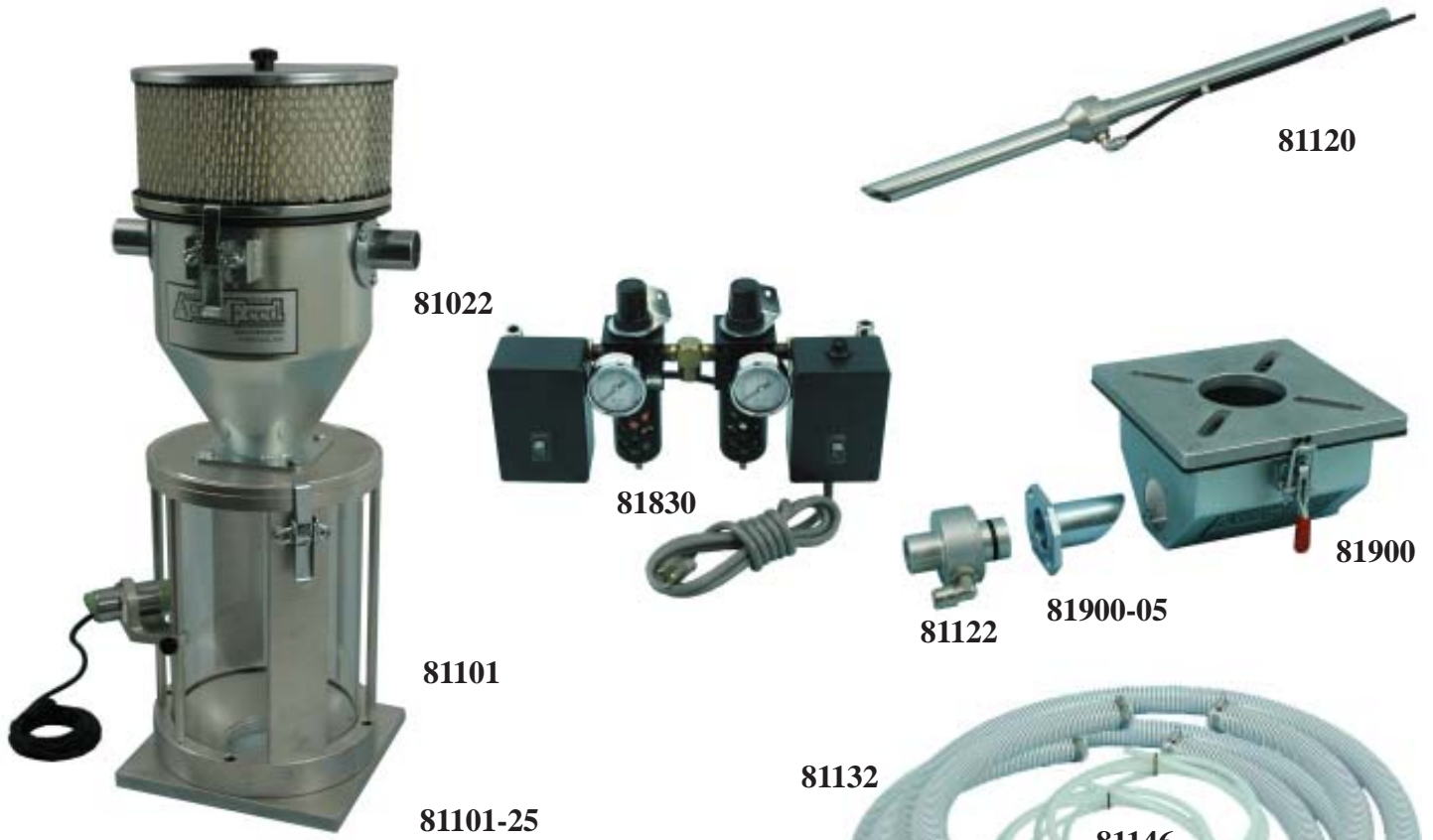


- 81022 Hopper Assembly w/Flange for (2) 1 1/4" Hoses
- 81101 8" Sight Glass w/Sensor
- 81101-25 8" x 8" Machine Mounting Plate (Other Sizes Available)
- 81120 1 1/4" Wand
- 81122 1 1/4" Accelerator
- 81132 (2) 15 Foot Lengths of 1 1/4" Material Transfer Hose w/Clamps
- 81146 (2) 10 Foot Lengths of 3/8" Air Line Tubing
- 81230 Grinder Spike for 1/1/4" Accelerator
- 81830 Dual Loader Standard Control
Installation & Operational Manual

**81101-20
Optional Rare
Earth Magnet
Assembly**

NOTE: Order 80073-8 for this assembly without 81830 control.

**80074-8 DUAL HOPPER MOUNT ASSEMBLY With 8" SIGHT GLASS,
1 1/4" WAND & 1 1/4" COLLECTOR BOX INCLUDES:**



- 81022 Hopper Assembly w/Flange for (2) 1 1/4" Hoses
- 81101 8" Sight Glass w/Sensor
- 81101-25 8" x 8" Machine Mounting Plate (Other Sizes Available)
- 81120 1 1/4" Wand
- 81122 1 1/4" Accelerator
- 81132 (2) 15 Foot Lengths of 1 1/4" Material Transfer Hose w/Clamps
- 81146 (2) 10 Foot Lengths of 3/8" Air Line Tubing
- 81830 Dual Loader Standard Control
- 81900 Collector Box for 1 1/4" Accelerator
- 81900-05 Pickup Tube for 1 1/4" Accelerator
- Installation & Operational Manual

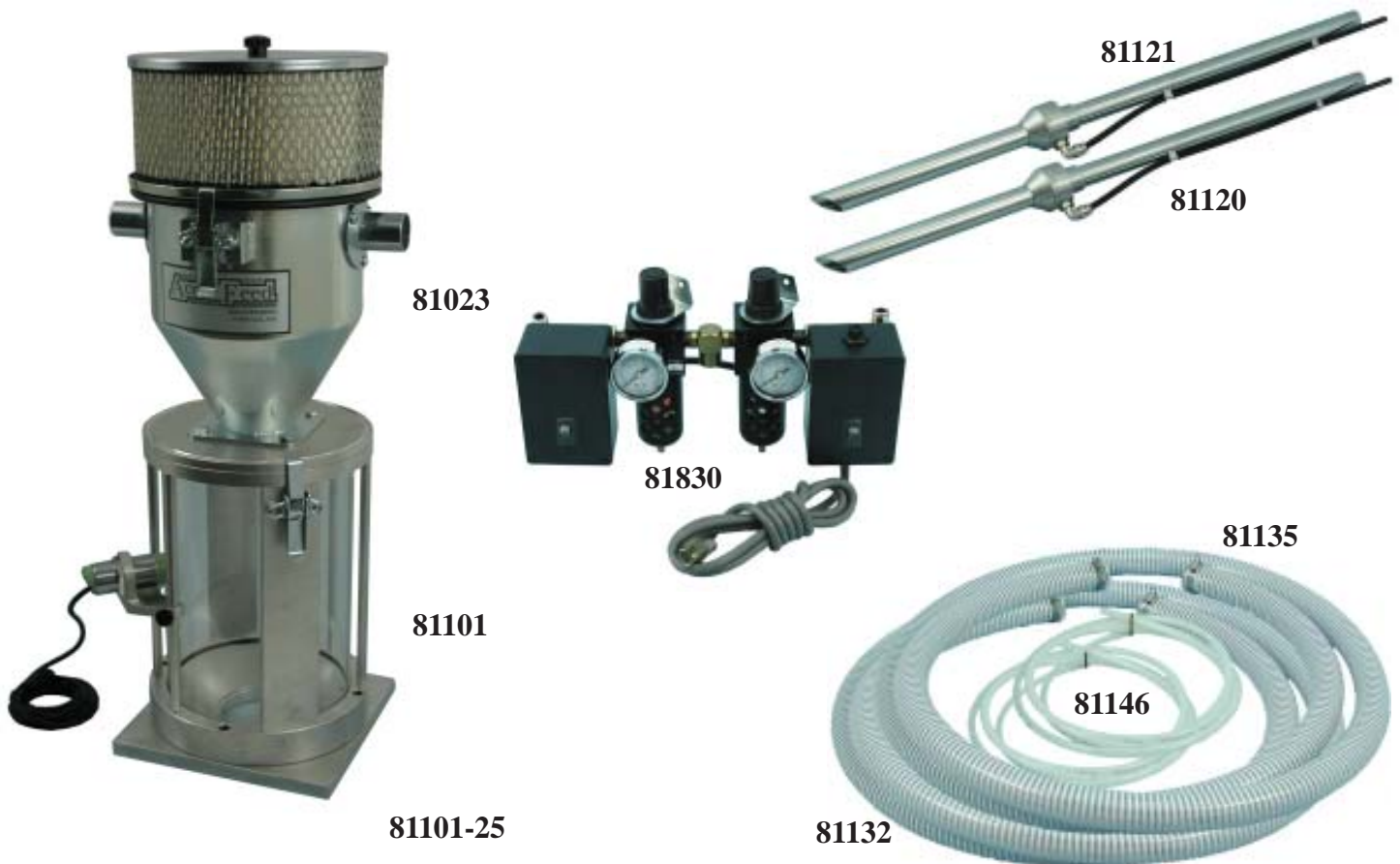
**81101-20
Optional Rare
Earth Magnet
Assembly**



NOTE: Order 80075-8 for this assembly without 81830 control.



**80080-8 DUAL HOPPER MOUNT ASSEMBLY With 8" SIGHT GLASS,
1 1/4" WAND & 1 1/2" WAND INCLUDES:**



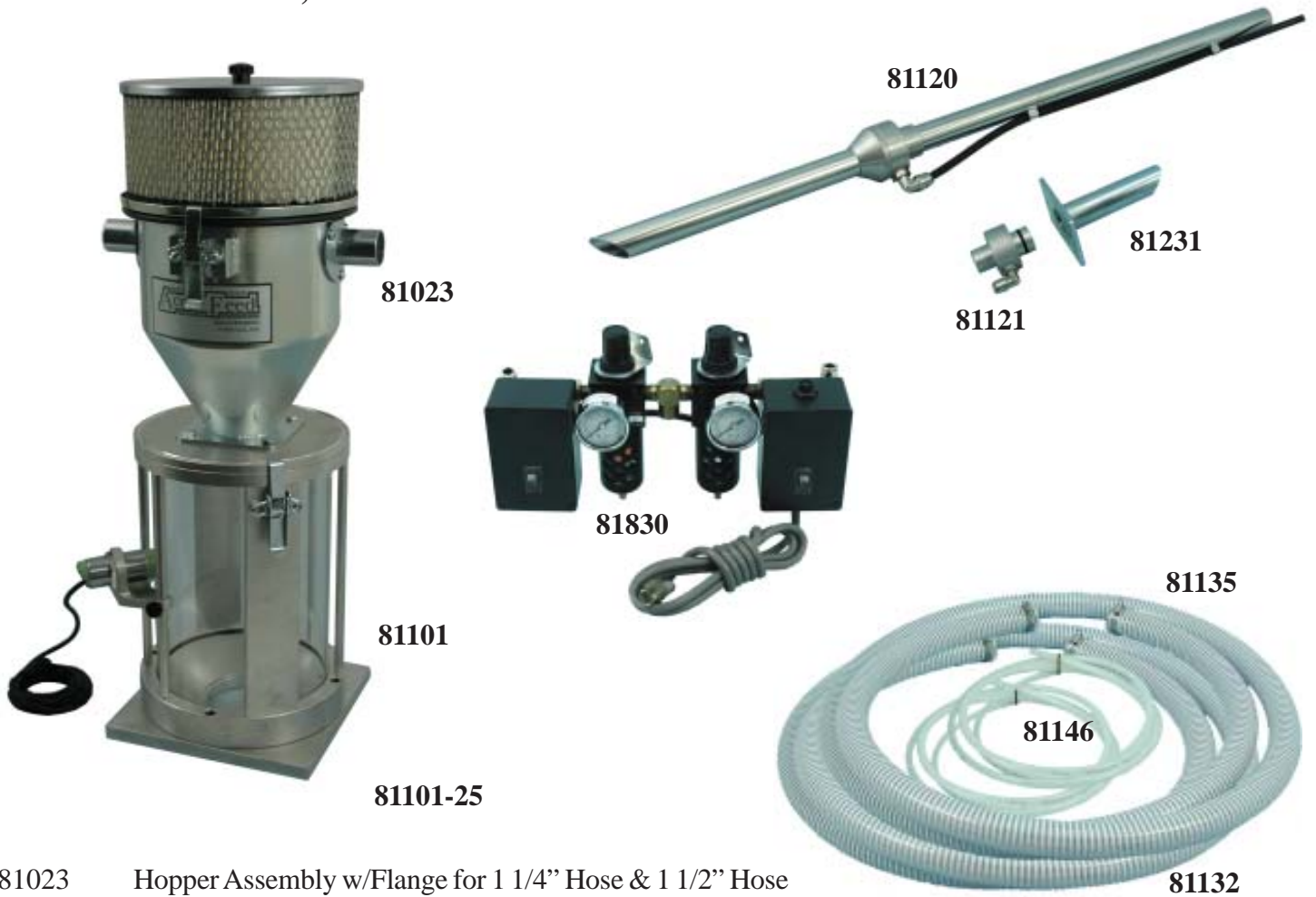
- 81023 Hopper Assembly w/Flange for 1 1/4" Hose & 1 1/2" Hose
- 81101 8" Sight Glass w/Sensor
- 81101-25 8" x 8" Machine Mounting Plate (Other Sizes Available)
- 81120 1 1/4" Wand
- 81121 1 1/2" Wand
- 81132 15 Feet of 1 1/4" Material Transfer Hose w/Clamps
- 81135 15 Feet of 1 1/2" Material Transfer Hose w/Clamps
- 81146 (2) 10 Foot Lengths of 3/8" Air Line Tubing
- 81830 Dual Loader Standard Control
Installation & Operational Manual

**81101-20
Optional Rare
Earth Magnet
Assembly**



NOTE: Order 80081-8 for this assembly without 81830 control.

**80082-8 DUAL HOPPER MOUNT ASSEMBLY With 8" SIGHT GLASS,
1 1/4" WAND, 1 1/2" ACCELERATOR & GRINDER SPIKE INCLUDES:**



- 81023 Hopper Assembly w/Flange for 1 1/4" Hose & 1 1/2" Hose
- 81101 8" Sight Glass w/Sensor
- 81101-25 8" x 8" Machine Mounting Plate (Other Sizes Available)
- 81120 1 1/4" Wand
- 81121 1 1/2" Accelerator
- 81132 15 Feet of 1 1/4" Material Transfer Hose w/Clamps
- 81135 15 Feet of 1 1/2" Material Transfer Hose w/Clamps
- 81146 (2) 10 Foot Lengths of 3/8" Air Line Tubing
- 81231 Grinder Spike for 1/1/2" Accelerator
- 81830 Dual Loader Standard Control
Installation & Operational Manual

**81101-20
Optional Rare
Earth Magnet
Assembly**



NOTE: Order 80083-8 for this assembly without 81830 control.

**80084-8 DUAL HOPPER MOUNT ASSEMBLY With 8" SIGHT GLASS,
1 1/4" WAND & 1 1/2" COLLECTOR BOX INCLUDES:**



81023

81101

81101-25



81830



81120



81905



81900-06

81123



81135

81146

81132

- 81023 Hopper Assembly w/Flange for 1 1/4" Hose & 1 1/2" Hose
- 81101 8" Sight Glass w/Sensor
- 81101-25 8" x 8" Machine Mounting Plate (Other Sizes Available)
- 81120 1 1/4" Wand
- 81123 1 1/2" Accelerator
- 81132 15 Feet of 1 1/4" Material Transfer Hose w/Clamps
- 81135 15 Feet of 1 1/2" Material Transfer Hose w/Clamps
- 81146 (2) 10 Foot Lengths of 3/8" Air Line Tubing
- 81830 Dual Loader Standard Control
- 81900-06 Pickup Tube for 1 1/2" Accelerator
- 81905 Collector Box for 1 1/2" Accelerator

**81101-20
Optional Rare
Earth Magnet
Assembly**



NOTE: Order 80085-8 for this assembly without 81830 control.

**80086-8 DUAL HOPPER MOUNT ASSEMBLY With 8" SIGHT GLASS,
1 1/2" WAND & 1 1/2" COLLECTOR BOX INCLUDES:**



- 81024 Hopper Assembly w/Flange for (2) 1 1/2" Hoses
- 81101 8" Sight Glass w/Sensor
- 81101-25 8" x 8" Machine Mounting Plate (Other Sizes Available)
- 81121 1 1/2" Wand
- 81123 1 1/2" Accelerator
- 81135 (2) 15 Foot Lengths of 1 1/2" Material Transfer Hose w/Clamps
- 81146 (2) 10 Foot Lengths of 3/8" Air Line Tubing
- 81830 Dual Loader Standard Control
- 81900-06 Pickup Tube for 1 1/2" Accelerator
- 81905 Collector Box for 1 1/2" Accelerator

**81101-20
Optional Rare
Earth Magnet
Assembly**

NOTE: Order 80087-8 for this assembly without 81830 control.

LOADER PARTS LIST

81000	Hopper Assembly w/Tube for 1 1/4" Hose
81001	Hopper Assembly w/Tube for 1 1/2" Hose
81002	Hopper Assembly w/Tube for (2) 1 1/4" Hoses
81003	Hopper Assembly w/Tube for 1 1/4" Hose & 1 1/2" Hose
81004	Hopper Assembly w/Tube for (2) 1 1/2" Hoses
81020	Hopper Assembly w/Flange for 1 1/4" Hose
81021	Hopper Assembly w/Flange for 1 1/2" Hose
81022	Hopper Assembly w/Flange for (2) 1 1/4" Hoses
81023	Hopper Assembly w/Flange for 1 1/4" Hose & 1 1/2" Hose
81024	Hopper Assembly w/Flange for (2) 1 1/2" Hoses
81040	Hopper w/Tube for 1 1/4" Hose
81041	Hopper w/Tube for 1 1/2" Hose
81042	Hopper w/Tube for (2) 1 1/4" Hoses
81043	Hopper w/Tube for (1) 1 1/4" Hose & (1) 1 1/2" Hose
81044	Hopper w/Tube for (2) 1 1/2" Hoses
81060	Hopper w/Flange for 1 1/4" Hose
81061	Hopper w/Flange for 1 1/2" Hose
81062	Hopper w/Flange for (2) 1 1/4" Hoses
81063	Hopper w/Flange for (1) 1 1/4" & (1) 1 1/2" Hose
81064	Hopper w/Flange for (2) 1 1/2" Hoses
81080	Baffle Assembly
16521	Autoload Jr Filter Adapter
81081	Air Filter (8" OD x 6 1/2" ID x 4")
81081-OS	Air Filter (7 1/4" OD x 3" ID x 4 15/16")
81082	Filter Cover w/Knob Assembly
81083	Filter Knob Assembly
81084	Filter Stud & Nut
81085	Screen Plate w/Gasket
81085-01	Screen Plate Gasket
81086	Latch (Filter Hold Down)
81087	Hopper Gasket
81090	Filter Bag Assembly for Standard Loader (12" x 20") (Cover, Clamp, Bag & Closure Bar)



81090-01	Filter Bag Assembly for Mini-Loader (8 1/2" x 12") (Cover, Clamp, Bag & Closure Bar)
81092	Filter Bag for Standard Loader (12" x 20")
81092-01	Filter Bag for Mini-Loader (8 1/2" x 12")
81093	Closure Bar for Filter Bag (12" x 20" Standard Loader Bag)
81093-01	Closure Bar for Filter Bag (8 1/2" x 12" Mini-Loader Bag)
81097	Filter Bag Cover w/Knob Assembly
81100	3" Polycarbonate Sight Glass Assembly w/Sensor
81100-G	3" Glass Sight Glass Assembly w/Sensor
81100-01	End Bell for 3" Sight Glass
81100-03	Support Rods for 3" Sight Glass
81100-04	Tube (Polycarbonate) for 3" Sight Glass
81100-04-G	Tube (Glass) for 3" Sight Glass
81100-05	Tube Seal for 3" Sight Glass
81100-06	End Bell O-Ring for 3" Sight Glass
81100-07	Sensor Bracket for 3" Sight Glass
81100-08	Adjustment Knob for 3" Sight Glass
81101	8" Sight Glass Assembly w/Sensor
81101-10	Magnet Clips (2) for 8" Sight Glass
81101-12	Tube (Polycarbonate) for 8" Sight Glass
81101-13	Tube Seals (2) for 8" Sight Glass
81101-20	Magnet for 8" Sight Glass
81101-25	8" x 8" Mounting Plate for 8" Sight Glass
81101-26	10" x 10" Mounting Plate for 8" Sight Glass
81101-28	Sensor Bracket for 8" Sight Glass
81105-10	Standard Material Loader Sensor w/6' Long Cable
81105-11	Material Loader Sensor w/12' Lengthened Cable
81105-12	Hopper Disconnect Sensor w/3" Cable (Use with 81105-14 12' Extender Cable)
81105-13	6' Long Sensor Extender Cable
81105-14	12' Long Sensor Extender Cable
81110	Sight Glass Magnet (Tube Style) O/S
81110-01	Magnet Hole Plug
81111	Sight Glass Drop-In Magnet
81115	Hopper Drop-In Magnet
81120	1 1/4" Wand



81120-01	1 1/4" Wand w/Inlet Tube Guard
81121	1 1/2" Wand
81121-01	1 1/2" Wand w/Inlet Tube Guard
81122	1 1/4" Accelerator
81123	1 1/2" Accelerator
81126	1 1/4" Wear-Resistant Wand
81127	1 1/2" Wear-Resistant Wand
81128	1 1/4" Wear-Resistant Accelerator
81129	1 1/2" Wear-Resistant Accelerator
81130	One Foot of 1 1/4" Material Transfer Hose
81131	Ten Feet of 1 1/4" Material Transfer Hose w/Clamps
81132	Fifteen Feet of 1 1/4" Material Transfer Hose w/Clamps
81133	One Foot of 1 1/2" Material Transfer Hose
81134	Ten Feet of 1 1/2" Material Transfer Hose w/Clamps
81135	Fifteen Feet of 1 1/2" Material Transfer Hose w/Clamps
81136	One Foot of 2" Material Transfer Hose
81137	Ten Feet of 2" Material Transfer Hose
81138	Hose Clamp (1 1/2" Material Transfer Hose)
81139	Hose Clamp (1 1/4" Material Transfer Hose)
81140	One Foot of 1/4" Plastic Air Line Tubing
81141	Ten Feet of 1/4" Plastic Air Line Tubing
81145	One Foot of 3/8" Plastic Air Line Tubing
81146	Ten Feet of 3/8" Plastic Air Line Tubing
81147	Fifteen Feet of 3/8" Plastic Air Line Tubing
81160	Vibrator Assembly w/Clamps for 1 1/4" Wand
81161	Vibrator Assembly w/Clamps for 1 1/2" Wand
81162	Vibrator
81168	Clamps for 1 1/4" Wand Vibrator
81169	Clamps for 1 1/2" Wand Vibrator
81180	Material Shut-off Valve for use w/Flanged Hopper
81180-01	Shut-off Valve Top Plate
81180-12	Tube Adapter Plate
81181	Material Shut-off Valve for use w/Tube Hopper
81200	11000 Series Base Unit Mounting Plate w/o Clamps



81201	11000 Series Base Unit Mounting Plate w/Clamps
81202	12000 Series Feeder Mounting Plate w/o Clamps
81203	12000 Series Feeder Mounting Plate w/Clamps
81204	50500 Series Base Unit Mounting Plate
81205	50500 Series Feeder Mounting Plate
81206	50500 Series Feeder 4" Offset Adapter
81207	50500 Series Feeder 6" Offset Adapter
81219	Tube for Mounting Sight Glass Assembly on Regular Hopper
81220	Tube for Mounting Sight Glass Assembly on Drying Hopper
81221	1" Tube w/Flange for Hopper Mounting
81222	6" Tube w/Flange for Hopper Mounting (Drying Hopper)
81223	9" Tube w/Flange for Hopper Mounting (Drying Hopper)
81224	12" Tube w/Flange for Hopper Mounting (Drying Hopper)
81227	6" x 6" Plate for Tube w/Flange (To Cover Large Opening In Hopper)
81228	8" x 8" Plate for Tube w/Flange (To Cover Large Opening In Hopper)
81229	10" x 10" Plate for Tube w/Flange (To Cover Large Opening In Hopper)
81230	Grinder Spike for 1 1/4" Accelerator
81231	Grinder Spike for 1 1/2" Accelerator
81280	Remote Filter Assembly (30 Gallon)
81280-04	Filter Bag (30 Gallon Remote Filter Assembly)
81282	Remote Filter Assembly (5 Gallon)
81282-05	Filter Bag (5 Gallon Remote Filter Assembly)
81283	2" Y for Remote Filter Assembly
81300	5" x 5" Blank Machine Mounting Plate
81305	6" x 6" Blank Machine Mounting Plate
81310	7" x 7" Blank Machine Mounting Plate
81315	8" x 8" Blank Machine Mounting Plate
81320	10" x 10" Blank Machine Mounting Plate
81321	12" x 12" Blank Machine Mounting Plate
81800	Single Loader Standard Control
81800-1/2	Single Loader Standard Control w/1/2" Filter Regulator
81805	Single Loader Standard Control w/Low Level Alarm
81816	Single Loader Control w/Timer & Shut-off Valve Circuit
81830	Dual Loader Proportional Control (2 Tubes, 1 Sensor)

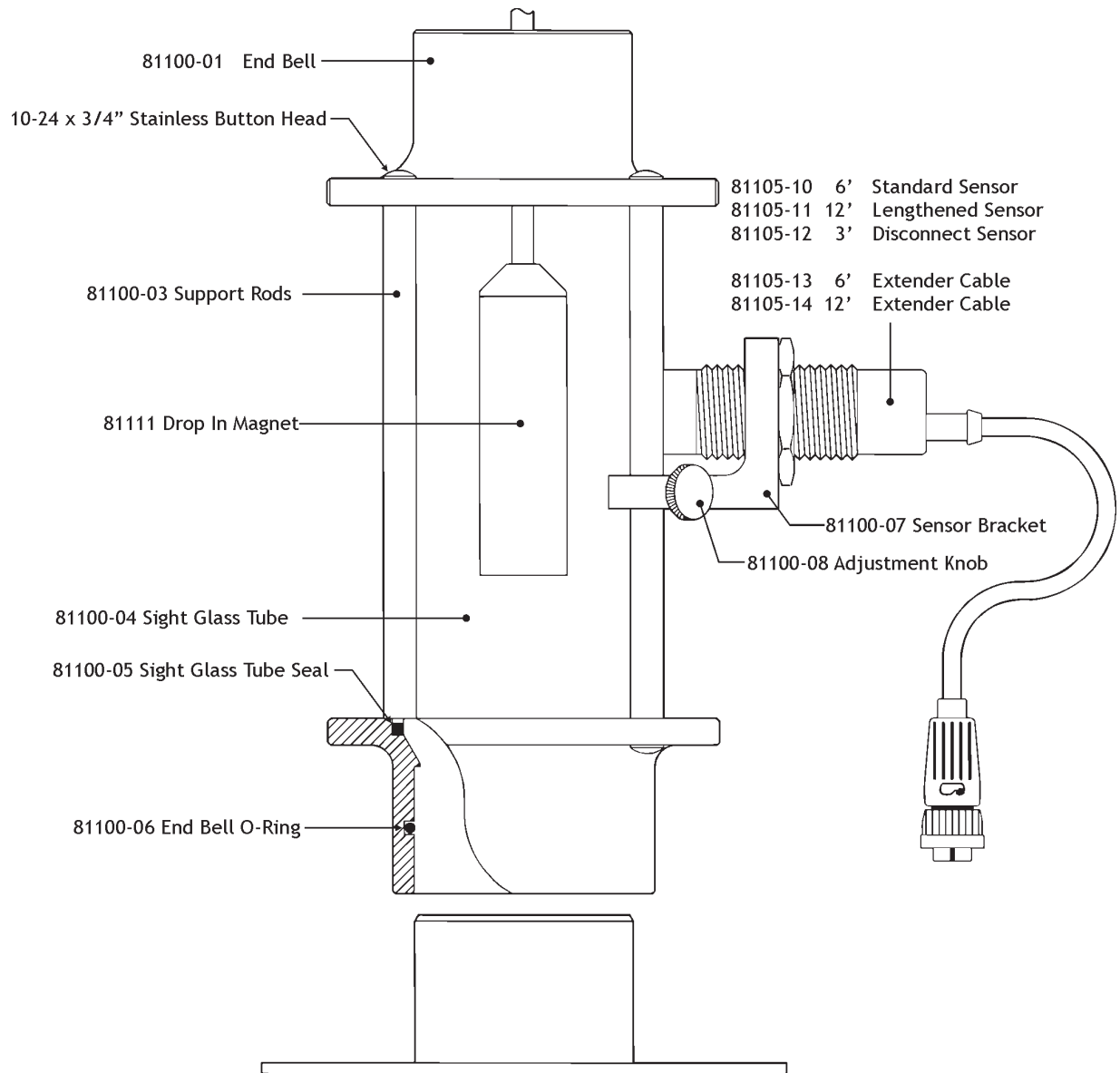


81832	Dual Loader Standard Control (2 Loaders, 2 Sensors)
81900	Collector Box for 1 1/4" Accelerator
81900-01	8" Top Mounting Plate
81900-05	Pickup Tube for 1 1/4" Accelerator
81900-06	Pickup Tube for 1 1/2" Accelerator
81900-07	Clamp Spacer
81900-08	Strike Plate
81900-09	Tube Block-Off Plate
81900-10	Toggle Clamp
81900-11	Gasket for 81900 Collector Box
81901	10" Top Mounting Plate
81905	Collector Box for 1 1/2" Accelerator
81910	Collector Box for (2) 1 1/4" Accelerators
81915	Collector Box for (2) 1 1/2" Accelerators
81930	Blank Large Collector Box (3 1/2" to 8" Bolt Pattern)
81930-01	12" Top Mounting Plate (3 1/2" to 8" Bolt Pattern)
81930-10	Gasket for 81930 Large Collector Box
81931	Large Collector Box for 1 1/4" Accelerator
81932	Large Collector Box for (2) 1 1/4" Accelerators
81933	Large Collector Box for (3) 1 1/4" Accelerators
81934	Large Collector Box for (4) 1 1/4" Accelerators
81935	Large Collector Box for 1 1/2" Accelerator
81936	Large Collector Box for (2) 1 1/2" Accelerators
81937	Large Collector Box for (3) 1 1/2" Accelerators
81938	Large Collector Box for (4) 1 1/2" Accelerators
83000	Mini-Loader w/Sight Glass
83020-05	Sight Glass Tube (Mini-Loader)
83020-20	Inlet Tube & Sensor Body (Mini-Loader)
83020-21	Sight Glass Assembly (Mini-Loader)
83040	6" x 6" Machine Mounting Plate
83043	8" x 8" Machine Mounting Plate
83044	10" x 10" Machine Mounting Plate
83045	6" x 6" Hopper Mounting Plate
83047	8" x 8" Hopper Mounting Plate



83048	4" x 4" Hopper Mounting Plate
83050	1" Tube w/Flange for Hopper Mounting
83050-01	6" Tube w/Flange for Hopper Mounting
83050-02	9" Tube w/Flange for Hopper Mounting
83050-03	12" Tube w/Flange for Hopper Mounting
18-101	3/8" Air Valve w/120 Volt Solenoid
18-101-01	120 Volt Solenoid
18-103-E	Air Gauge 0-100 P.S.I. (1 1/2")
99-13-139	2 Pin Panel Socket (Conxall)
99-13-140	2 Pin Cable Plug w/Strain Relief (Conxall)
99-13-141	2 Pin Cable to Cable Connector w/Strain Relief

81100 3" SIGHT GLASS w/SENSOR

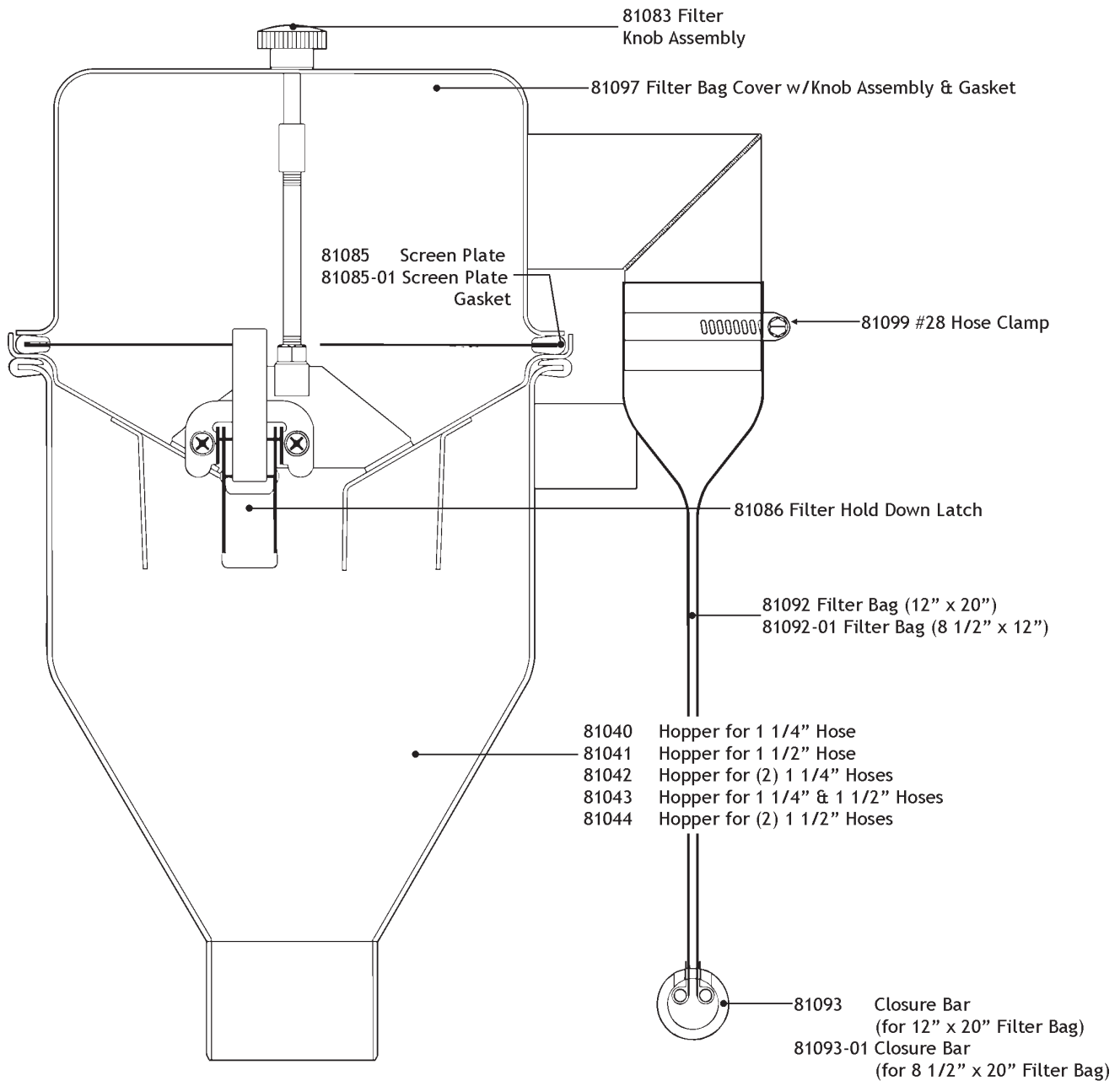


<u>Sight Glass Mounting Plates</u>	
81200	11000 Series Base Unit Mounting Plate w/o Clamps
81201	11000 Series Base Unit Mounting Plate w/Clamps
81202	12000 Series Base Unit Mounting Plate w/o Clamps
81203	12000 Series Base Unit Mounting Plate w/Clamps
81204	50500 Series Base Unit Mounting Plate
81205	50500 Series Feeder Mounting Plate
81300	5" x 5" Blank Machine Mounting Plate
81305	6" x 6" Blank Machine Mounting Plate
81310	7" x 7" Blank Machine Mounting Plate
81315	8" x 8" Blank Machine Mounting Plate
81320	10" x 10" Blank Machine Mounting Plate

Blank Plates Will Be Drilled At No Charge If You Supply The Required Bolt Pattern



81000 SERIES HOPPER ASSEMBLIES w/FILTER BAG OPTION



81000 Series Complete Hopper Assemblies

81000	Hopper Assembly w/Tube for 1 1/4" Hose
81001	Hopper Assembly w/Tube for 1 1/2" Hose
81002	Hopper Assembly w/Tube for (2) 1 1/4" Hoses
81003	Hopper Assembly w/Tube for 1 1/4" & 1 1/2" Hoses
81004	Hopper Assembly w/Tube for (2) 1 1/2" Hoses

Accu-Feed
ENGINEERING

81020 SERIES HOPPER ASSEMBLIES w/FLANGE

