

---

# Accu-Feed

ENGINEERING

P.O. Box 404 - 50 Newton Street - Norwalk, OH 44857-0404  
Phone: 1-888-844-2228 Fax: 1-888-717-2228  
Email: [info@accu-feed.com](mailto:info@accu-feed.com)  
[www.accu-feed.com](http://www.accu-feed.com)

## MINI-FEEDERS



<b>Mini-Feeder Packages</b>	<b>2</b>
<b>Mini-Feeder Assembly Sheets</b>	
1/2" x 1/4" Auger Feeders	7
1/2" x 1/2" Auger Feeders	11
3/4" x 1/2" Auger Feeders	15
3/4" x 3/4" Auger Feeders	19
1" x 1/2" Auger Feeders	23
1" x 3/4" Auger Feeders	27
1" x 1" Auger Feeders	31
1 1/4" x 1" Auger Feeders	35
<b>Mini-Feeder Auger Assemblies</b>	<b>39</b>
<b>Mini-Feeder Augers &amp; Inserts</b>	<b>40</b>
<b>Magnets</b>	<b>41</b>
<b>Parts Listing</b>	<b>42</b>
<b>Intermixer Information</b>	<b>44</b>

---

---

## **50500 MINI-FEEDER PACKAGES**

### **50011 1/2" x 1/4" AUGER MINI-FEEDER PACKAGE INCLUDES:**

50538 Standard Base Mounting Unit w/Windows  
50500 Main Body Unit  
50561 Offset Hopper w/Split Cover & Shut-off Slide  
50528-01 1/2" x 1/4" Polished Auger  
50529-01 3/4" Bore Auger Insert

### **50012 1/2" x 1/4" AUGER MINI-FEEDER PACKAGE INCLUDES:**

50538 Standard Base Mounting Unit w/Windows  
50500 Main Body Unit  
50528-01 1/2" x 1/4" Polished Auger  
50529-01 3/4" Bore Auger Insert

### **50014 1/2" x 1/4" AUGER MINI-FEEDER PACKAGE INCLUDES:**

50500 Main Body Unit  
50561 Offset Hopper w/Split Cover & Shut-off Slide  
50528-01 1/2" x 1/4" Polished Auger  
50529-01 3/4" Bore Auger Insert

### **50015 1/2" x 1/4" AUGER MINI-FEEDER PACKAGE INCLUDES:**

50500 Main Body Unit  
50528-01 1/2" x 1/4" Polished Auger  
50529-01 3/4" Bore Auger Insert

### **50021 1/2" x 1/2" AUGER MINI-FEEDER PACKAGE INCLUDES:**

50538 Standard Base Mounting Unit w/Windows  
50500 Main Body Unit  
50561 Offset Hopper w/Split Cover & Shut-off Slide  
50528-02 1/2" x 1/2" Polished Auger  
50529-01 3/4" Bore Auger Insert

### **50022 1/2" x 1/2" AUGER MINI-FEEDER PACKAGE INCLUDES:**

50538 Standard Base Mounting Unit w/Windows  
50500 Main Body Unit  
50528-02 1/2" x 1/2" Polished Auger  
50529-01 3/4" Bore Auger Insert

**TO METER REGRIND SENSOR #14112-10 IS REQUIRED AT AN ADDITIONAL CHARGE OF \$ 145.00**



---

**50024 1/2" x 1/2" AUGER MINI-FEEDER PACKAGE INCLUDES:**

50500 Main Body Unit  
50561 Offset Hopper w/Split Cover & Shut-off Slide  
50528-02 1/2" x 1/2" Polished Auger  
50529-01 3/4" Bore Auger Insert

**50025 1/2" x 1/2" AUGER MINI-FEEDER PACKAGE INCLUDES:**

50500 Main Body Unit  
50528-02 1/2" x 1/2" Polished Auger  
50529-01 3/4" Bore Auger Insert

**50031 3/4" x 1/2" AUGER MINI-FEEDER PACKAGE INCLUDES:**

50538 Standard Base Mounting Unit w/Windows  
50500 Main Body Unit  
50561 Offset Hopper w/Split Cover & Shut-off Slide  
50528-03 3/4" x 1/2" Polished Auger  
50529-03 1" Bore Auger Insert

**50032 3/4" x 1/2" AUGER MINI-FEEDER PACKAGE INCLUDES:**

50538 Standard Base Mounting Unit w/Windows  
50500 Main Body Unit  
50528-03 3/4" x 1/2" Polished Auger  
50529-03 1" Bore Auger Insert

**50034 3/4" x 1/2" AUGER MINI-FEEDER PACKAGE INCLUDES:**

50500 Main Body Unit  
50561 Offset Hopper w/Split Cover & Shut-off Slide  
50528-03 3/4" x 1/2" Polished Auger  
50529-03 1" Bore Auger Insert

**50035 3/4" x 1/2" AUGER MINI-FEEDER PACKAGE INCLUDES:**

50500 Main Body Unit  
50528-03 3/4" x 1/2" Polished Auger  
50529-03 1" Bore Auger Insert

**TO METER REGRIND SENSOR #14112-10 IS REQUIRED AT AN ADDITIONAL CHARGE OF \$ 145.00**



---

**50041 3/4" x 3/4" AUGER MINI-FEEDER PACKAGE INCLUDES:**

50538 Base Mounting Unit w/Windows  
50500 Main Body Unit  
50561 Offset Hopper w/Split Cover & Shut-off Slide  
50528-04 3/4" x 3/4" Polished Auger  
50529-03 1" Bore Auger Insert

**50042 3/4" x 3/4" AUGER MINI-FEEDER PACKAGE INCLUDES:**

50538 Standard Base Mounting Unit w/Windows  
50500 Main Body Unit  
50528-04 3/4" x 3/4" Polished Auger  
50529-03 1" Bore Auger Insert

**50044 3/4" x 3/4" AUGER MINI-FEEDER PACKAGE INCLUDES:**

50500 Main Body Unit  
50561 Offset Hopper w/Split Cover & Shut-off Slide  
50528-04 3/4" x 3/4" Polished Auger  
50529-03 1" Bore Auger Insert

**50045 3/4" x 3/4" AUGER MINI-FEEDER PACKAGE INCLUDES:**

50500 Main Body Unit  
50528-04 3/4" x 3/4" Polished Auger  
50529-03 1" Bore Auger Insert

**50051 1" x 1/2" AUGER MINI-FEEDER PACKAGE INCLUDES:**

50538 Standard Base Mounting Unit w/Windows  
50500 Main Body Unit  
50561 Offset Hopper w/Split Cover & Shut-off Slide  
50528-05 1" x 1/2" Polished Auger  
50529-05 1 1/4" Bore Auger Insert

**50052 1" x 1/2" AUGER MINI-FEEDER PACKAGE INCLUDES:**

50538 Standard Base Mounting Unit w/Windows  
50500 Main Body Unit  
50528-05 1" x 1/2" Polished Auger  
50529-05 1 1/4" Bore Auger Insert

**TO METER REGRIND SENSOR #14112-10 IS REQUIRED AT AN ADDITIONAL CHARGE OF \$ 145.00**



---

**50054 1" x 1/2" AUGER MINI-FEEDER PACKAGE INCLUDES:**

50500 Main Body Unit  
50561 Offset Hopper w/Split Cover & Shut-off Slide  
50528-05 1" x 1/2" Polished Auger  
50529-05 1 1/4" Bore Auger Insert

**50055 1" x 1/2" AUGER MINI-FEEDER PACKAGE INCLUDES:**

50500 Main Body Unit  
50528-05 1" x 1/2" Polished Auger  
50529-05 1 1/4" Bore Auger Insert

**50061 1" x 3/4" AUGER MINI-FEEDER PACKAGE INCLUDES:**

50538 Standard Base Mounting Unit w/Windows  
50500 Main Body Unit  
50561 Offset Hopper w/Split Cover & Shut-off Slide  
50528-06 1" x 3/4" Polished Auger  
50529-05 1 1/4" Bore Auger Insert

**50062 1" x 3/4" AUGER MINI-FEEDER PACKAGE INCLUDES:**

50538 Standard Base Mounting Unit w/Windows  
50500 Main Body Unit  
50528-06 1" x 3/4" Polished Auger  
50529-05 1 1/4" Bore Auger Insert

**50064 1" x 3/4" AUGER MINI-FEEDER PACKAGE INCLUDES:**

50500 Main Body Unit  
50561 Offset Hopper w/Split Cover & Shut-off Slide  
50528-06 1" x 3/4" Polished Auger  
50529-05 1 1/4" Bore Auger Insert

**50065 1" x 3/4" AUGER MINI-FEEDER PACKAGE INCLUDES:**

50500 Main Body Unit  
50528-06 1" x 3/4" Polished Auger  
50529-05 1 1/4" Bore Auger Insert

**50071 1" x 1" AUGER MINI-FEEDER PACKAGE INCLUDES:**

50538 Standard Base Mounting Unit w/Windows  
50500 Main Body Unit  
50561 Offset Hopper w/Split Cover & Shut-off Slide  
50528-07 1" x 1" Polished Auger  
50529-05 1 1/4" Bore Auger Insert

**TO METER REGRIND SENSOR #14112-10 IS REQUIRED AT AN ADDITIONAL CHARGE OF \$ 145.00**



---

**50072 1" x 1" AUGER MINI-FEEDER PACKAGE INCLUDES:**

50538 Standard Base Mounting Unit w/Windows  
50500 Main Body Unit  
50528-07 1" x 1" Polished Auger  
50529-05 1 1/4" Bore Auger Insert

**50074 1" x 1" AUGER MINI-FEEDER PACKAGE INCLUDES:**

50500 Main Body Unit  
50561 Offset Hopper w/Split Cover & Shut-off Slide  
50528-07 1" x 1" Polished Auger  
50529-05 1 1/4" Bore Auger Insert

**50075 1" x 1" AUGER MINI-FEEDER PACKAGE INCLUDES:**

50500 Main Body Unit  
50528-07 1" x 1" Polished Auger  
50529-05 1 1/4" Bore Auger Insert

**50081 1 1/4" x 1" AUGER MINI-FEEDER PACKAGE INCLUDES:**

50538 Standard Base Mounting Unit w/Windows  
50500 Main Body Unit  
50561 Offset Hopper w/Split Cover & Shut-off Slide  
50528-09 1 1/4" x 1" Auger

**50082 1 1/4" x 1" AUGER MINI-FEEDER PACKAGE INCLUDES:**

50538 Standard Base Mounting Unit w/Windows  
50500 Main Body Unit  
50528-09 1 1/4" x 1" Auger

**50084 1 1/4" x 1" AUGER MINI-FEEDER PACKAGE INCLUDES:**

50500 Main Body Unit  
50561 Offset Hopper w/Split Cover & Shut-off Slide  
50528-09 1 1/4" x 1" Auger

**50085 1 1/4" x 1" AUGER MINI-FEEDER PACKAGE INCLUDES:**

50500 Main Body Unit  
50528-09 1 1/4" x 1" Auger

**TO METER REGRIND SENSOR #14112-10 IS REQUIRED AT AN ADDITIONAL CHARGE OF \$ 145.00**



---

**50011 1/2" x 1/4" AUGER MINI-FEEDER PACKAGE**



- 50538 Standard Base Mounting Unit w/Windows  
50500 Main Body Unit  
50561 Offset Hopper w/Split Cover & Shut-off Slide  
50528-01 1/2" x 1/4" Polished Auger  
50529-01 3/4" Bore Auger Insert

**Back to  
Mini-Feeder  
Packages**

---

**50012 1/2" x 1/4" AUGER MINI-FEEDER PACKAGE**



- 50538 Standard Base Mounting Unit w/Windows
- 50500 Main Body Unit
- 50528-01 1/2" x 1/4" Polished Auger
- 50529-01 3/4" Bore Auger Insert

**Back to  
Mini-Feeder  
Packages**



---

**50014 1/2" x 1/4" AUGER MINI-FEEDER PACKAGE**



- 50500 Main Body Unit  
50561 Offset Hopper w/Split Cover & Shut-off Slide  
50528-01 1/2" x 1/4" Polished Auger  
50529-01 3/4" Bore Auger Insert

**Back to  
Mini-Feeder  
Packages**

---

**50015    1/2" x 1/4" AUGER MINI-FEEDER PACKAGE**



50500    Main Body Unit  
50528-01    1/2" x 1/4" Polished Auger  
50529-01    3/4" Bore Auger Insert

**Back to  
Mini-Feeder  
Packages**

---

**50021 1/2" x 1/2" AUGER MINI-FEEDER PACKAGE**



- 50538 Standard Base Mounting Unit w/Windows  
50500 Main Body Unit  
50561 Offset Hopper w/Split Cover & Shut-off Slide  
50528-02 1/2" x 1/2" Polished Auger  
50529-01 3/4" Bore Auger Insert

**Back to  
Mini-Feeder  
Packages**

---

**50022 1/2" x 1/2" AUGER MINI-FEEDER PACKAGE**



- 50538 Standard Base Mounting Unit w/Windows  
50500 Main Body Unit  
50528-02 1/2" x 1/2" Polished Auger  
50529-01 3/4" Bore Auger Insert

**Back to  
Mini-Feeder  
Packages**

---

**50024 1/2" x 1/2" AUGER MINI-FEEDER PACKAGE**



- 50500 Main Body Unit  
50561 Offset Hopper w/Split Cover & Shut-off Slide  
50528-02 1/2" x 1/2" Polished Auger  
50529-01 3/4" Bore Auger Insert

**Back to  
Mini-Feeder  
Packages**

---

**50025 1/2" x 1/2" AUGER MINI-FEEDER PACKAGE**



50500 Main Body Unit  
50528-02 1/2" x 1/2" Polished Auger  
50529-01 3/4" Bore Auger Insert

**Back to  
Mini-Feeder  
Packages**

---

**50031 3/4" x 1/2" AUGER MINI-FEEDER PACKAGE**



- 50538 Standard Base Mounting Unit w/Windows  
50500 Main Body Unit  
50561 Offset Hopper w/Split Cover & Shut-off Slide  
50528-03 3/4" x 1/2" Polished Auger  
50529-03 1" Bore Auger Insert

**Back to  
Mini-Feeder  
Packages**

---

**50032 3/4" x 1/2" AUGER MINI-FEEDER PACKAGE**



- 50538 Standard Base Mounting Unit w/Windows
- 50500 Main Body Unit
- 50528-03 3/4" x 1/2" Polished Auger
- 50529-03 1" Bore Auger Insert

**Back to  
Mini-Feeder  
Packages**



---

**50034 3/4" x 1/2" AUGER MINI-FEEDER PACKAGE**



- 50500 Main Body Unit  
50561 Offset Hopper w/Split Cover & Shut-off Slide  
50528-03 3/4" x 1/2" Polished Auger  
50529-03 1" Bore Auger Insert

**Back to  
Mini-Feeder  
Packages**

---

**50035 3/4" x 1/2" AUGER MINI-FEEDER PACKAGE**



50500 Main Body Unit  
50528-03 3/4" x 1/2" Polished Auger  
50529-03 1" Bore Auger Insert

**Back to  
Mini-Feeder  
Packages**

---

**50041 3/4" x 3/4" AUGER MINI-FEEDER PACKAGE**



- 50538 Standard Base Mounting Unit w/Windows
- 50500 Main Body Unit
- 50561 Offset Hopper w/Split Cover & Shut-off Slide
- 50528-04 3/4" x 3/4" Polished Auger
- 50529-03 1" Bore Auger Insert

**Back to  
Mini-Feeder  
Packages**

---

**50042 3/4" x 3/4" AUGER MINI-FEEDER PACKAGE**



- 50538 Standard Base Mounting Unit w/Windows
- 50500 Main Body Unit
- 50528-04 3/4" x 3/4" Polished Auger
- 50529-03 1" Bore Auger Insert

**Back to  
Mini-Feeder  
Packages**

---

**50044 3/4" x 3/4" AUGER MINI-FEEDER PACKAGE**



- 50500 Main Body Unit  
50561 Offset Hopper w/Split Cover & Shut-off Slide  
50528-04 3/4" x 3/4" Polished Auger  
50529-03 1" Bore Auger Insert

**Back to  
Mini-Feeder  
Packages**

---

**50045    3/4" x 3/4" AUGER MINI-FEEDER PACKAGE**



- 50500    Main Body Unit  
50528-04    3/4" x 3/4" Polished Auger  
50529-03    1" Bore Auger Insert

**Back to  
Mini-Feeder  
Packages**

---

**50051 1" x 1/2" AUGER MINI-FEEDER PACKAGE**



- 50538 Standard Base Mounting Unit w/Windows
- 50500 Main Body Unit
- 50561 Offset Hopper w/Split Cover & Shut-off Slide
- 50528-05 1" x 1/2" Polished Auger
- 50529-05 1 1/4" Bore Auger Insert

**Back to  
Mini-Feeder  
Packages**

---

**50052 1" x 1/2" AUGER MINI-FEEDER PACKAGE**



- 50538 Standard Base Mounting Unit w/Windows
- 50500 Main Body Unit
- 50528-05 1" x 1/2" Polished Auger
- 50529-05 1 1/4" Bore Auger Insert

**Back to  
Mini-Feeder  
Packages**



---

**50054 1" x 1/2" AUGER MINI-FEEDER PACKAGE**



- 50500 Main Body Unit  
50561 Offset Hopper w/Split Cover & Shut-off Slide  
50528-05 1" x 1/2" Polished Auger  
50529-05 1 1/4" Bore Auger Insert

**Back to  
Mini-Feeder  
Packages**

---

**50055 1" x 1/2" AUGER MINI-FEEDER PACKAGE**



50500 Main Body Unit  
50528-05 1" x 1/2" Polished Auger  
50529-05 1 1/4" Bore Auger Insert

**Back to  
Mini-Feeder  
Packages**

---

**50061 1" x 3/4" AUGER MINI-FEEDER PACKAGE**



- 50538 Standard Base Mounting Unit w/Windows  
50500 Main Body Unit  
50561 Offset Hopper w/Split Cover & Shut-off Slide  
50528-06 1" x 3/4" Polished Auger  
50529-05 1 1/4" Bore Auger Insert

**Back to  
Mini-Feeder  
Packages**

---

**50062 1" x 3/4" AUGER MINI-FEEDER PACKAGE**



- 50538 Standard Base Mounting Unit w/Windows
- 50500 Main Body Unit
- 50528-06 1" x 3/4" Polished Auger
- 50529-05 1 1/4" Bore Auger Insert

**Back to  
Mini-Feeder  
Packages**

---

**50064 1" x 3/4" AUGER MINI-FEEDER PACKAGE**



- 50500 Main Body Unit  
50561 Offset Hopper w/Split Cover & Shut-off Slide  
50528-06 1" x 3/4" Polished Auger  
50529-05 1 1/4" Bore Auger Insert

**Back to  
Mini-Feeder  
Packages**

---

**50065 1" x 3/4" AUGER MINI-FEEDER PACKAGE**



50500 Main Body Unit  
50528-06 1" x 3/4" Polished Auger  
50529-05 1 1/4" Bore Auger Insert

**Back to  
Mini-Feeder  
Packages**

---

**50071 1" x 1" AUGER MINI-FEEDER PACKAGE**



- 50538 Standard Base Mounting Unit w/Windows  
50500 Main Body Unit  
50561 Offset Hopper w/Split Cover & Shut-off Slide  
50528-07 1" x 1" Polished Auger  
50529-05 1 1/4" Bore Auger Insert

**Back to  
Mini-Feeder  
Packages**

---

## 50072 1" x 1" AUGER MINI-FEEDER PACKAGE



50538	Standard Base Mounting Unit w/Windows
50500	Main Body Unit
50528-07	1" x 1" Polished Auger
50529-05	1 1/4" Bore Auger Insert

**Back to  
Mini-Feeder  
Packages**



---

**50074 1" x 1" AUGER MINI-FEEDER PACKAGE**



- 50500 Main Body Unit  
50561 Offset Hopper w/Split Cover & Shut-off Slide  
50528-07 1" x 1" Polished Auger  
50529-05 1 1/4" Bore Auger Insert

**Back to  
Mini-Feeder  
Packages**

---

**50075 1" x 1" AUGER MINI-FEEDER PACKAGE**



50500 Main Body Unit  
50528-07 1" x 1" Polished Auger  
50529-05 1 1/4" Bore Auger Insert

**Back to  
Mini-Feeder  
Packages**

---

**50081 1 1/4" x 1" AUGER MINI-FEEDER PACKAGE**



- 50538 Standard Base Mounting Unit w/Windows  
50500 Main Body Unit  
50561 Offset Hopper w/Split Cover & Shut-off Slide  
50528-09 1 1/4" x 1" Auger

**Back to  
Mini-Feeder  
Packages**

---

**50082 1 1/4" x 1" AUGER MINI-FEEDER PACKAGE**



- 50538 Standard Base Mounting Unit w/Windows
- 50500 Main Body Unit
- 50528-09 1 1/4" x 1" Auger

**Back to  
Mini-Feeder  
Packages**

---

**50084 1 1/4" x 1" AUGER MINI-FEEDER PACKAGE**



- 50500 Main Body Unit  
50561 Offset Hopper w/Split Cover & Shut-off Slide  
50528-09 1 1/4" x 1" Auger

**Back to  
Mini-Feeder  
Packages**

---

**50085 1 1/4" x 1" AUGER MINI-FEEDER PACKAGE**

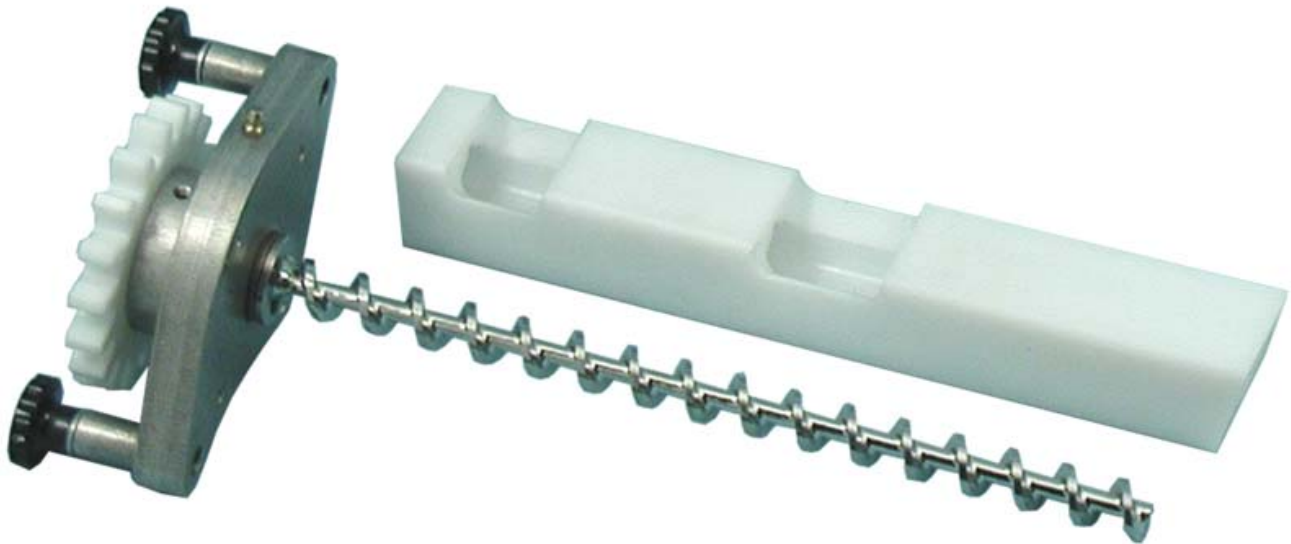


50500 Main Body Unit  
50528-09 1 1/4" x 1" Auger

**Back to  
Mini-Feeder  
Packages**

---

## MINI-FEEDER AUGER ASSEMBLIES

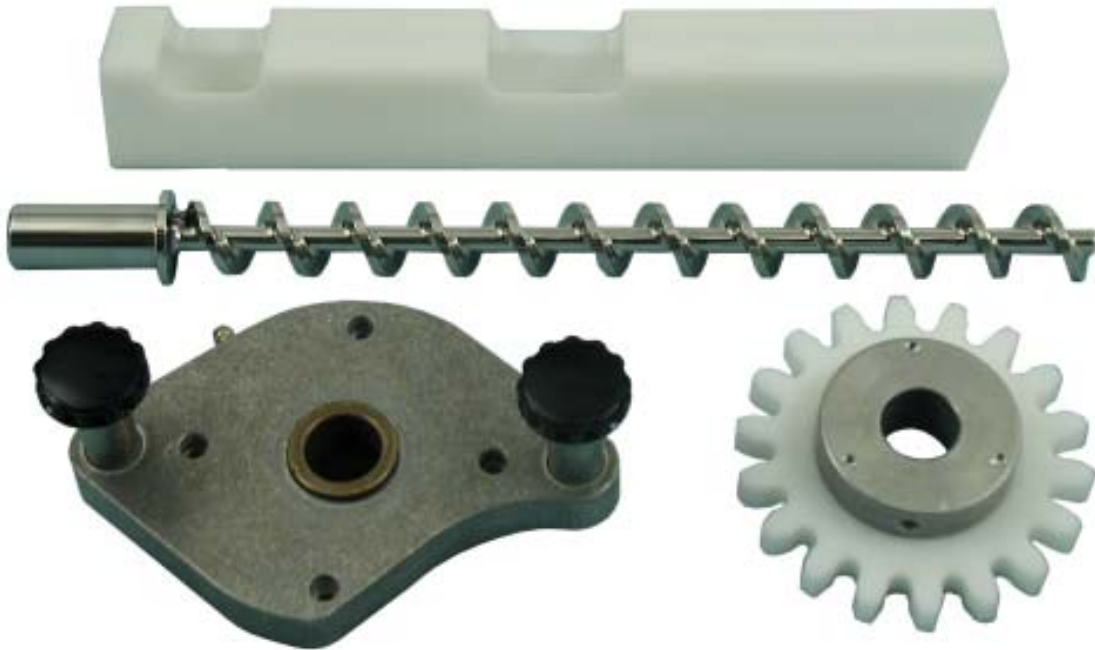


50530-00	1/2" x 1/4" Auger Assembly (50529-00 5/8" Bore Insert)
50530-01	1/2" x 1/4" Auger Assembly (50529-01 3/4" Bore Insert)
50530-02	1/2" x 1/2" Auger Assembly (50529-00 5/8" Bore Insert)
50530-03	1/2" x 1/2" Auger Assembly (50529-01 3/4" Bore Insert)
50530-04	3/4" x 1/2" Auger Assembly (50529-02 7/8" Bore Insert)
50530-05	3/4" x 1/2" Auger Assembly (50529-03 1" Bore Insert)
50530-06	3/4" x 3/4" Auger Assembly (50529-02 7/8" Bore Insert)
50530-07	3/4" x 3/4" Auger Assembly (50529-03 1" Bore Insert)
50530-08	3/4" x 3/4" Auger Assembly (50529-05 1 1/4" Bore Insert)
50530-11	1" x 1/2" Auger Assembly (50529-05 1 1/4" Bore Insert)
50530-12	1" x 3/4" Auger Assembly (50529-05 1 1/4" Bore Insert)
50530-13	1" x 1" Auger Assembly (50529-05 1 1/4" Bore Insert)
50530-14	1" x 1" Auger Assembly (50529-08 1 7/16" Bore Insert)
50530-16	1 1/4" x 1" Auger Assembly (No Insert)
50530-19	1 3/8" x 1 1/2" Auger Assembly (No Insert)

**Assemblies Come Completely Assembled and Include Auger & Insert, 50527 Bearing Plate Assembly, and 50544 Auger Gear & Hub Assembly.**

---

## MINI-FEEDER AUGERS & INSERTS



50527

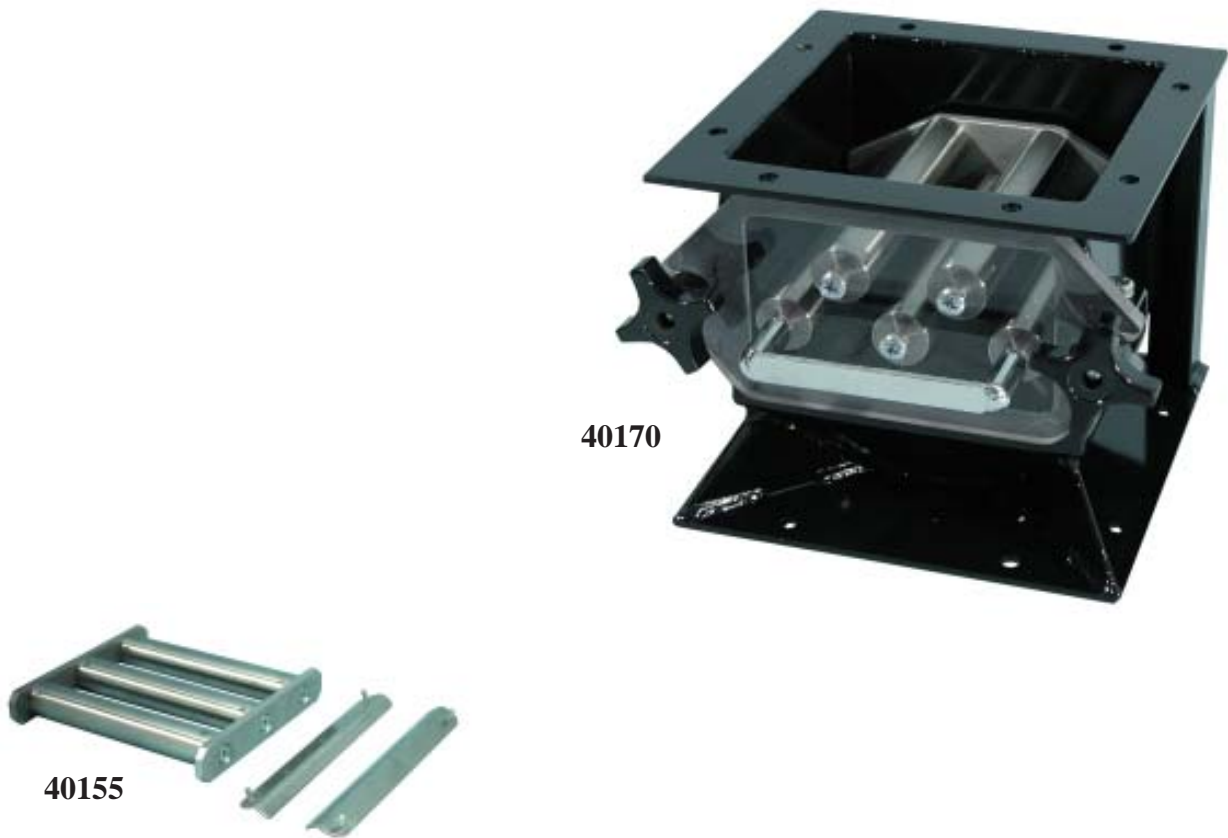
50544

50527	Auger Bearing Plate Assembly
50543	Gear (All Nylon)
50544	Auger Gear & Hub Assembly
50528-01	1/2" x 1/4" Polished Auger
50528-02	1/2" x 1/2" Polished Auger
50528-03	3/4" x 1/2" Polished Auger
50528-04	3/4" x 3/4" Polished Auger
50528-05	1" x 1/2" Polished Auger
50528-06	1" x 3/4" Polished Auger
50528-07	1" x 1" Polished Auger
50528-09	1 1/4" x 1" Auger
50528-12	1 3/8" x 1 1/2" Auger
50529-00	5/8" Bore Auger Insert for 1/2" Auger
50529-01	3/4" Bore Auger Insert for 1/2" Auger
50529-02	7/8" Bore Auger Insert for 3/4" Auger
50529-03	1" Bore Auger Insert for 3/4" Auger
50529-05	1 1/4" Bore Auger Insert for 1" Auger
50529-08	1 7/16" Bore Auger Insert for 1" Auger
50525	Auger Insert Puller



---

## MAGNETS



40155 Drop In Magnet for Hopper  
40170 Mini-Feeder Drawer Magnet (5 Magnets)

Our Mini-Feeder Drawer Magnet assembly is designed for use with our Mini-Feeders. This magnet has five stainless tubes with ceramic magnets, arranged to make the material flow over and around the magnets for maximum control. The 1/2" Lexan® window is machined with a step that fits into the housing to eliminate the need for a gasket.

Made with strong ceramic magnets and stainless steel sleeves, our drop-in magnet assemblies are made for easy removal to clean any trapped contaminates. The Hopper Magnet comes with stainless rails to install into the bottom of the feeder hopper. This traps contaminates that could damage your molding machine.

---

## **PARTS FOR 50500 MINI-FEEDER**

16116	Aluminum Adapter Plate (6" x 6" x 1/2") (Cast Style Base Unit)
16117	Aluminum Adapter Plate (6" x 6" x 1/2") (New Style Base Unit)
16117-02	Aluminum Adapter Plate (8" x 8" x 1/2") (New Style Base Unit)
16126	2" Offset Hopper Adapter
16127	4" Offset Hopper Adapter
16128	6" Offset Hopper Adapter
34300	3# Intermixer
40155	Drop In Magnet for Hopper
40170	Mini-Feeder Drawer Magnet (5 Magnets)
50525	Auger Insert Puller
50526	Drain Port Plug w/Cable
50527	Auger Bearing Plate Assembly
50543	Gear (All Nylon)
50544	Auger Gear & Hub Assembly
50528-01	1/2" x 1/4" Polished Auger
50528-02	1/2" x 1/2" Polished Auger
50528-03	3/4" x 1/2" Polished Auger
50528-04	3/4" x 3/4" Polished Auger
50528-05	1" x 1/2" Polished Auger
50528-06	1" x 3/4" Polished Auger
50528-07	1" x 1" Polished Auger
50528-09	1 1/4" x 1" Auger
50528-12	1 3/8" x 1 1/2" Auger
50529-00	5/8" Bore Auger Insert for 1/2" Auger
50529-01	3/4" Bore Auger Insert for 1/2" Auger
50529-02	7/8" Bore Auger Insert for 3/4" Auger
50529-03	1" Bore Auger Insert for 3/4" Auger
50529-05	1 1/4" Bore Auger Insert for 1" Auger
50529-08	1 7/16" Bore Auger Insert for 1" Auger
50530-00	1/2" x 1/4" Auger Assembly (50529-00 5/8" Bore Insert)
50530-01	1/2" x 1/4" Auger Assembly (50529-01 3/4" Bore Insert)
50530-02	1/2" x 1/2" Auger Assembly (50529-00 5/8" Bore Insert)
50530-03	1/2" x 1/2" Auger Assembly (50529-01 3/4" Bore Insert)



---

50530-04	3/4" x 1/2" Auger Assembly (50529-02 7/8" Bore Insert)
50530-05	3/4" x 1/2" Auger Assembly (50529-03 1" Bore Insert)
50530-06	3/4" x 3/4" Auger Assembly (50529-02 7/8" Bore Insert)
50530-07	3/4" x 3/4" Auger Assembly (50529-03 1" Bore Insert)
50530-08	3/4" x 3/4" Auger Assembly (50529-05 1 1/4" Bore Insert)
50530-11	1" x 1/2" Auger Assembly (50529-05 1 1/4" Bore Insert)
50530-12	1" x 3/4" Auger Assembly (50529-05 1 1/4" Bore Insert)
50530-13	1" x 1" Auger Assembly (50529-05 1 1/4" Bore Insert)
50530-14	1" x 1" Auger Assembly (50529-08 1 7/16" Bore Insert)
50530-16	1 1/4" x 1" Auger Assembly (No Insert)
50530-19	1 3/8" x 1 1/2" Auger Assembly (No Insert)
50531	No Leak Hopper Slide
50532	No Leak Hopper Slide Plate w/Ball Detent (UHMW)
50534	6" x 6" Standard Base Mounting Unit
50535	No Leak Base Unit Slide Assembly (6" x 6")
50535-01	No Leak Base Unit Slide Plate (6" x 6")
50535-03	No Leak Base Unit Slide (6" x 6")
50536	6" x 6" 100% Regrind Base Mounting Unit
50537	Clean Out Window for Mini-Feeder Base Unit w/Screws
50538	8" x 8" Base Mounting Unit
50540	No Leak Base Unit Slide Assembly (8" x 8")
50540-01	No Leak Base Unit Slide Plate (8" x 8")
50540-04	No Leak Base Unit Slide (8" x 8")
16119	Aluminum Adapter Plate for 50538 Series Base Unit
50541	Auger Gear Hub (Mini-Feeder) 7/8" Bore
50542	Motor Gear Hub (Mini-Feeder) 5/8" Bore
50543	Gear (All Nylon for Mini-Feeder)
50544	Auger Gear & Hub Assembly (50541 & 50543)
50545	Motor Gear & Hub Assembly (50542 & 50543)
50561	Mini-Feeder Hopper w/Split Cover 10" x 11" Top Opening 1/2 Cubic Foot Capacity Holds Approximately 17.5 lbs of Concentrate
50562	Mini-Feeder Hopper w/No Leak Cover for Accu-Feed Material Loader 10" x 11" Top Opening 1/2 Cubic Foot Capacity Holds Approximately 17.5 lbs of Concentrate
50570	Drying Hopper for the Mini-Feeder



---

## **PARTS FOR THE 34300 3# INTERMIXER**

14055-11	Power Cord Plug Assembly (w/Twist Lock Plug)
31210	Power Cord w/Inline Switch
34300-08	Front Cover w/Bearing
34300-09	Rear Bearing Hub Assembly
34300-10	Motor Drive Shaft
34300-11	Hold Down Clamp
34300-12	Mixing Paddle
34301	Motor (Dayton 3M329)
34302	Knob (7/8" Black Plastic)