
Accu-Feed

ENGINEERING

P.O. Box 404 - 50 Newton Street - Norwalk, OH 44857-0404
Phone: 1-888-844-2228 Fax: 1-888-717-2228
Email: info@accu-feed.com
www.accu-feed.com

STANDARD FEEDERS



12000 Series Standard Feeder Packages	2
Standard Feeder Assembly Sheets	
1/2" x 1/4" Auger Feeders	15
1/2" x 1/2" Auger Feeders	25
3/4" x 3/4" Auger Feeders	34
3/4" x 1/2" Auger Feeders	41
1" x 3/4" Auger Feeders	46
1" x 1" Auger Feeders	50
1 1/4" x 1" Auger Feeders	61
1 1/2" x 1" Auger Feeders	71
1 1/2" x 1 1/2" Auger Feeders	75
2" x 2" Auger Feeders	78
2" x 1" Auger Feeders	85
Standard Feeder Auger Assemblies	92
Standard Feeder Augers & Inserts	93
Magnets	94
Parts Listing	95
Intermixer Information	99



12000 STANDARD FEEDER PACKAGES

10080 1/2" x 1/4" AUGER FEEDER PACKAGE INCLUDES:

11000 Base Mounting Unit w/Windows
12010 Colorant Body Unit
12158 Small Offset Hopper w/Split Cover & Shut-off Slide
13101 5/8" Bore Auger Insert
13105 1/2" x 1/4" Polished Auger

10081 1/2" x 1/4" AUGER FEEDER PACKAGE INCLUDES:

11000 Base Mounting Unit w/Windows
12010 Colorant Body Unit
12160 Medium Hopper w/Split Cover & Shut-off Slide
13101 5/8" Bore Auger Insert
13105 1/2" x 1/4" Polished Auger

10085 1/2" x 1/4" AUGER FEEDER PACKAGE INCLUDES:

12010 Colorant Body Unit
12158 Small Offset Hopper w/Split Cover & Shut-off Slide
13101 5/8" Bore Auger Insert
13105 1/2" x 1/4" Polished Auger

10086 1/2" x 1/4" AUGER FEEDER PACKAGE INCLUDES:

12010 Colorant Body Unit
12160 Medium Hopper w/Split Cover & Shut-off Slide
13101 5/8" Bore Auger Insert
13105 1/2" x 1/4" Polished Auger

10088 1/2" x 1/4" AUGER REGRIND FEEDER PACKAGE INCLUDES:

12020 Regrind Body Unit
12195 Drying Hopper w/Shut-off Slide
13101 5/8" Bore Auger Insert
13105 1/2" x 1/4" Polished Auger
14110 Sensor

10090 1/2" x 1/4" AUGER FEEDER PACKAGE INCLUDES:

11000 Base Mounting Unit w/Windows
12010 Colorant Body Unit
12158 Small Offset Hopper w/Split Cover & Shut-off Slide
13102 3/4" Bore Auger Insert
13105 1/2" x 1/4" Polished Auger



10091 1/2" x 1/4" AUGER FEEDER PACKAGE INCLUDES:

11000 Base Mounting Unit w/Windows
12010 Colorant Body Unit
12160 Medium Hopper w/Split Cover & Shut-off Slide
13102 3/4" Bore Auger Insert
13105 1/2" x 1/4" Polished Auger

10095 1/2" x 1/4" AUGER FEEDER PACKAGE INCLUDES:

12010 Colorant Body Unit
12158 Small Offset Hopper w/Split Cover & Shut-off Slide
13102 3/4" Bore Auger Insert
13105 1/2" x 1/4" Polished Auger

10096 1/2" x 1/4" AUGER FEEDER PACKAGE INCLUDES:

12010 Colorant Body Unit
12160 Medium Hopper w/Split Cover & Shut-off Slide
13102 3/4" Bore Auger Insert
13105 1/2" x 1/4" Polished Auger

10098 1/2" x 1/4" AUGER REGRIND FEEDER PACKAGE INCLUDES:

12020 Regrind Body Unit
12195 Drying Hopper w/Shut-off Slide
13102 3/4" Bore Auger Insert
13105 1/2" x 1/4" Polished Auger
14110 Sensor

10100 1/2" x 1/2" AUGER FEEDER PACKAGE INCLUDES:

11000 Base Mounting Unit w/Windows
12010 Colorant Body Unit
12058 Small Offset Hopper w/Split Cover & Shut-off Slide
13100 1/2" x 1/2" Polished Auger
13101 5/8" Bore Auger Insert

10101 1/2" x 1/2" AUGER FEEDER PACKAGE INCLUDES:

11000 Base Mounting Unit w/Windows
12010 Colorant Body Unit
12160 Medium Hopper w/Split Cover & Shut-off Slide
13100 1/2" x 1/2" Polished Auger
13101 5/8" Bore Auger Insert



10110 1/2" x 1/2" AUGER FEEDER PACKAGE INCLUDES:

12010 Colorant Body Unit
12158 Small Offset Hopper w/Split Cover & Shut-off Slide
13100 1/2" x 1/2" Polished Auger
13101 5/8" Bore Auger Insert

10111 1/2" x 1/2" AUGER FEEDER PACKAGE INCLUDES:

12010 Colorant Body Unit
12160 Medium Hopper w/Split Cover & Shut-off Slide
13100 1/2" x 1/2" Polished Auger
13101 5/8" Bore Auger Insert

10120 1/2" x 1/2" AUGER FEEDER PACKAGE INCLUDES:

11000 Base Mounting Unit w/Windows
12010 Colorant Body Unit
12158 Small Offset Hopper w/Split Cover & Shut-off Slide
13100 1/2" x 1/2" Polished Auger
13102 3/4" Bore Auger Insert

10121 1/2" x 1/2" AUGER FEEDER PACKAGE INCLUDES:

11000 Base Mounting Unit w/Windows
12010 Colorant Body Unit
12160 Medium Hopper w/Split Cover & Shut-off Slide
13100 1/2" x 1/2" Polished Auger
13102 3/4" Bore Auger Insert

10124 1/2" x 1/2" AUGER FEEDER PACKAGE INCLUDES:

12010 Colorant Body Unit
12158 Small Offset Hopper w/Split Cover & Shut-off Slide
13100 1/2" x 1/2" Polished Auger
13102 3/4" Bore Auger Insert

10125 1/2" x 1/2" AUGER FEEDER PACKAGE INCLUDES:

12010 Colorant Body Unit
12160 Medium Hopper w/Split Cover & Shut-off Slide
13100 1/2" x 1/2" Polished Auger
13102 3/4" Bore Auger Insert

10127 1/2" x 1/2" AUGER REGRIND FEEDER PACKAGE INCLUDES:

12020 Regrind Body Unit
12195 Drying Hopper w/Shut-off Slide
13100 1/2" x 1/2" Polished Auger
13102 3/4" Bore Auger Insert
14110 Sensor



10200 3/4" x 3/4" AUGER FEEDER PACKAGE INCLUDES:

11000 Base Mounting Unit w/Windows
12010 Colorant Body Unit
12158 Small Offset Hopper w/Split Cover & Shut-off Slide
13110 3/4" x 3/4" Polished Auger
13112 1" Bore Auger Insert

10201 3/4" x 3/4" AUGER FEEDER PACKAGE INCLUDES:

11000 Base Mounting Unit w/Windows
12010 Colorant Body Unit
12160 Medium Hopper w/Split Cover & Shut-off Slide
13110 3/4" x 3/4" Polished Auger
13112 1" Bore Auger Insert

10202 3/4" x 3/4" AUGER REGRIND FEEDER PACKAGE INCLUDES:

11009 Adjustable Regrind Base Mounting Unit
12020 Regrind Body Unit
12160 Medium Hopper w/Split Cover & Shut-off Slide
13110 3/4" x 3/4" Polished Auger
13122 1 1/4" Bore Auger Insert
14110 Sensor

10210 3/4" x 3/4" AUGER FEEDER PACKAGE INCLUDES:

12010 Colorant Body Unit
12158 Small Offset Hopper w/Split Cover & Shut-off Slide
13110 3/4" x 3/4" Polished Auger
13112 1" Bore Auger Insert

10211 3/4" x 3/4" AUGER FEEDER PACKAGE INCLUDES:

12010 Colorant Body Unit
12160 Medium Hopper w/Split Cover & Shut-off Slide
13110 3/4" x 3/4" Polished Auger
13112 1" Bore Auger Insert

10212 3/4" x 3/4" AUGER FEEDER PACKAGE INCLUDES:

12010 Colorant Body Unit
12165 Large Hopper w/Split Cover & Shut-off Slide
13110 3/4" x 3/4" Polished Auger
13112 1" Bore Auger Insert



10213 3/4" x 3/4" AUGER REGRIND FEEDER PACKAGE INCLUDES:

12020 Regrind Body Unit
12195 Drying Hopper w/Shut-off Slide
13110 3/4" x 3/4" Polished Auger
13112 1" Bore Auger Insert
14110 Sensor

10230 3/4" x 1/2" AUGER FEEDER PACKAGE INCLUDES:

11000 Base Mounting Unit w/Windows
12010 Colorant Body Unit
12058 Small Offset Hopper w/Split Cover & Shut-off Slide
13112 1" Bore Auger Insert
13113 3/4" x 1/2" Polished Auger

10231 3/4" x 1/2" AUGER FEEDER PACKAGE INCLUDES:

11000 Base Mounting Unit w/Windows
12010 Colorant Body Unit
12160 Medium Hopper w/Split Cover & Shut-off Slide
13112 1" Bore Auger Insert
13113 3/4" x 1/2" Polished Auger

10240 3/4" x 1/2" AUGER FEEDER PACKAGE INCLUDES:

12010 Colorant Body Unit
12158 Small Offset Hopper w/Split Cover & Shut-off Slide
13112 1" Bore Auger Insert
13113 3/4" x 1/2" Polished Auger

10241 3/4" x 1/2" AUGER FEEDER PACKAGE INCLUDES:

12010 Colorant Body Unit
12160 Medium Hopper w/Split Cover & Shut-off Slide
13112 1" Bore Auger Insert
13113 3/4" x 1/2" Polished Auger

10243 3/4" x 1/2" AUGER FEEDER PACKAGE INCLUDES:

12010 Colorant Body Unit
12165 Large Hopper w/Split Cover & Shut-off Slide
13112 1" Bore Auger Insert
13113 3/4" x 1/2" Polished Auger



10300 1" x 3/4" AUGER FEEDER PACKAGE INCLUDES:

11000 Base Mounting Unit w/Windows
12010 Colorant Body Unit
12158 Small Offset Hopper w/Split Cover & Shut-off Slide
13122 1 1/4" Bore Auger Insert
13124 1" x 3/4" Polished Auger

10301 1" x 3/4" AUGER FEEDER PACKAGE INCLUDES:

11000 Base Mounting Unit w/Windows
12010 Colorant Body Unit
12160 Medium Hopper w/Split Cover & Shut-off Slide
13122 1 1/4" Bore Auger Insert
13124 1" x 3/4" Polished Auger

10310 1" x 3/4" AUGER FEEDER PACKAGE INCLUDES:

12010 Colorant Body Unit
12158 Small Offset Hopper w/Split Cover & Shut-off Slide
13122 1 1/4" Bore Auger Insert
13124 1" x 3/4" Polished Auger

10311 1" x 3/4" AUGER FEEDER PACKAGE INCLUDES:

12010 Colorant Body Unit
12160 Medium Hopper w/Split Cover & Shut-off Slide
13122 1 1/4" Bore Auger Insert
13124 1" x 3/4" Polished Auger

10400 1" x 1" AUGER FEEDER PACKAGE INCLUDES:

11000 Base Mounting Unit w/Windows
12010 Colorant Body Unit
12158 Small Offset Hopper w/Split Cover & Shut-off Slide
13120 1" x 1" Polished Auger
13122 1 1/4" Bore Auger Insert

10401 1" x 1" AUGER FEEDER PACKAGE INCLUDES:

11000 Base Mounting Unit w/Windows
12010 Colorant Body Unit
12160 Medium Hopper w/Split Cover & Shut-off Slide
13120 1" x 1" Polished Auger
13122 1 1/4" Bore Auger Insert



10402 1" x 1" AUGER FEEDER PACKAGE INCLUDES:

11000 Base Mounting Unit w/Windows
12010 Colorant Body Unit
12165 Large Hopper w/Split Cover & Shut-off Slide
13120 1" x 1" Polished Auger
13122 1 1/4" Bore Auger Insert

10403 1" x 1" AUGER REGRIND FEEDER PACKAGE INCLUDES:

11000 Base Mounting Unit w/Windows
12010 Colorant Body Unit
12158 Small Offset Hopper w/Split Cover & Shut-off Slide
13120 1" x 1" Polished Auger
13127 1 1/2" Bore Auger Insert
14110 Sensor

10405 1" x 1" AUGER REGRIND FEEDER PACKAGE INCLUDES:

11009 Adjustable Regrind Base Mounting Unit
12020 Regrind Body Unit
12158 Small Offset Hopper w/Split Cover & Shut-off Slide
13120 1" x 1" Polished Auger
13127 1 1/2" Bore Auger Insert
14110 Sensor

10406 1" x 1" AUGER REGRIND FEEDER PACKAGE INCLUDES:

11009 Adjustable Regrind Base Mounting Unit
12020 Regrind Body Unit
12160 Medium Hopper w/Split Cover & Shut-off Slide
13120 1" x 1" Polished Auger
13127 1 1/2" Bore Auger Insert
14110 Sensor

10407 1" x 1" AUGER REGRIND FEEDER PACKAGE INCLUDES:

11009 Adjustable Regrind Base Mounting Unit
12020 Regrind Body Unit
12165 Large Hopper w/Split Cover & Shut-off Slide
13120 1" x 1" Polished Auger
13127 1 1/2" Bore Auger Insert
14110 Sensor

10408 1" x 1" AUGER REGRIND FEEDER PACKAGE INCLUDES:

11009 Adjustable Regrind Base Mounting Unit
12020 Regrind Body Unit
12195 Drying Hopper w/Shut-off Slide
13120 1" x 1" Polished Auger
13127 1 1/2" Bore Auger Insert
14110 Sensor



10410 1" x 1" AUGER FEEDER PACKAGE INCLUDES:

12010 Colorant Body Unit
12158 Small Offset Hopper w/Split Cover & Shut-off Slide
13120 1" x 1" Polished Auger
13122 1 1/4" Bore Auger Insert

10411 1" x 1" AUGER FEEDER PACKAGE INCLUDES:

12010 Colorant Body Unit
12160 Medium Hopper w/Split Cover & Shut-off Slide
13120 1" x 1" Polished Auger
13122 1 1/4" Bore Auger Insert

10412 1" x 1" AUGER FEEDER PACKAGE INCLUDES:

12010 Colorant Body Unit
12165 Large Hopper w/Split Cover & Shut-off Slide
13120 1" x 1" Polished Auger
13122 1 1/4" Bore Auger Insert

10417 1 1/4" x 1" AUGER REGRIND FEEDER PACKAGE INCLUDES:

11009 Adjustable Regrind Base Mounting Unit
12020 Regrind Body Unit
12160 Medium Hopper w/Split Cover & Shut-off Slide
13125 1 1/4" x 1" Auger
13132 1 7/8" Bore Auger Insert
14110 Sensor

10418 1 1/4" x 1" AUGER REGRIND FEEDER PACKAGE INCLUDES:

11009 Adjustable Regrind Base Mounting Unit
12020 Regrind Body Unit
12165 Large Hopper w/Split Cover & Shut-off Slide
13125 1 1/4" x 1" Auger
13132 1 7/8" Bore Auger Insert
14110 Sensor

10419 1 1/4" x 1" AUGER REGRIND FEEDER PACKAGE INCLUDES:

11009 Adjustable Regrind Base Mounting Unit
12020 Regrind Body Unit
12195 Drying Hopper w/Shut-off Slide
13125 1 1/4" x 1" Auger
13132 1 7/8" Bore Auger Insert
14110 Sensor



10420 1 1/4" x 1" AUGER REGRIND FEEDER PACKAGE INCLUDES:

11009 Adjustable Regrind Base Mounting Unit
12020 Regrind Body Unit
12160 Medium Hopper w/Split Cover & Shut-off Slide
13125 1 1/4" x 1" Auger
13131 1 11/16" Bore Auger Insert
14110 Sensor

10421 1 1/4" x 1" AUGER REGRIND FEEDER PACKAGE INCLUDES:

11009 Adjustable Regrind Base Mounting Unit
12020 Regrind Body Unit
12165 Large Hopper w/Split Cover & Shut-off Slide
13125 1 1/4" x 1" Auger
13131 1 11/16" Bore Auger Insert
14110 Sensor

10422 1 1/4" x 1" AUGER FEEDER PACKAGE INCLUDES:

11009 Adjustable Regrind Base Mounting Unit
12020 Regrind Body Unit
12195 Drying Hopper w/Shut-off Slide
13125 1 1/4" x 1" Auger
13131 1 11/16" Bore Auger Insert
14110 Sensor

10423 1 1/4" x 1" AUGER FEEDER PACKAGE INCLUDES:

11000 Base Mounting Unit w/Windows
12010 Colorant Body Unit
12160 Medium Hopper w/Split Cover & Shut-off Slide
13125 1 1/4" x 1" Auger
13127 1 1/2" Bore Auger Insert

10424 1 1/4" x 1" AUGER FEEDER PACKAGE INCLUDES:

11000 Base Mounting Unit w/Windows
12010 Colorant Body Unit
12165 Large Hopper w/Split Cover & Shut-off Slide
13125 1 1/4" x 1" Auger
13127 1 1/2" Bore Auger Insert

10426 1 1/4" x 1" AUGER FEEDER PACKAGE INCLUDES:

12010 Colorant Body Unit
12160 Medium Hopper w/Split Cover & Shut-off Slide
13125 1 1/4" x 1" Auger
13127 1 1/2" Bore Auger Insert



10427 1 1/4" x 1" AUGER FEEDER PACKAGE INCLUDES:

12010 Colorant Body Unit
12165 Large Hopper w/Split Cover & Shut-off Slide
13125 1 1/4" x 1" Auger
13127 1 1/2" Bore Auger Insert

10430 1 1/2" x 1" AUGER FEEDER PACKAGE INCLUDES:

11000 Base Mounting Unit w/Windows & Regrind Baffle
12010 Colorant Body Unit
12160 Medium Hopper w/Split Cover & Shut-off Slide
13130 1 1/2" x 1" Auger
13131 1 11/16" Bore Auger Insert

10440 1 1/2" x 1" AUGER REGRIND FEEDER PACKAGE INCLUDES:

11009 Adjustable Regrind Base Mounting Unit
12020 Regrind Body Unit
12160 Medium Hopper w/Split Cover & Shut-off Slide
13130 1 1/2" x 1" Auger
13132 1 7/8" Bore Auger Insert
14110 Sensor

10441 1 1/2" x 1" AUGER REGRIND FEEDER PACKAGE INCLUDES:

11009 Adjustable Regrind Base Mounting Unit
12020 Regrind Body Unit
12165 Large Hopper w/Split Cover & Shut-off Slide
13130 1 1/2" x 1" Auger
13132 1 7/8" Bore Auger Insert
14110 Sensor

10442 1 1/2" x 1" AUGER REGRIND FEEDER PACKAGE INCLUDES:

11009 Adjustable Regrind Base Mounting Unit
12020 Regrind Body Unit
12195 Drying Hopper w/Shut-off Slide
13130 1 1/2" x 1" Auger
13132 1 7/8" Bore Auger Insert
14110 Sensor

10470 1 1/2" x 1 1/2" AUGER REGRIND FEEDER PACKAGE INCLUDES:

11009 Adjustable Regrind Base Mounting Unit
12020 Regrind Body Unit
12160 Medium Hopper w/Split Cover & Shut-off Slide
13132 1 7/8" Bore Auger Insert
13135 1 1/2" x 1 1/2" Auger
14110 Sensor



10471 1 1/2" x 1 1/2" AUGER REGRIND FEEDER PACKAGE INCLUDES:

11009 Adjustable Regrind Base Mounting Unit
12020 Regrind Body Unit
12165 Large Hopper w/Split Cover & Shut-off Slide
13132 1 7/8" Bore Auger Insert
13135 1 1/2" x 1 1/2" Auger
14110 Sensor

10472 1 1/2" x 1 1/2" AUGER REGRIND FEEDER PACKAGE INCLUDES:

11009 Adjustable Regrind Base Mounting Unit
12020 Regrind Body Unit
12195 Drying Hopper w/Shut-off Slide
13132 1 7/8" Bore Auger Insert
13135 1 1/2" x 1 1/2" Auger
14110 Sensor

10500 2" x 2" AUGER REGRIND FEEDER PACKAGE INCLUDES:

11009 Adjustable Regrind Base Mounting Unit
12020 Regrind Body Unit
12160 Medium Hopper w/Split Cover & Shut-off Slide
13140 2" x 2" Auger
14110 Sensor

10501 2" x 2" AUGER REGRIND FEEDER PACKAGE INCLUDES:

11009 Adjustable Regrind Base Mounting Unit
12020 Regrind Body Unit
12165 Large Hopper w/Split Cover & Shut-off Slide
13140 2" x 2" Auger
14110 Sensor

10502 2" x 2" AUGER REGRIND FEEDER PACKAGE INCLUDES:

11009 Adjustable Regrind Base Mounting Unit
12020 Regrind Body Unit
12170 Large Offset Hopper w/Split Cover & Shut-Off Slide
13140 2" x 2" Auger
14110 Sensor

10503 2" x 2" AUGER REGRIND FEEDER PACKAGE INCLUDES:

11009 Adjustable Regrind Base Mounting Unit
12020 Regrind Body Unit
12195 Drying Hopper w/Shut-off Slide
13140 2" x 2" Auger
14110 Sensor



10510 2" x 2" AUGER REGRIND FEEDER PACKAGE INCLUDES:

12020 Regrind Body Unit
12160 Medium Hopper w/Split Cover & Shut-Off Slide
13140 2" x 2" Auger
14110 Sensor

10511 2" x 2" AUGER REGRIND FEEDER PACKAGE INCLUDES:

12020 Regrind Body Unit
12165 Large Hopper w/Split Cover & Shut-Off Slide
13140 2" x 2" Auger
14110 Sensor

10512 2" x 2" AUGER REGRIND FEEDER PACKAGE INCLUDES:

12020 Regrind Body Unit
12170 Large Offset Hopper w/Split Cover & Shut-Off Slide
13140 2" x 2" Auger
14110 Sensor

10600 2" x 1" AUGER REGRIND FEEDER PACKAGE INCLUDES:

11009 Adjustable Regrind Base Mounting Unit
12020 Regrind Body Unit
12160 Medium Hopper w/Split Cover & Shut-off Slide
13145 2" x 1" Auger
14110 Sensor

10601 2" x 1" AUGER REGRIND FEEDER PACKAGE INCLUDES:

11009 Adjustable Regrind Base Mounting Unit
12020 Regrind Body Unit
12165 Large Hopper w/Split Cover & Shut-off Slide
13145 2" x 1" Auger
14110 Sensor

10602 2" x 1" AUGER REGRIND FEEDER PACKAGE INCLUDES:

11009 Adjustable Regrind Base Mounting Unit
12020 Regrind Body Unit
12170 Large Offset Hopper w/Split Cover & Shut-off Slide
13145 2" x 1" Auger
14110 Sensor



10603 2" x 1" AUGER REGRIND FEEDER PACKAGE INCLUDES:

11009 Adjustable Regrind Base Mounting Unit
12020 Regrind Body Unit
12195 Drying Hopper w/Shut-off Slide
13145 2" x 1" Auger
14110 Sensor

10610 2" x 1" AUGER REGRIND FEEDER PACKAGE:

12020 Regrind Body Unit
12160 Medium Hopper w/Split Cover & Shut-off Slide
13145 2" x 1" Auger
14110 Sensor

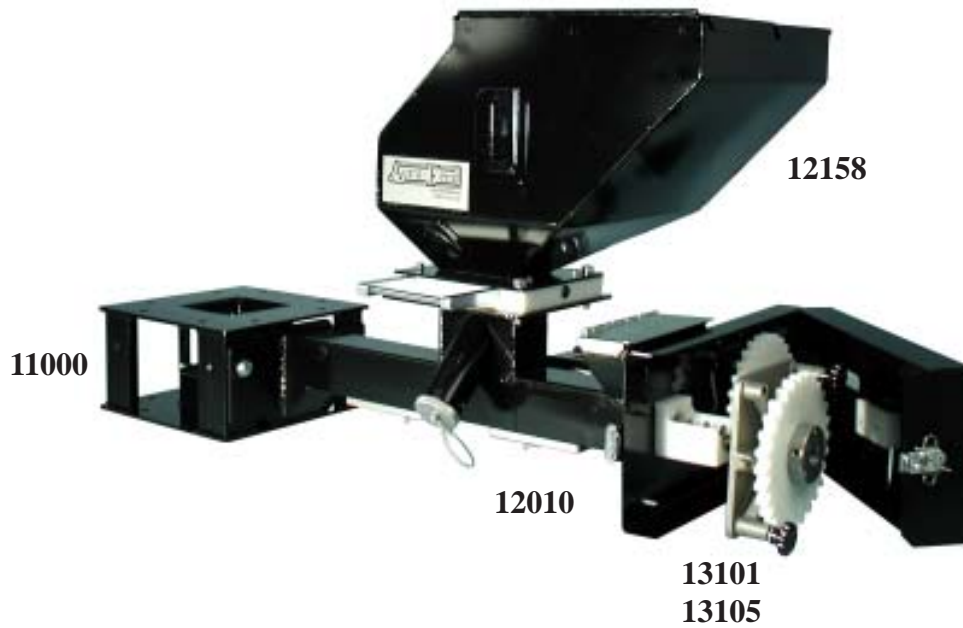
10611 2" x 1" AUGER REGRIND FEEDER PACKAGE:

12020 Regrind Body Unit
12165 Large Hopper w/Split Cover & Shut-off Slide
13145 2" x 1" Auger
14110 Sensor

10612 2" x 1" AUGER REGRIND FEEDER PACKAGE:

12020 Regrind Body Unit
12170 Large Offset Hopper w/Split Cover & Shut-off Slide
13145 2" x 1" Auger
14110 Sensor

10080 1/2" x 1/4" AUGER FEEDER PACKAGE



- 11000 Base Mounting Unit w/Windows
- 12010 Colorant Body Unit
- 12158 Small Offset Hopper w/Split Cover & Shut-off Slide
- 13101 5/8" Bore Auger Insert
- 13105 1/2" x 1/4" Polished Auger

**Back to
Standard Feeder
Packages**

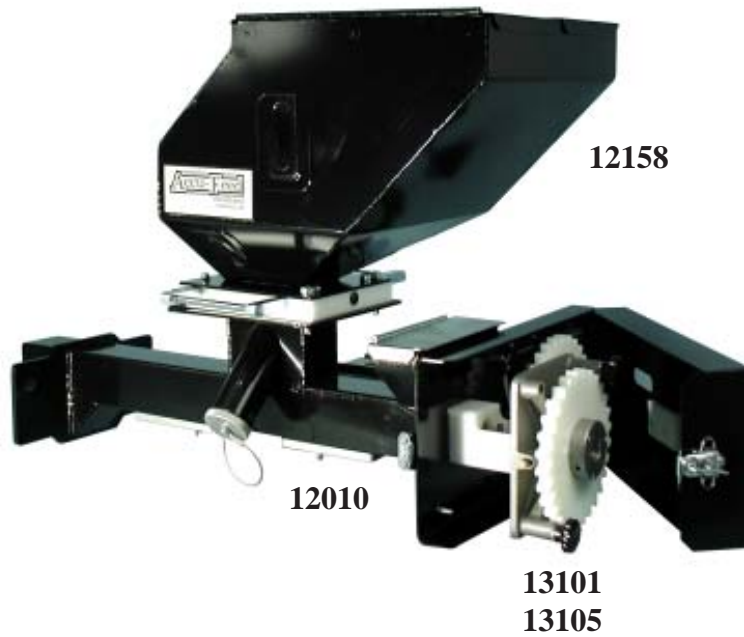
10081 1/2" x 1/4" AUGER FEEDER PACKAGE



- 11000 Base Mounting Unit w/Windows
12010 Colorant Body Unit
12160 Medium Hopper w/Split Cover & Shut-off Slide
13101 5/8" Bore Auger Insert
13105 1/2" x 1/4" Polished Auger

**Back to
Standard Feeder
Packages**

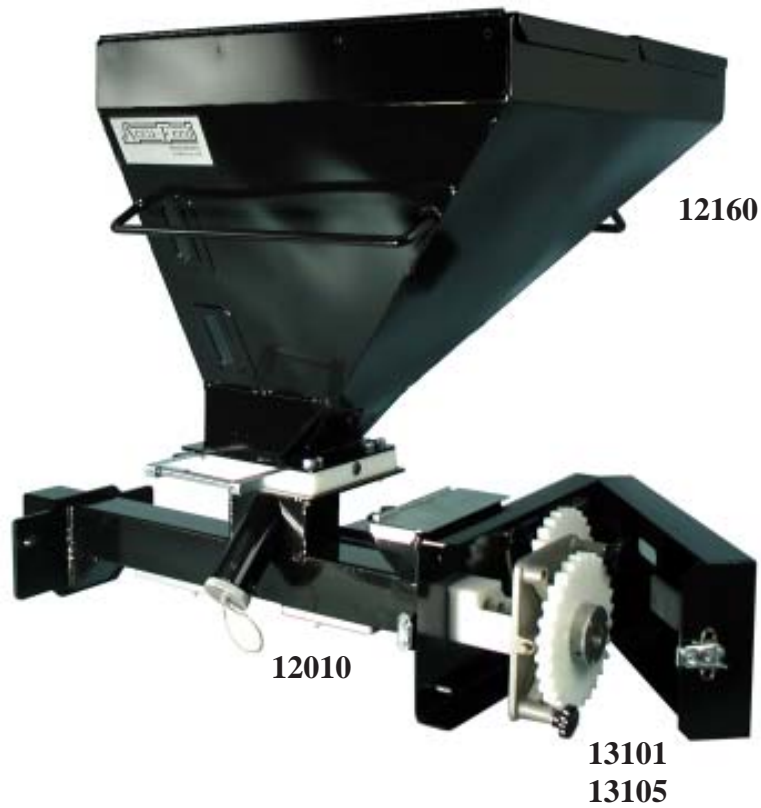
10085 1/2" x 1/4" AUGER FEEDER PACKAGE



- 12010 Colorant Body Unit
- 12158 Small Offset Hopper w/Split Cover & Shut-off Slide
- 13101 5/8" Bore Auger Insert
- 13105 1/2" x 1/4" Polished Auger

**Back to
Standard Feeder
Packages**

10086 1/2" x 1/4" AUGER FEEDER PACKAGE



- 12010 Colorant Body Unit
12160 Medium Hopper w/Split Cover & Shut-off Slide
13101 5/8" Bore Auger Insert
13105 1/2" x 1/4" Polished Auger

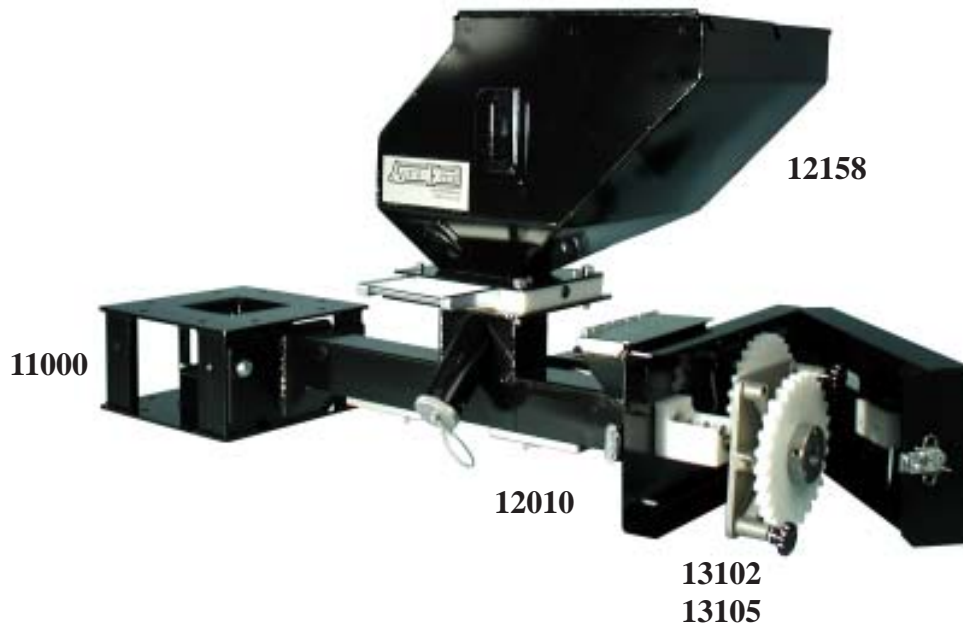
**Back to
Standard Feeder
Packages**

10088 1/2" x 1/4" AUGER REGRIND FEEDER PACKAGE



- 12020 Regrind Body Unit
- 12195 Drying Hopper w/Shut-off Slide
- 13101 5/8" Bore Auger Insert
- 13105 1/2" x 1/4" Polished Auger
- 14110 Sensor

10090 1/2" x 1/4" AUGER FEEDER PACKAGE



- 11000 Base Mounting Unit w/Windows
- 12010 Colorant Body Unit
- 12158 Small Offset Hopper w/Split Cover & Shut-off Slide
- 13102 3/4" Bore Auger Insert
- 13105 1/2" x 1/4" Polished Auger

**Back to
Standard Feeder
Packages**

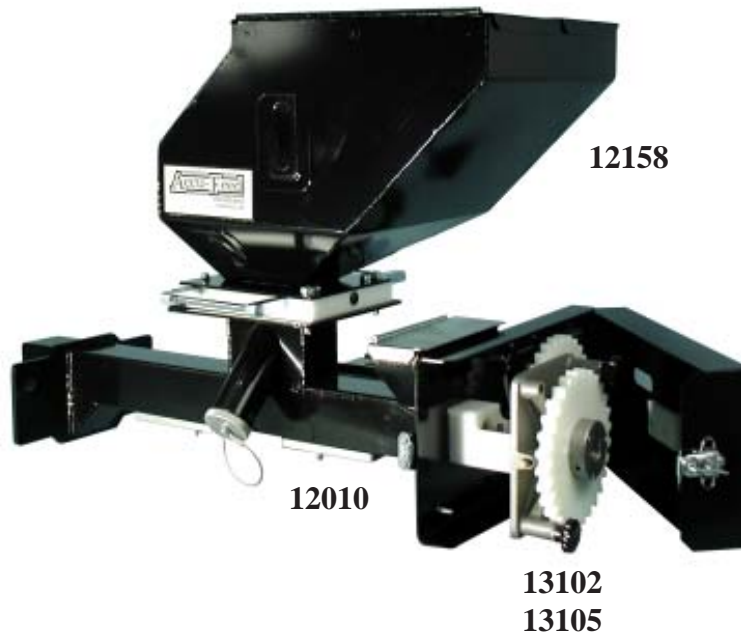
10091 1/2" x 1/4" AUGER FEEDER PACKAGE



- 11000 Base Mounting Unit w/Windows
12010 Colorant Body Unit
12160 Medium Hopper w/Split Cover & Shut-off Slide
13102 3/4" Bore Auger Insert
13105 1/2" x 1/4" Polished Auger

**Back to
Standard Feeder
Packages**

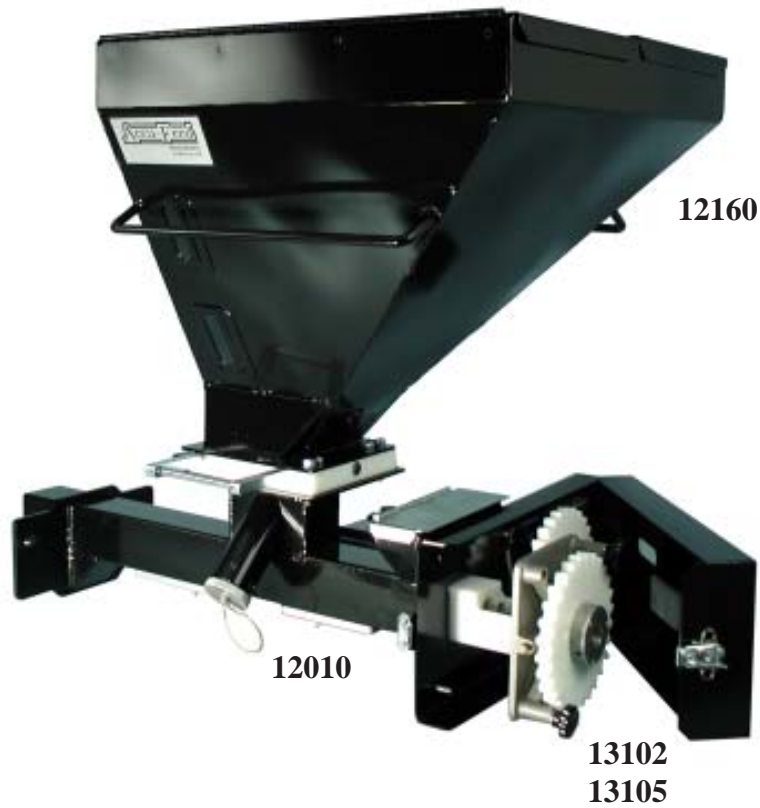
10095 1/2" x 1/4" AUGER FEEDER PACKAGE



- 12010 Colorant Body Unit
- 12158 Small Offset Hopper w/Split Cover & Shut-off Slide
- 13102 3/4" Bore Auger Insert
- 13105 1/2" x 1/4" Polished Auger

**Back to
Standard Feeder
Packages**

10096 1/2" x 1/4" AUGER FEEDER PACKAGE



- 12010 Colorant Body Unit
12160 Medium Hopper w/Split Cover & Shut-off Slide
13102 3/4" Bore Auger Insert
13105 1/2" x 1/4" Polished Auger

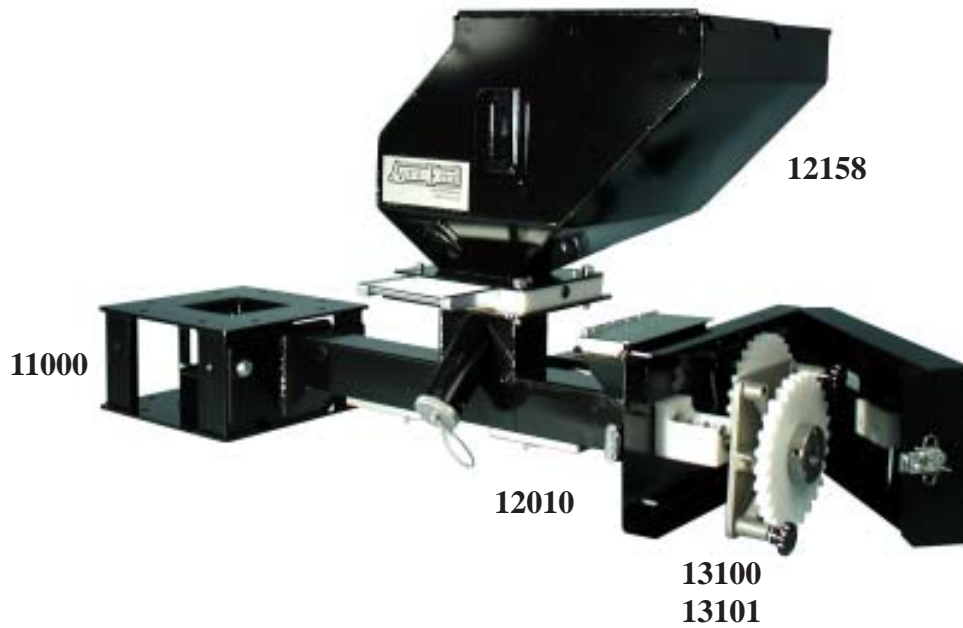
**Back to
Standard Feeder
Packages**

10098 1/2" x 1/4" AUGER REGRIND FEEDER PACKAGE



- 12020 Regrind Body Unit
- 12195 Drying Hopper w/Shut-off Slide
- 13102 3/4" Bore Auger Insert
- 13105 1/2" x 1/4" Polished Auger
- 14110 Sensor

10100 1/2" x 1/2" AUGER FEEDER PACKAGE



- 11000 Base Mounting Unit w/Windows
- 12010 Colorant Body Unit
- 12158 Small Offset Hopper w/Split Cover & Shut-off Slide
- 13100 1/2" x 1/2" Polished Auger
- 13101 5/8" Bore Auger Insert

**Back to
Standard Feeder
Packages**

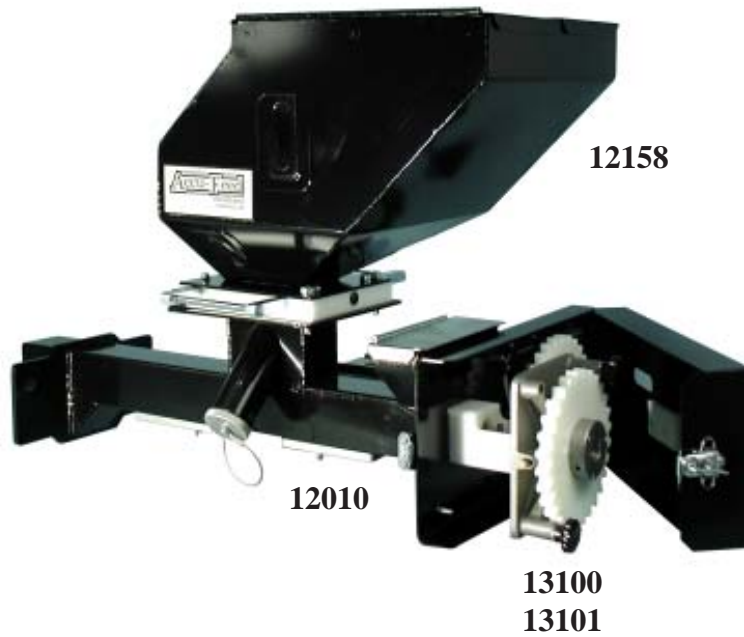
10101 1/2" x 1/2" AUGER FEEDER PACKAGE



- 11000 Base Mounting Unit w/Windows
- 12010 Colorant Body Unit
- 12160 Medium Hopper w/Split Cover & Shut-off Slide
- 13100 1/2" x 1/2" Polished Auger
- 13101 5/8" Bore Auger Insert

**Back to
Standard Feeder
Packages**

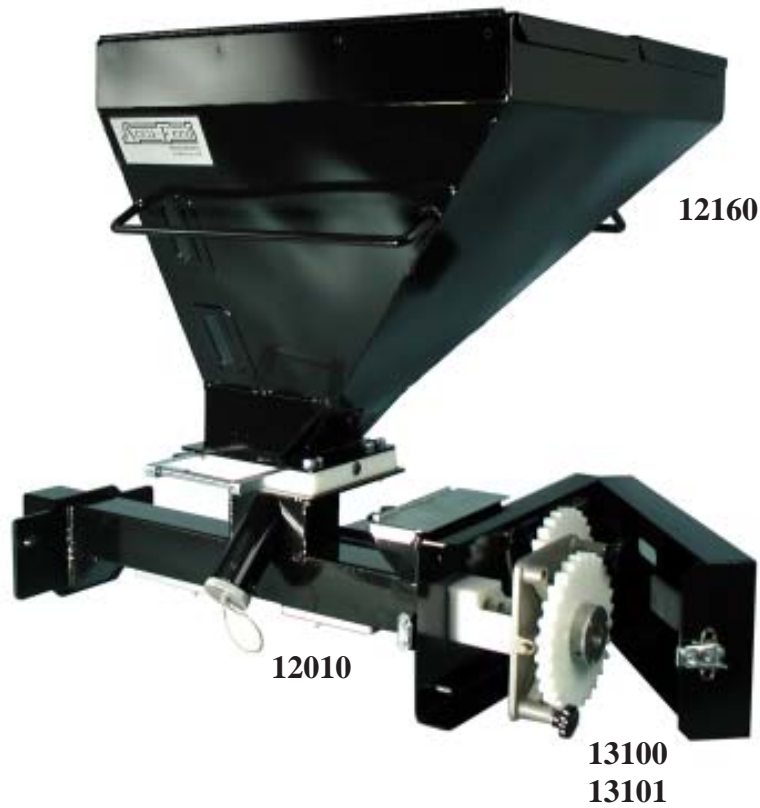
10110 1/2" x 1/2" AUGER FEEDER PACKAGE



- 12010 Colorant Body Unit
12158 Small Offset Hopper w/Split Cover & Shut-off Slide
13100 1/2" x 1/2" Polished Auger
13101 5/8" Bore Auger Insert

**Back to
Standard Feeder
Packages**

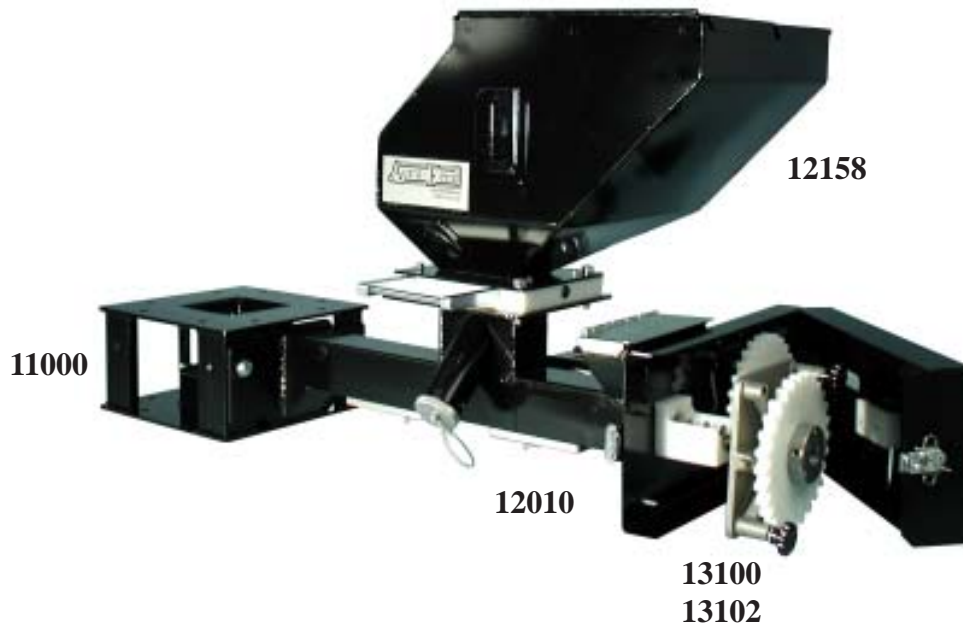
10111 1/2" x 1/2" AUGER FEEDER PACKAGE



- 12010 Colorant Body Unit
12160 Medium Hopper w/Split Cover & Shut-off Slide
13100 1/2" x 1/2" Polished Auger
13101 5/8" Bore Auger Insert

**Back to
Standard Feeder
Packages**

10120 1/2" x 1/2" AUGER FEEDER PACKAGE



- 11000 Base Mounting Unit w/Windows
- 12010 Colorant Body Unit
- 12158 Small Offset Hopper w/Split Cover & Shut-off Slide
- 13100 1/2" x 1/2" Polished Auger
- 13102 3/4" Bore Auger Insert

**Back to
Standard Feeder
Packages**

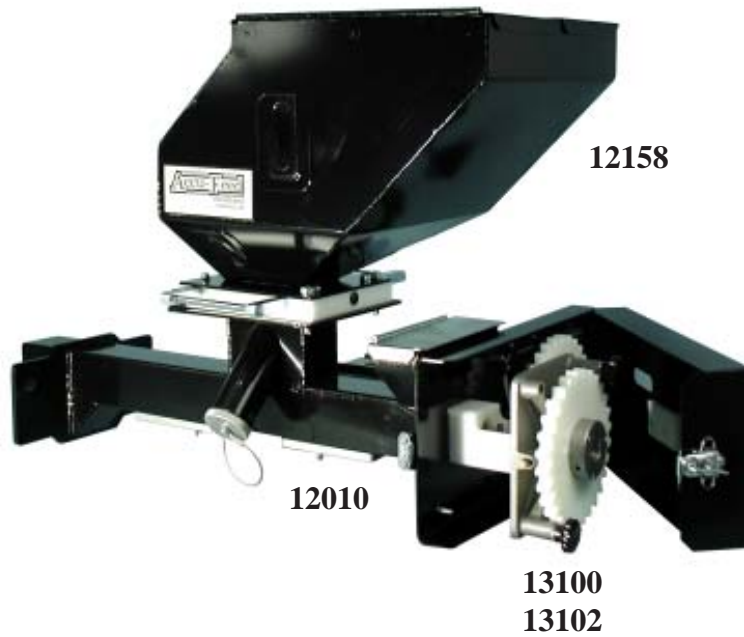
10121 1/2" x 1/2" AUGER FEEDER PACKAGE



- 11000 Base Mounting Unit w/Windows
12010 Colorant Body Unit
12160 Medium Hopper w/Split Cover & Shut-off Slide
13100 1/2" x 1/2" Polished Auger
13102 3/4" Bore Auger Insert

**Back to
Standard Feeder
Packages**

10124 1/2" x 1/2" AUGER FEEDER PACKAGE



- 12010 Colorant Body Unit
12158 Small Offset Hopper w/Split Cover & Shut-off Slide
13100 1/2" x 1/2" Polished Auger
13102 3/4" Bore Auger Insert

**Back to
Standard Feeder
Packages**

10125 1/2" x 1/2" AUGER FEEDER PACKAGE



- 12010 Colorant Body Unit
12160 Medium Hopper w/Split Cover & Shut-off Slide
13100 1/2" x 1/2" Polished Auger
13102 3/4" Bore Auger Insert

**Back to
Standard Feeder
Packages**

10127 1/2" x 1/2" AUGER REGRIND FEEDER PACKAGE

12195

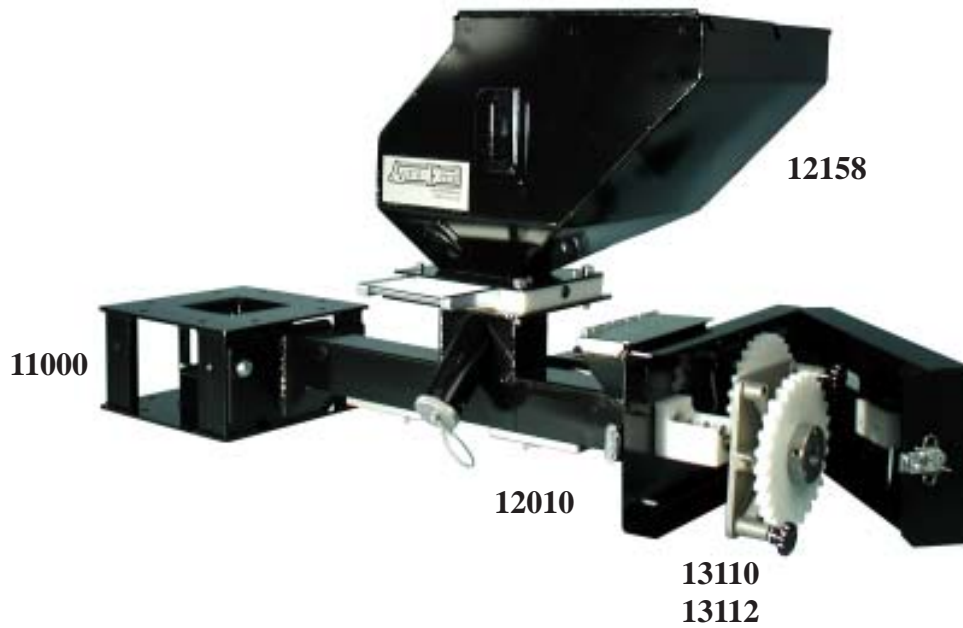


**Back to
Standard Feeder
Packages**

- 12020 Regrind Body Unit
- 12195 Drying Hopper w/Shut-off Slide
- 13100 1/2" x 1/2" Polished Auger
- 13102 3/4" Bore Auger Insert
- 14110 Sensor

13100
13102

10200 3/4" x 3/4" AUGER FEEDER PACKAGE



- 11000 Base Mounting Unit w/Windows
- 12010 Colorant Body Unit
- 12158 Small Offset Hopper w/Split Cover & Shut-off Slide
- 13110 3/4" x 3/4" Polished Auger
- 13112 1" Bore Auger Insert

**Back to
Standard Feeder
Packages**

10201 3/4" x 3/4" AUGER FEEDER PACKAGE



- 11000 Base Mounting Unit w/Windows
- 12010 Colorant Body Unit
- 12160 Medium Hopper w/Split Cover & Shut-off Slide
- 13110 3/4" x 3/4" Polished Auger
- 13112 1" Bore Auger Insert

**Back to
Standard Feeder
Packages**

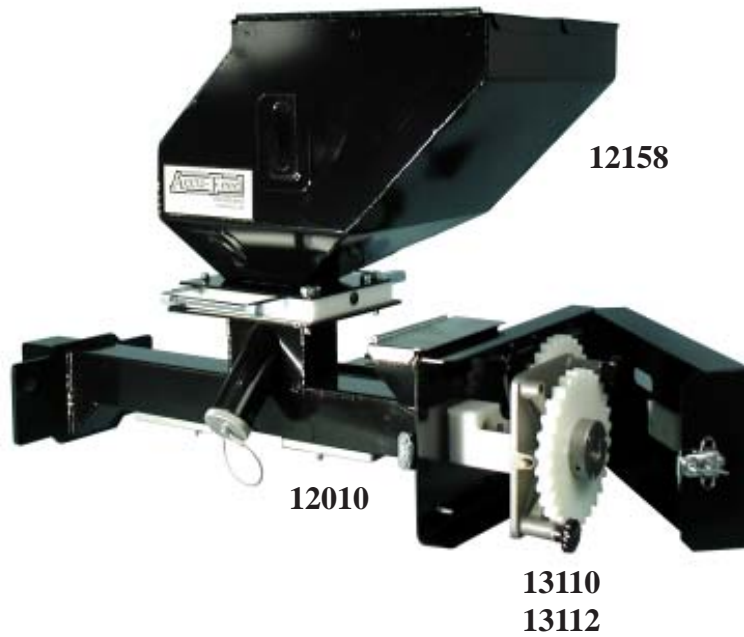
10202 3/4" x 3/4" AUGER REGRIND FEEDER PACKAGE



- 11009 Adjustable Regrind Base Mounting Unit
12020 Regrind Body Unit
12160 Medium Hopper w/Split Cover & Shut-off Slide
13110 3/4" x 3/4" Polished Auger
13122 1 1/4" Bore Auger Insert
14110 Sensor

**Back to
Standard Feeder
Packages**

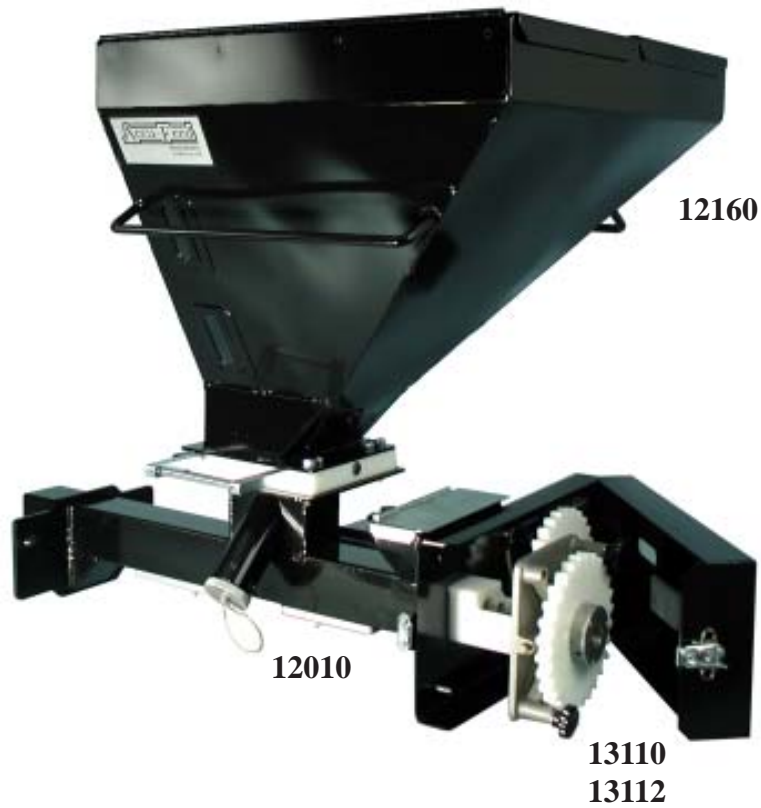
10210 3/4" x 3/4" AUGER FEEDER PACKAGE



- 12010 Colorant Body Unit
12158 Small Offset Hopper w/Split Cover & Shut-off Slide
13110 3/4" x 3/4" Polished Auger
13112 1" Bore Auger Insert

**Back to
Standard Feeder
Packages**

10211 3/4" x 3/4" AUGER FEEDER PACKAGE



- 12010 Colorant Body Unit
12160 Medium Hopper w/Split Cover & Shut-off Slide
13110 3/4" x 3/4" Polished Auger
13112 1" Bore Auger Insert

**Back to
Standard Feeder
Packages**

10212 3/4" x 3/4" AUGER FEEDER PACKAGE



- 12010 Colorant Body Unit
- 12165 Large Hopper w/Split Cover & Shut-off Slide
- 13110 3/4" x 3/4" Polished Auger
- 13112 1" Bore Auger Insert

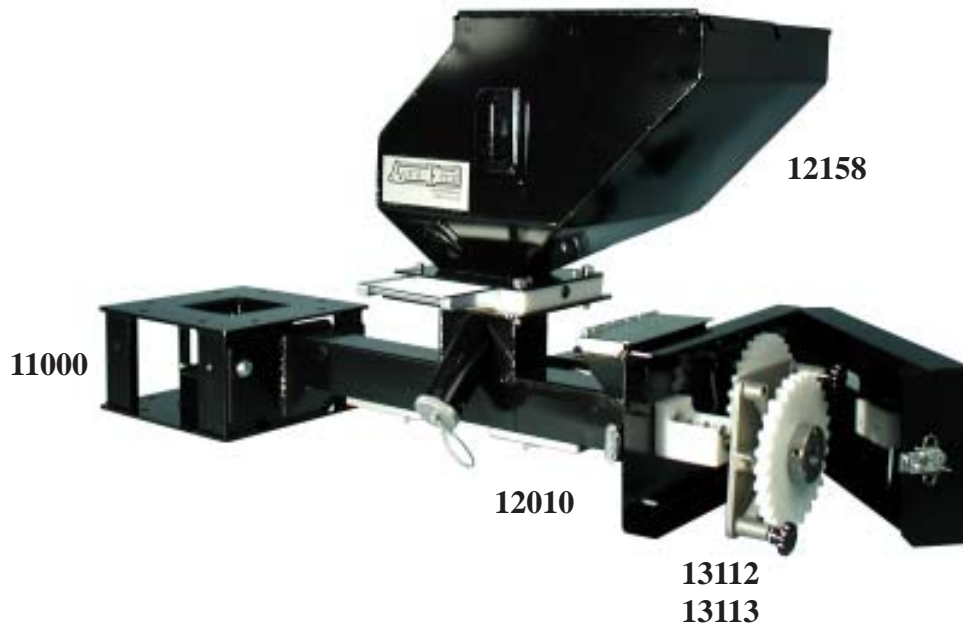
**Back to
Standard Feeder
Packages**

10213 3/4" x 3/4" AUGER REGRIND FEEDER PACKAGE



- 12020 Regrind Body Unit
- 12195 Drying Hopper w/Shut-off Slide
- 13110 3/4" x 3/4" Polished Auger
- 13112 1" Bore Auger Insert
- 14110 Sensor

10230 3/4" x 1/2" AUGER FEEDER PACKAGE



- 11000 Base Mounting Unit w/Windows
- 12010 Colorant Body Unit
- 12158 Small Offset Hopper w/Split Cover & Shut-off Slide
- 13112 1" Bore Auger Insert
- 13113 3/4" x 1/2" Polished Auger

**Back to
Standard Feeder
Packages**

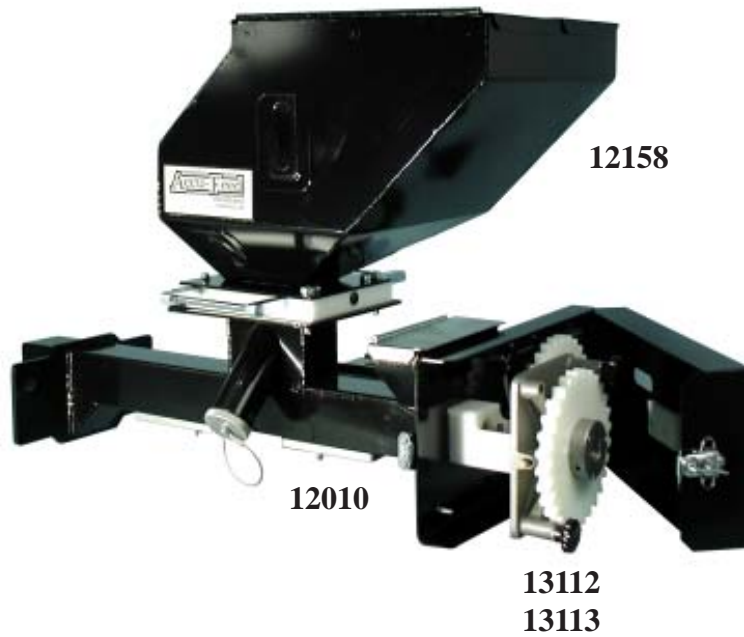
10231 3/4" x 1/2" AUGER FEEDER PACKAGE



- 11000 Base Mounting Unit w/Windows
- 12010 Colorant Body Unit
- 12160 Medium Hopper w/Split Cover & Shut-off Slide
- 13112 1" Bore Auger Insert
- 13113 3/4" x 1/2" Polished Auger

**Back to
Standard Feeder
Packages**

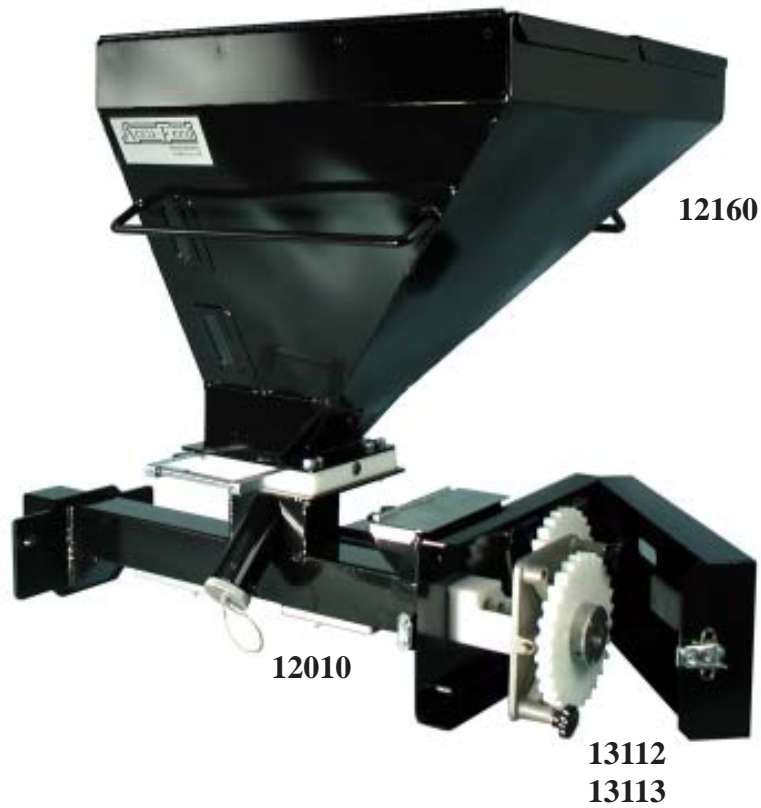
10240 3/4" x 1/2" AUGER FEEDER PACKAGE



- 12010 Colorant Body Unit
12158 Small Offset Hopper w/Split Cover & Shut-off Slide
13112 1" Bore Auger Insert
13113 3/4" x 1/2" Polished Auger

**Back to
Standard Feeder
Packages**

10241 3/4" x 1/2" AUGER FEEDER PACKAGE



- 12010 Colorant Body Unit
12160 Medium Hopper w/Split Cover & Shut-off Slide
13112 1" Bore Auger Insert
13113 3/4" x 1/2" Polished Auger

**Back to
Standard Feeder
Packages**

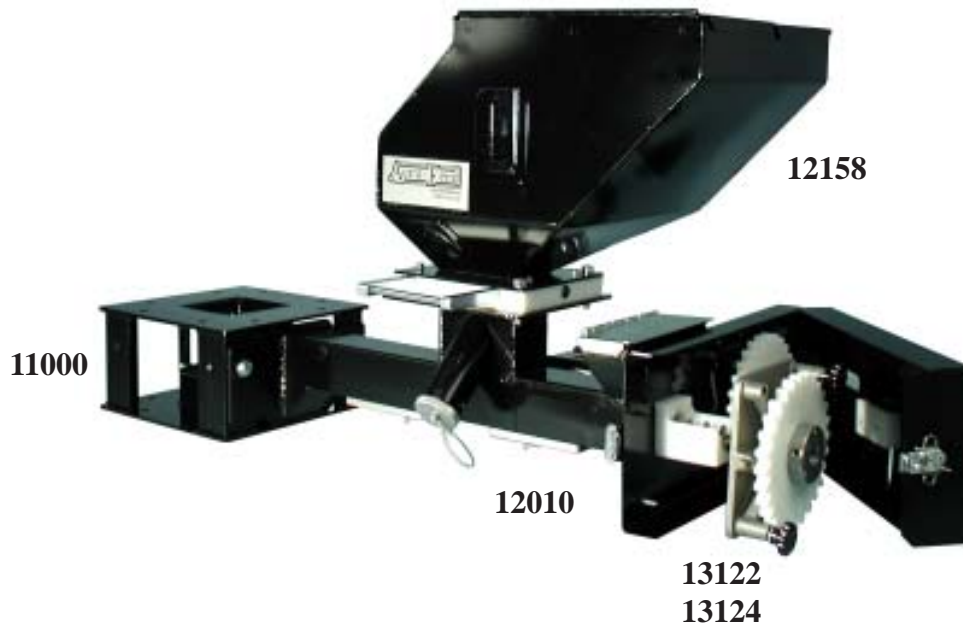
10243 3/4" x 1/2" AUGER FEEDER PACKAGE



- 12010 Colorant Body Unit
12165 Large Hopper w/Split Cover & Shut-off Slide
13112 1" Bore Auger Insert
13113 3/4" x 1/2" Polished Auger

**Back to
Standard Feeder
Packages**

10300 1" x 3/4" AUGER FEEDER PACKAGE



- 11000 Base Mounting Unit w/Windows
- 12010 Colorant Body Unit
- 12158 Small Offset Hopper w/Split Cover & Shut-off Slide
- 13122 1 1/4" Bore Auger Insert
- 13124 1" x 3/4" Polished Auger

**Back to
Standard Feeder
Packages**

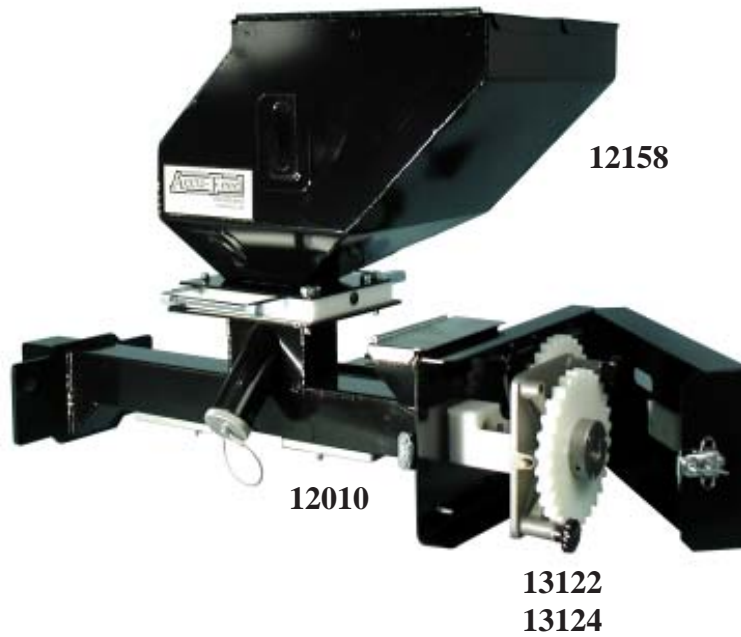
10301 1" x 3/4" AUGER FEEDER PACKAGE



- 11000 Base Mounting Unit w/Windows
- 12010 Colorant Body Unit
- 12160 Medium Hopper w/Split Cover & Shut-off Slide
- 13122 1 1/4" Bore Auger Insert
- 13124 1" x 3/4" Polished Auger

**Back to
Standard Feeder
Packages**

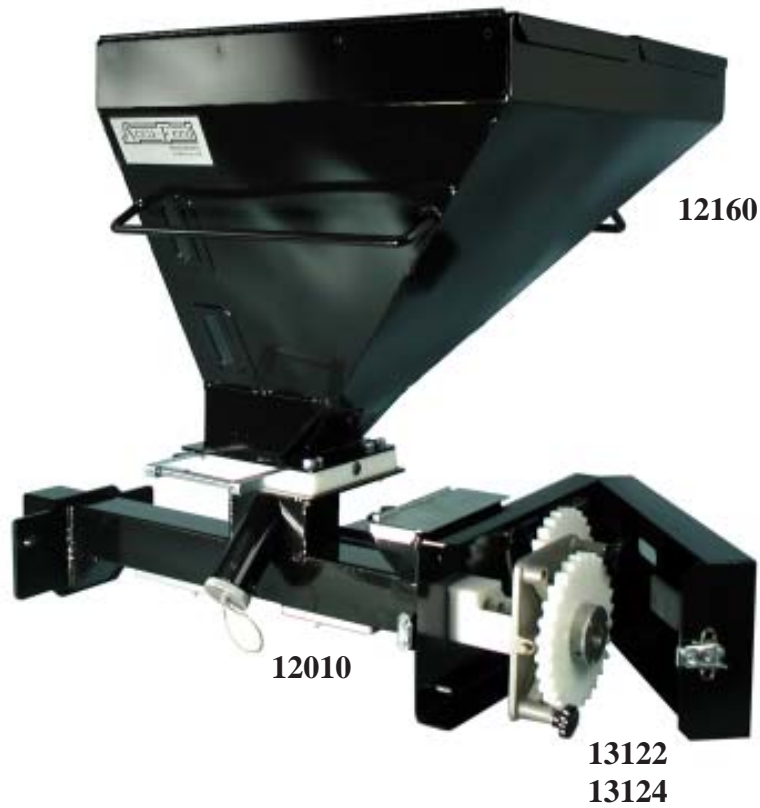
10310 1" x 3/4" AUGER FEEDER PACKAGE



- 12010 Colorant Body Unit
12158 Small Offset Hopper w/Split Cover & Shut-off Slide
13122 1 1/4" Bore Auger Insert
13124 1" x 3/4" Polished Auger

**Back to
Standard Feeder
Packages**

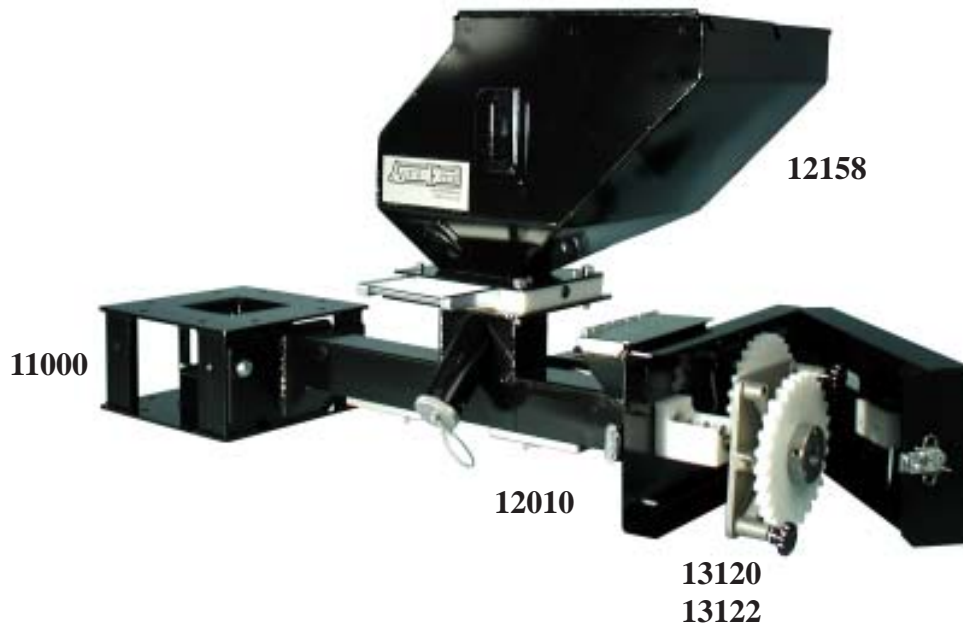
10311 1" x 3/4" AUGER FEEDER PACKAGE



- 12010 Colorant Body Unit
- 12160 Medium Hopper w/Split Cover & Shut-off Slide
- 13122 1 1/4" Bore Auger Insert
- 13124 1" x 3/4" Polished Auger

**Back to
Standard Feeder
Packages**

10400 1" x 1" AUGER FEEDER PACKAGE



- 11000 Base Mounting Unit w/Windows
- 12010 Colorant Body Unit
- 12158 Small Hopper w/Split Cover & Shut-off Slide
- 13120 1" x 1" Polished Auger
- 13122 1 1/4" Bore Auger Insert

**Back to
Standard Feeder
Packages**

10401 1" x 1" AUGER FEEDER PACKAGE



- 11000 Base Mounting Unit w/Windows
- 12010 Colorant Body Unit
- 12160 Medium Hopper w/Split Cover & Shut-off Slide
- 13120 1" x 1" Polished Auger
- 13122 1 1/4" Bore Auger Insert

**Back to
Standard Feeder
Packages**

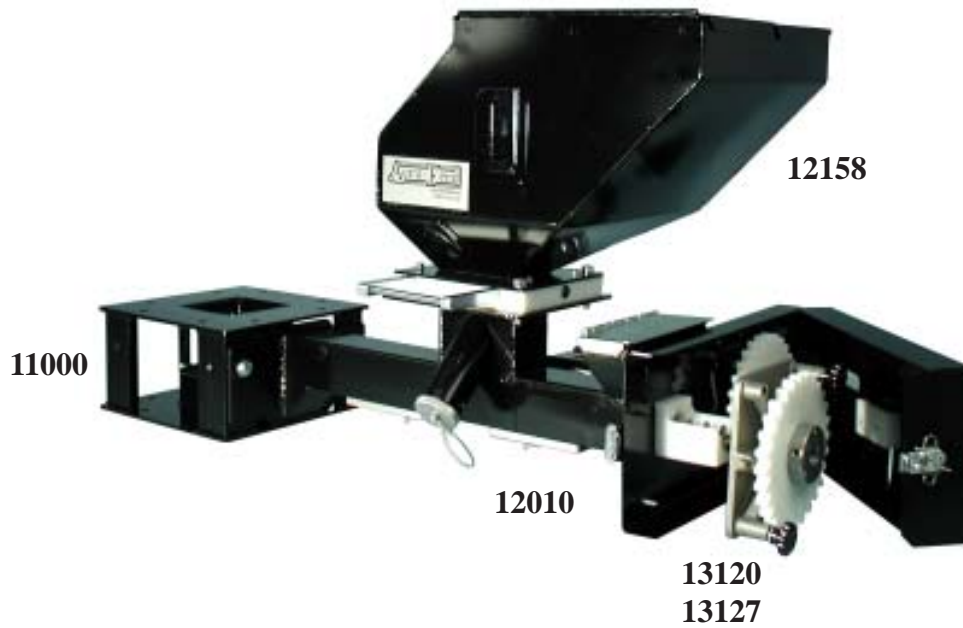
10402 1" x 1" AUGER FEEDER PACKAGE



- 11000 Base Mounting Unit w/Windows
- 12010 Colorant Body Unit
- 12165 Large Hopper w/Split Cover & Shut-off Slide
- 13120 1" x 1" Polished Auger
- 13122 1 1/4" Bore Auger Insert

**Back to
Standard Feeder
Packages**

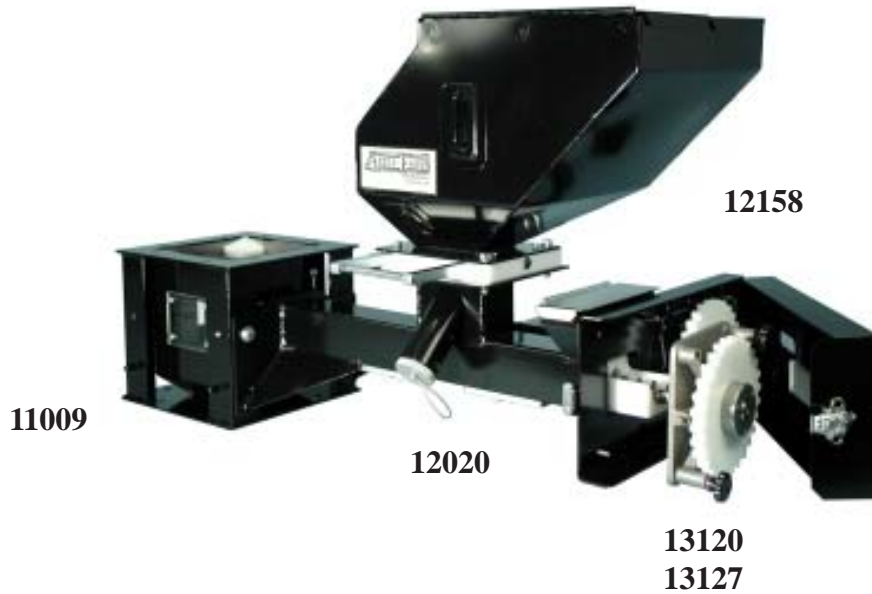
10403 1" x 1" AUGER REGRIND FEEDER PACKAGE



- 11000 Base Mounting Unit w/Windows
- 12010 Colorant Body Unit
- 12158 Small Offset Hopper w/Split Cover & Shut-off Slide
- 13120 1" x 1" Polished Auger
- 13127 1 1/2" Bore Auger Insert
- 14110 Sensor

**Back to
Standard Feeder
Packages**

10405 1" x 1" AUGER REGRIND FEEDER PACKAGE



- 11009 Adjustable Regrind Base Mounting Unit
- 12020 Regrind Body Unit
- 12158 Small Offset Hopper w/Split Cover & Shut-off Slide
- 13120 1" x 1" Polished Auger
- 13127 1 1/2" Bore Auger Insert
- 14110 Sensor

**Back to
Standard Feeder
Packages**

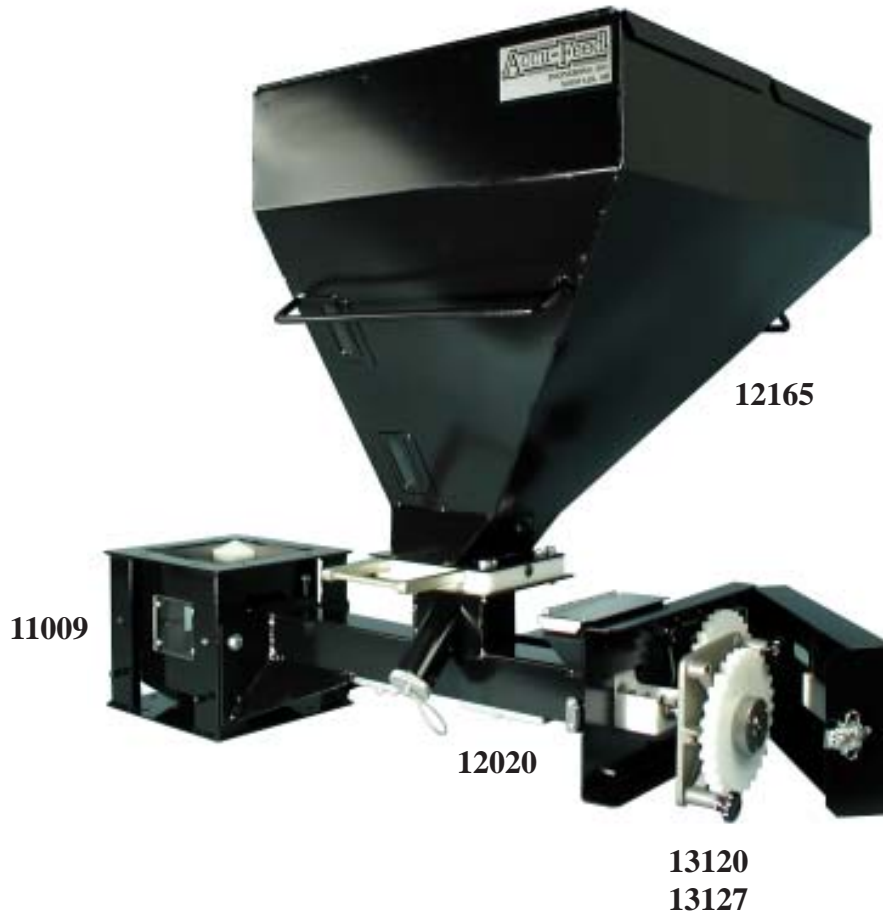
10406 1" x 1" AUGER REGRIND FEEDER PACKAGE



- 11009 Adjustable Regrind Base Mounting Unit
- 12020 Regrind Body Unit
- 12160 Medium Hopper w/Split Cover & Shut-off Slide
- 13120 1" x 1" Polished Auger
- 13127 1 1/2" Bore Auger Insert
- 14110 Sensor

**Back to
Standard Feeder
Packages**

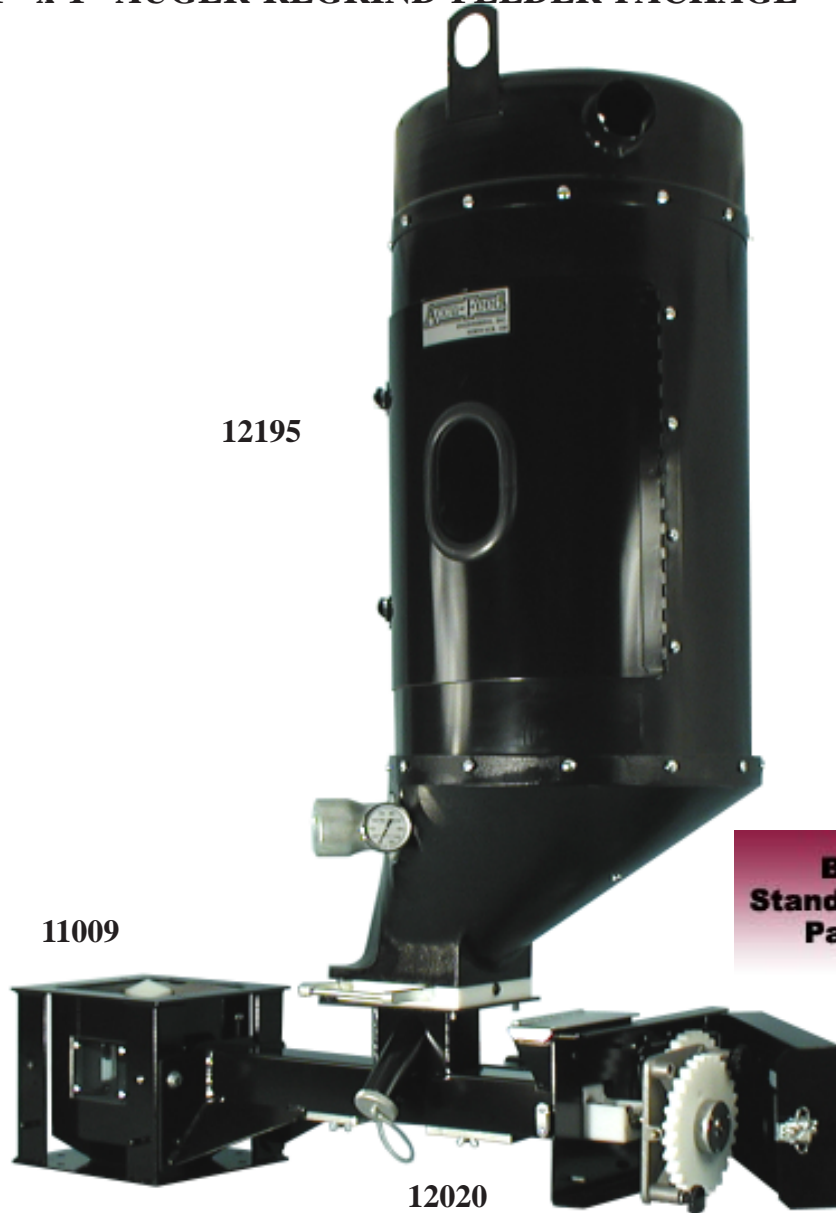
10407 1" x 1" AUGER REGRIND FEEDER PACKAGE



- 11009 Adjustable Regrind Base Mounting Unit
- 12020 Regrind Body Unit
- 12165 Large Hopper w/Split Cover & Shut-off Slide
- 13120 1" x 1" Polished Auger
- 13127 1 1/2" Bore Auger Insert
- 14110 Sensor

**Back to
Standard Feeder
Packages**

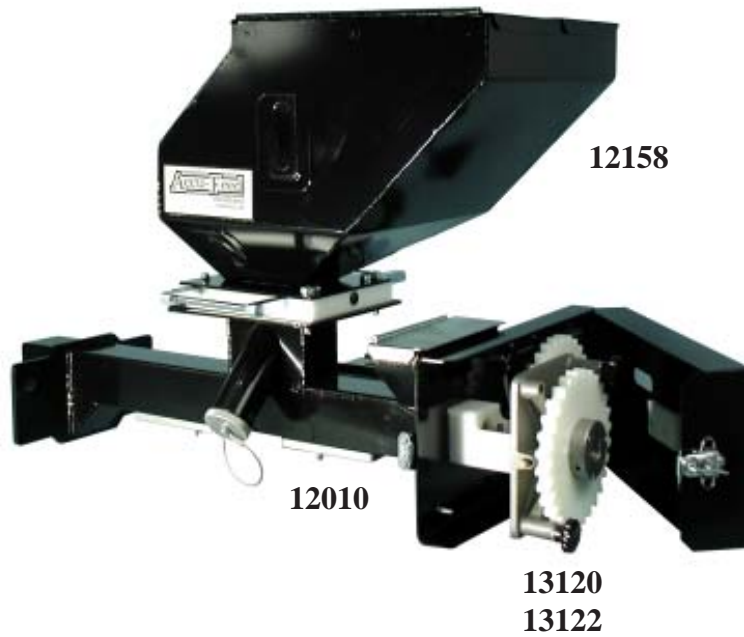
10408 1" x 1" AUGER REGRIND FEEDER PACKAGE



- 11009 Adjustable Regrind Base Mounting Unit
- 12020 Regrind Body Unit
- 12195 Drying Hopper w/Shut-off Slide
- 13120 1" x 1" Polished Auger
- 13127 1 1/2" Bore Auger Insert
- 14110 Sensor

**Back to
Standard Feeder
Packages**

10410 1" x 1" AUGER FEEDER PACKAGE



- 12010 Colorant Body Unit
12158 Small Offset Hopper w/Split Cover & Shut-off Slide
13120 1" x 1" Polished Auger
13122 1 1/4" Bore Auger Insert

**Back to
Standard Feeder
Packages**

10411 1" x 1" AUGER FEEDER PACKAGE



- 12010 Colorant Body Unit
12160 Medium Hopper w/Split Cover & Shut-off Slide
13120 1" x 1" Polished Auger
13122 1 1/4" Bore Auger Insert

**Back to
Standard Feeder
Packages**

10412 1" x 1" AUGER FEEDER PACKAGE



- 12010 Colorant Body Unit
- 12165 Large Hopper w/Split Cover & Shut-off Slide
- 13120 1" x 1" Polished Auger
- 13122 1 1/4" Bore Auger Insert

**Back to
Standard Feeder
Packages**

10417 1 1/4" x 1" AUGER REGRIND FEEDER PACKAGE



- 11009 Adjustable Regrind Base Mounting Unit
- 12020 Regrind Body Unit
- 12160 Medium Hopper w/Split Cover & Shut-off Slide
- 13125 1 1/4" x 1" Auger
- 13132 1 7/8" Bore Auger Insert
- 14110 Sensor

**Back to
Standard Feeder
Packages**

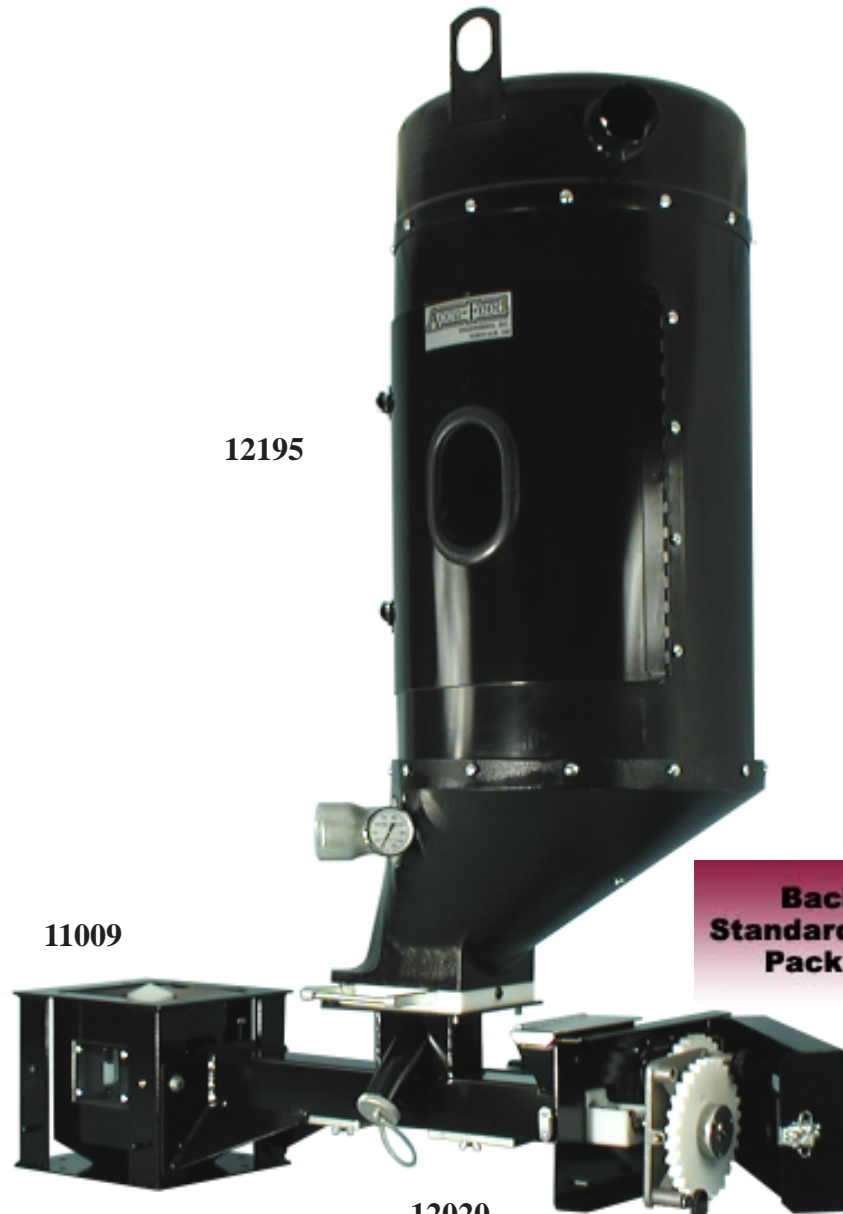
10418 1 1/4" x 1" AUGER REGRIND FEEDER PACKAGE



- 11009 Adjustable Regrind Base Mounting Unit
- 12020 Regrind Body Unit
- 12165 Large Hopper w/Split Cover & Shut-off Slide
- 13125 1 1/4" x 1" Auger
- 13132 1 7/8" Bore Auger Insert
- 14110 Sensor

**Back to
Standard Feeder
Packages**

10419 1 1/4" x 1" AUGER REGRIND FEEDER PACKAGE



- 11009 Adjustable Regrind Base Mounting Unit
- 12020 Regrind Body Unit
- 12195 Drying Hopper w/Shut-off Slide
- 13125 1 1/4" x 1" Auger
- 13132 1 7/8" Bore Auger Insert
- 14110 Sensor

**Back to
Standard Feeder
Packages**

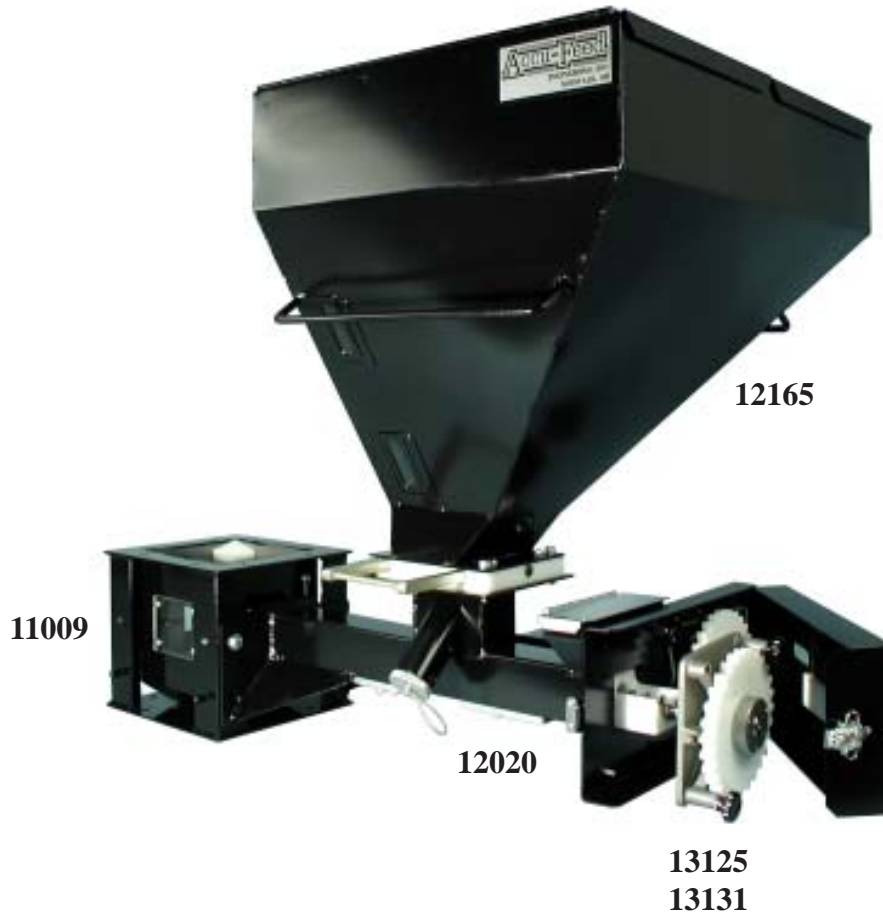
10420 1 1/4" x 1" AUGER REGRIND FEEDER PACKAGE



- 11009 Adjustable Regrind Base Mounting Unit
- 12020 Regrind Body Unit
- 12160 Medium Hopper w/Split Cover & Shut-off Slide
- 13125 1 1/4" x 1" Auger
- 13131 1 11/16" Bore Auger Insert
- 14110 Sensor

**Back to
Standard Feeder
Packages**

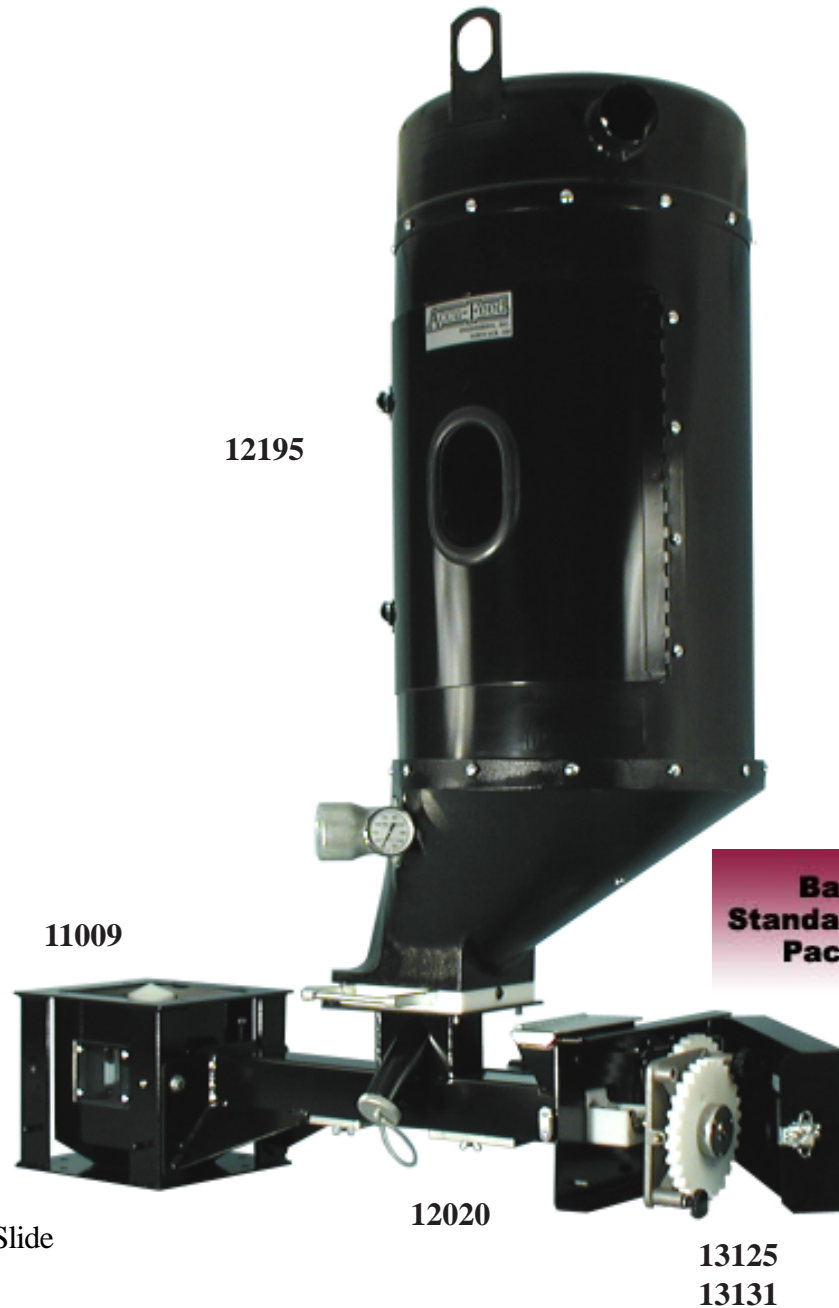
10421 1 1/4" x 1" AUGER REGRIND FEEDER PACKAGE



- 11009 Adjustable Regrind Base Mounting Unit
- 12020 Regrind Body Unit
- 12165 Large Hopper w/Split Cover & Shut-off Slide
- 13125 1 1/4" x 1" Auger
- 13131 1 11/16" Bore Auger Insert
- 14110 Sensor

**Back to
Standard Feeder
Packages**

10422 1 1/4" x 1" AUGER REGRIND FEEDER PACKAGE



- 11009 Adjustable Regrind Base Mounting Unit
- 12020 Regrind Body Unit
- 12195 Drying Hopper w/Shut-off Slide
- 13125 1 1/4" x 1" Auger
- 13131 1 11/16" Bore Auger Insert
- 14110 Sensor

10423 1 1/4" x 1" AUGER FEEDER PACKAGE



- 11000 Base Mounting Unit w/Windows
12010 Colorant Body Unit
12160 Medium Hopper w/Split Cover & Shut-off Slide
13125 1 1/4" x 1" Auger
13127 1 1/2" Bore Auger Insert

**Back to
Standard Feeder
Packages**

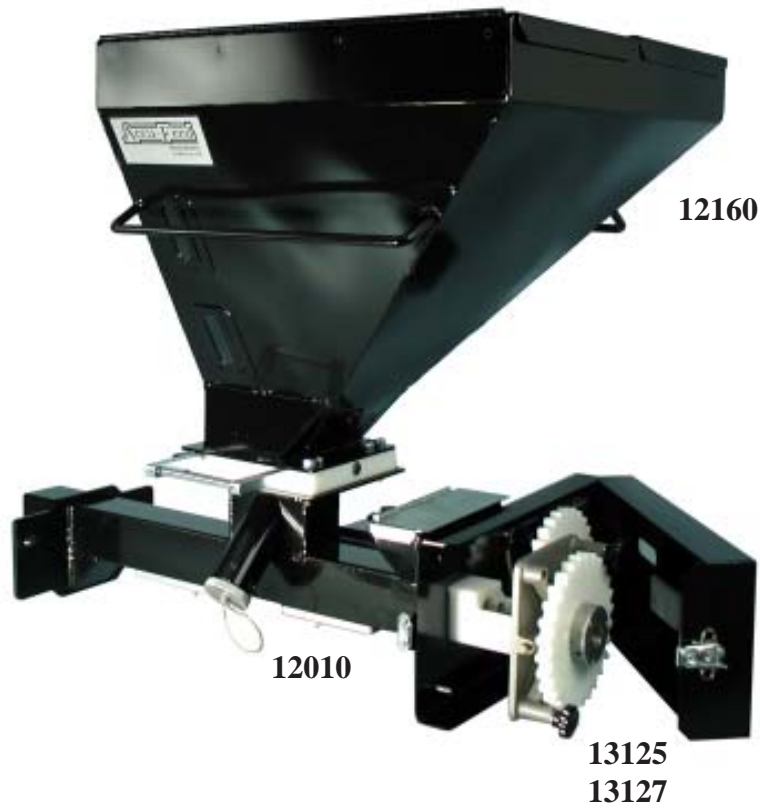
10424 1 1/4" x 1" AUGER FEEDER PACKAGE



- 11000 Base Mounting Unit w/Windows
- 12010 Colorant Body Unit
- 12165 Large Hopper w/Split Cover & Shut-off Slide
- 13125 1 1/4" x 1" Auger
- 13127 1 1/2" Bore Auger Insert

**Back to
Standard Feeder
Packages**

10426 1 1/4" x 1" AUGER FEEDER PACKAGE



- 12010 Colorant Body Unit
- 12160 Medium Hopper w/Split Cover & Shut-off Slide
- 13125 1 1/4" x 1" Auger
- 13127 1 1/2" Bore Auger Insert

**Back to
Standard Feeder
Packages**

10427 1 1/4" x 1" AUGER FEEDER PACKAGE



- 12010 Colorant Body Unit
- 12165 Large Hopper w/Split Cover & Shut-off Slide
- 13125 1 1/4" x 1" Auger
- 13127 1 1/2" Bore Auger Insert

**Back to
Standard Feeder
Packages**

10430 1 1/2" x 1" AUGER FEEDER PACKAGE



- 11000 Base Mounting Unit w/Windows & Regrind Baffle
12010 Colorant Body Unit
12160 Medium Hopper w/Split Cover & Shut-off Slide
13130 1 1/2" x 1" Auger
13131 1 11/16" Bore Auger Insert

**Back to
Standard Feeder
Packages**

10440 1 1/2" x 1" AUGER REGRIND FEEDER PACKAGE



- 11009 Adjustable Regrind Base Mounting Unit
- 12020 Regrind Body Unit
- 12160 Medium Hopper w/Split Cover & Shut-off Slide
- 13130 1 1/2" x 1" Auger
- 13132 1 7/8" Bore Auger Insert
- 14110 Sensor

**Back to
Standard Feeder
Packages**

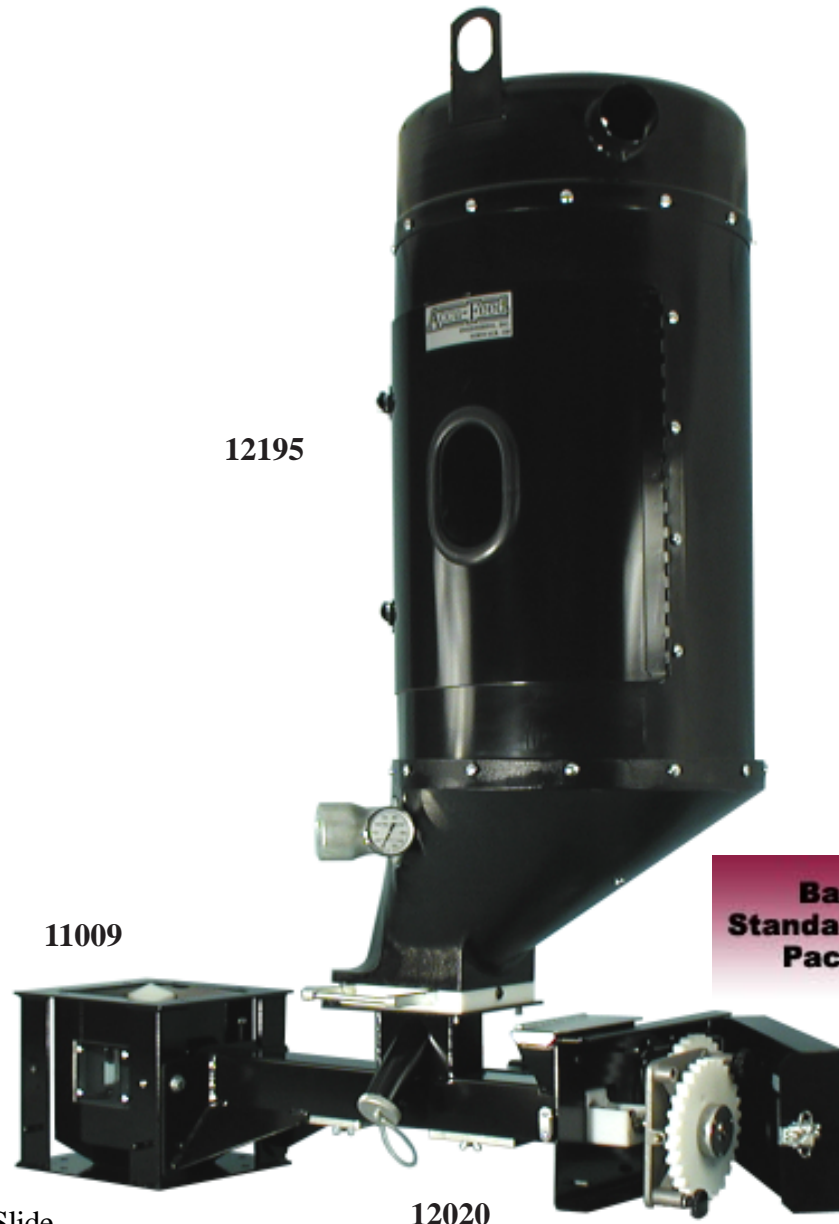
10441 1 1/2" x 1" AUGER REGRIND FEEDER PACKAGE



- 11009 Adjustable Regrind Base Mounting Unit
- 12020 Regrind Body Unit
- 12165 Large Hopper w/Split Cover & Shut-off Slide
- 13130 1 1/2" x 1" Auger
- 13132 1 7/8" Bore Auger Insert
- 14110 Sensor

**Back to
Standard Feeder
Packages**

10442 1 1/2" x 1" AUGER REGRIND FEEDER PACKAGE



**Back to
Standard Feeder
Packages**

- 11009 Adjustable Regrind Base
Mounting Unit
- 12020 Regrind Body Unit
- 12195 Drying Hopper w/Shut-off Slide
- 13130 1 1/2" x 1" Auger
- 13132 1 7/8" Bore Auger Insert
- 14110 Sensor

12020

**13130
13132**

10470 1 1/2" x 1 1/2" AUGER REGRIND FEEDER PACKAGE



- 11009 Adjustable Regrind Base Mounting Unit
- 12020 Regrind Body Unit
- 12160 Medium Hopper w/Split Cover & Shut-off Slide
- 13132 1 7/8" Bore Auger Insert
- 13135 1 1/2" x 1 1/2" Auger
- 14110 Sensor

**Back to
Standard Feeder
Packages**

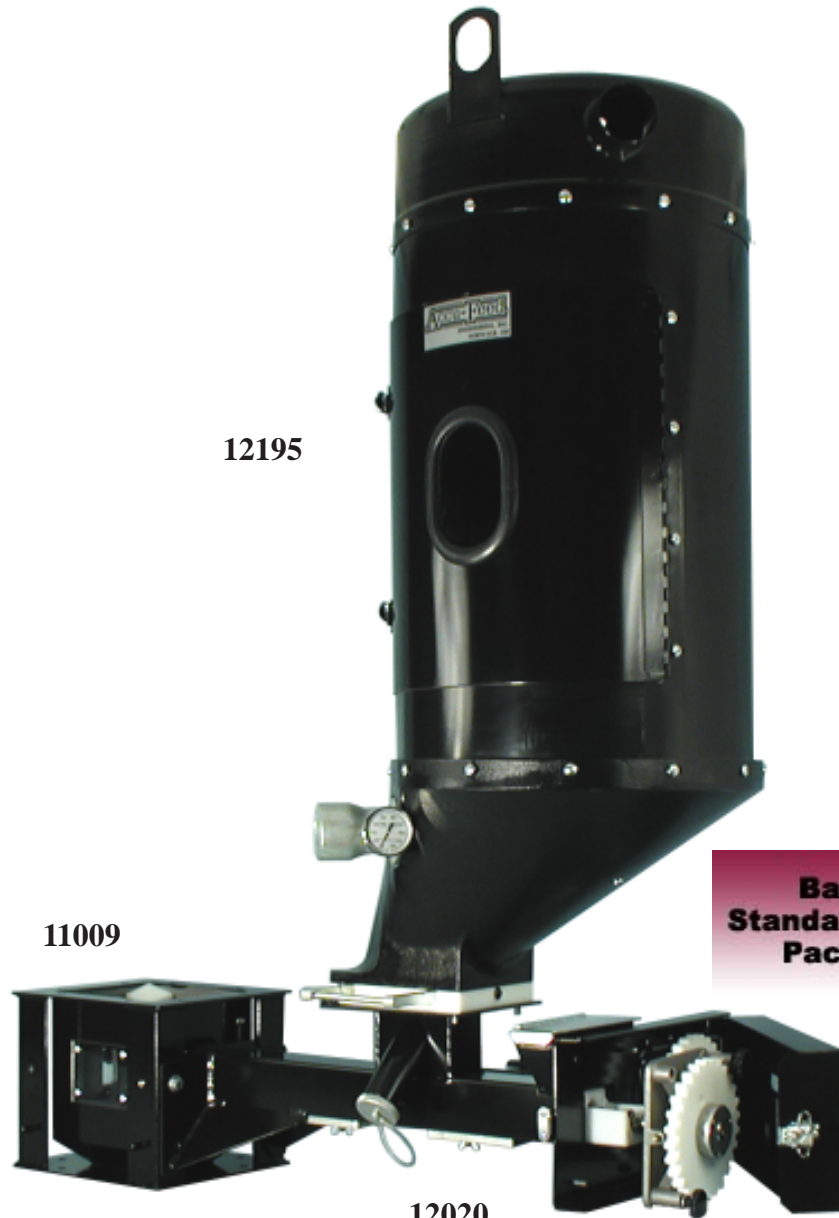
10471 1 1/2" x 1 1/2" AUGER REGRIND FEEDER PACKAGE



- 11009 Adjustable Regrind Base Mounting Unit
- 12020 Regrind Body Unit
- 12165 Large Hopper w/Split Cover & Shut-off Slide
- 13132 1 7/8" Bore Auger Insert
- 13135 1 1/2" x 1 1/2" Auger
- 14110 Sensor

**Back to
Standard Feeder
Packages**

10472 1 1/2" x 1 1/2" AUGER REGRIND FEEDER PACKAGE

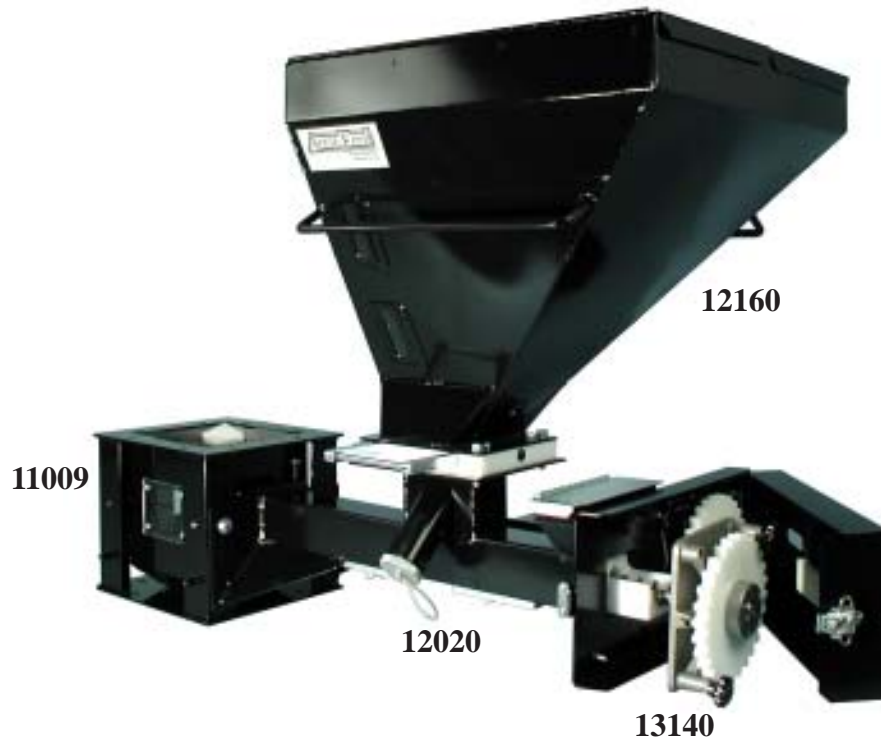


- 11009 Adjustable Regrind Base Mounting Unit
- 12020 Regrind Body Unit
- 12195 Drying Hopper w/Shut-off Slide
- 13132 1 7/8" Bore Auger Insert
- 13135 1 1/2" x 1 1/2" Auger
- 14110 Sensor

12020

13132
13135

10500 2" x 2" AUGER REGRIND FEEDER PACKAGE



- 11009 Adjustable Regrind Base Mounting Unit
- 12020 Regrind Body Unit
- 12160 Medium Hopper w/Split Cover & Shut-off Slide
- 13140 2" x 2" Auger
- 14110 Sensor

**Back to
Standard Feeder
Packages**

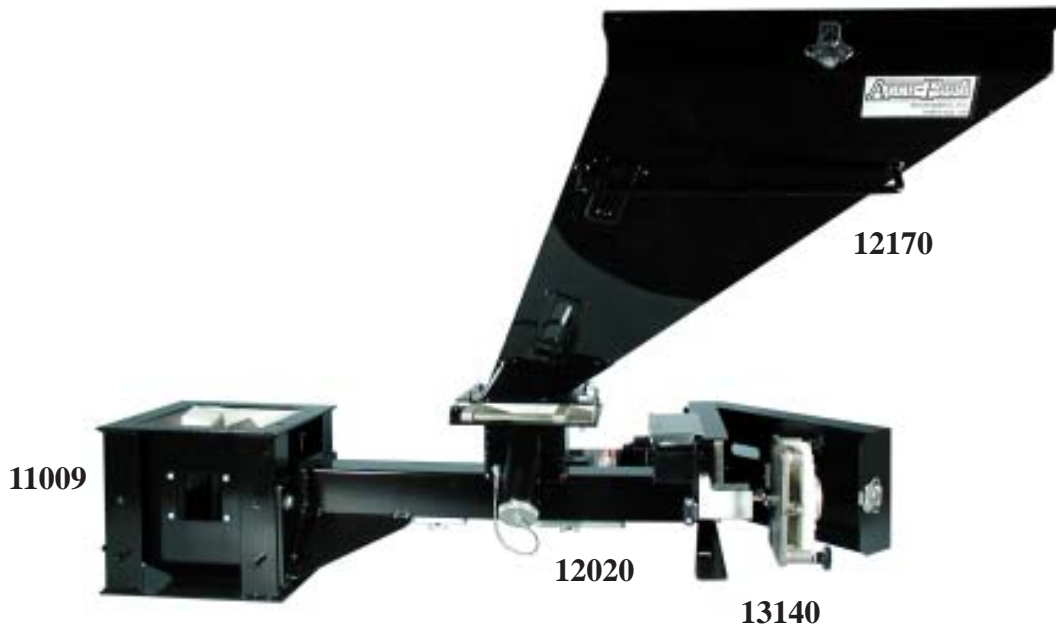
10501 2" x 2" AUGER REGRIND FEEDER PACKAGE



- 11009 Adjustable Regrind Base Mounting Unit
- 12020 Regrind Body Unit
- 12165 Large Hopper w/Split Cover & Shut-off Slide
- 13140 2" x 2" Auger
- 14110 Sensor

**Back to
Standard Feeder
Packages**

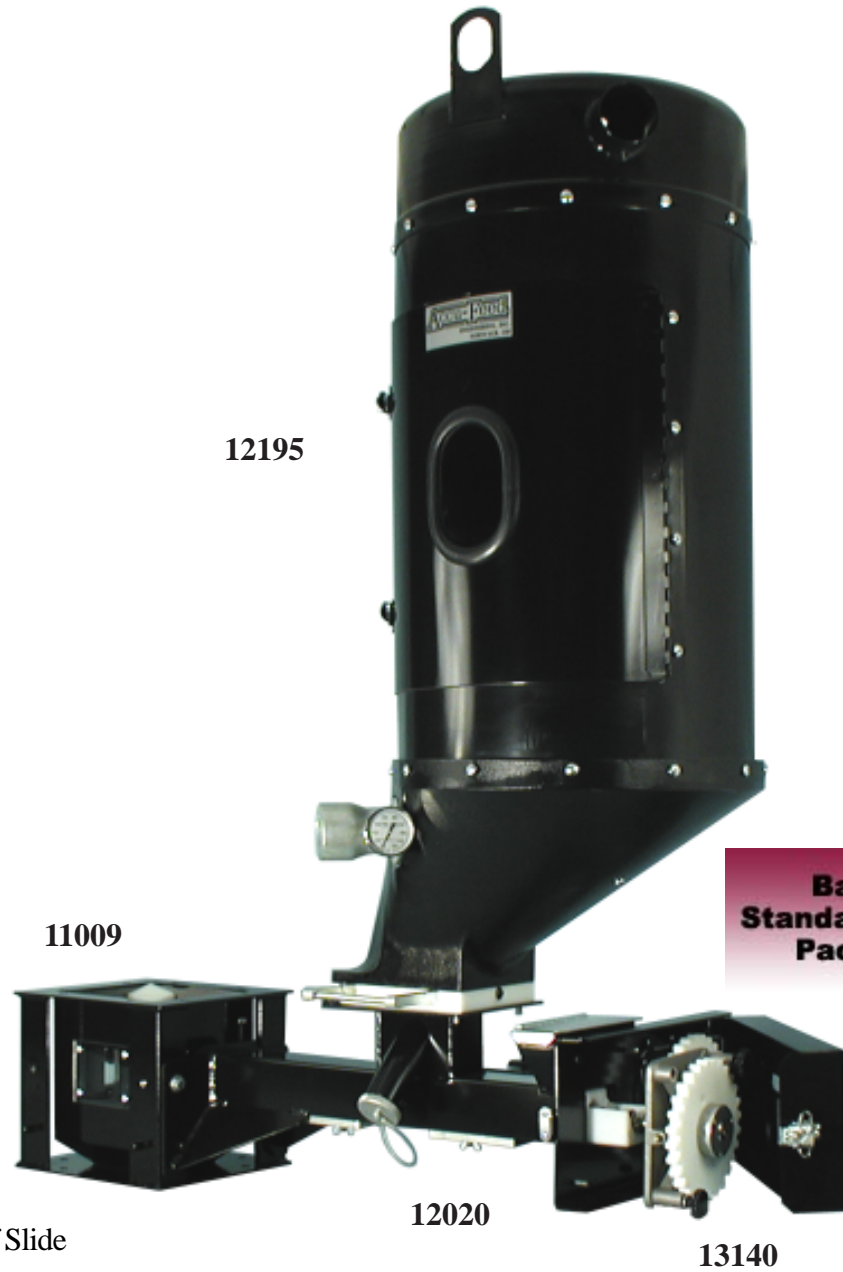
10502 2" x 2" AUGER REGRIND FEEDER PACKAGE



- 11009 Adjustable Regrind Base Mounting Unit
12020 Regrind Body Unit
12170 Large Offset Hopper w/Split Cover & Shut-off Slide
13140 2" x 2" Auger
14110 Sensor

**Back to
Standard Feeder
Packages**

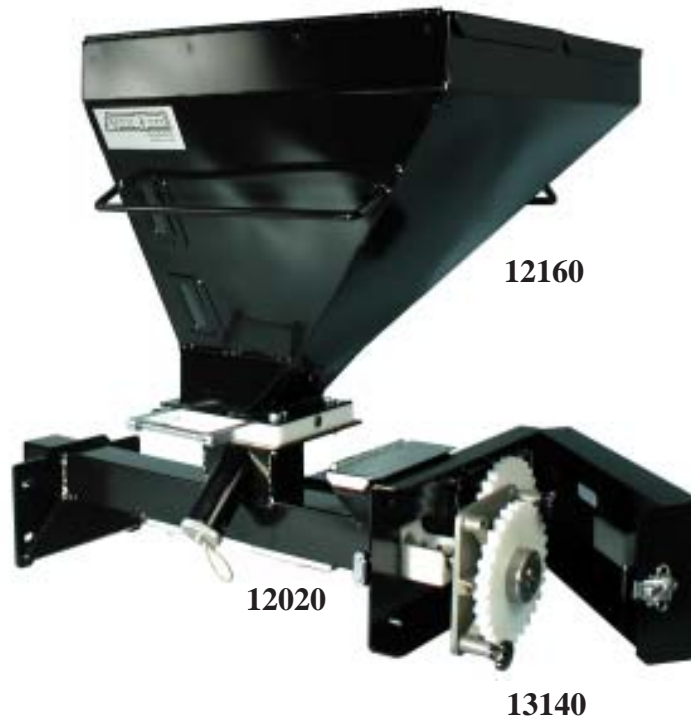
10503 2" x 2" AUGER REGRIND FEEDER PACKAGE



- 11009 Adjustable Regrind Base Mounting Unit
- 12020 Regrind Body Unit
- 12195 Drying Hopper w/Shut-off Slide
- 13140 2" x 2" Auger
- 14110 Sensor

**Back to
Standard Feeder
Packages**

10510 2" x 2" AUGER REGRIND FEEDER PACKAGE



- 12020 Regrind Body Unit
- 12160 Medium Hopper w/Split Cover & Shut-off Slide
- 13140 2" x 2" Auger
- 14110 Sensor

**Back to
Standard Feeder
Packages**

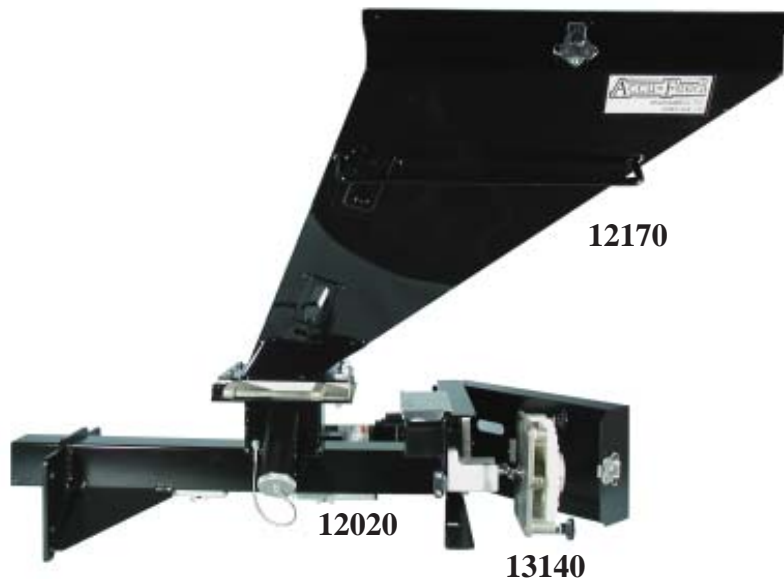
10511 2" x 2" AUGER REGRIND FEEDER PACKAGE



- 12020 Regrind Body Unit
12165 Large Hopper w/Split Cover & Shut-off Slide
13140 2" x 2" Auger
14110 Sensor

**Back to
Standard Feeder
Packages**

10512 2" x 2" AUGER REGRIND FEEDER PACKAGE



- 12020 Regrind Body Unit
- 12170 Large Offset Hopper w/Split Cover & Shut-off Slide
- 13140 2" x 2" Auger
- 14110 Sensor

**Back to
Standard Feeder
Packages**

10600 2" x 1" AUGER REGRIND FEEDER PACKAGE



- 11009 Adjustable Regrind Base Mounting Unit
12020 Regrind Body Unit
12160 Medium Hopper w/Split Cover & Shut-off Slide
13145 2" x 1" Auger
14110 Sensor

**Back to
Standard Feeder
Packages**

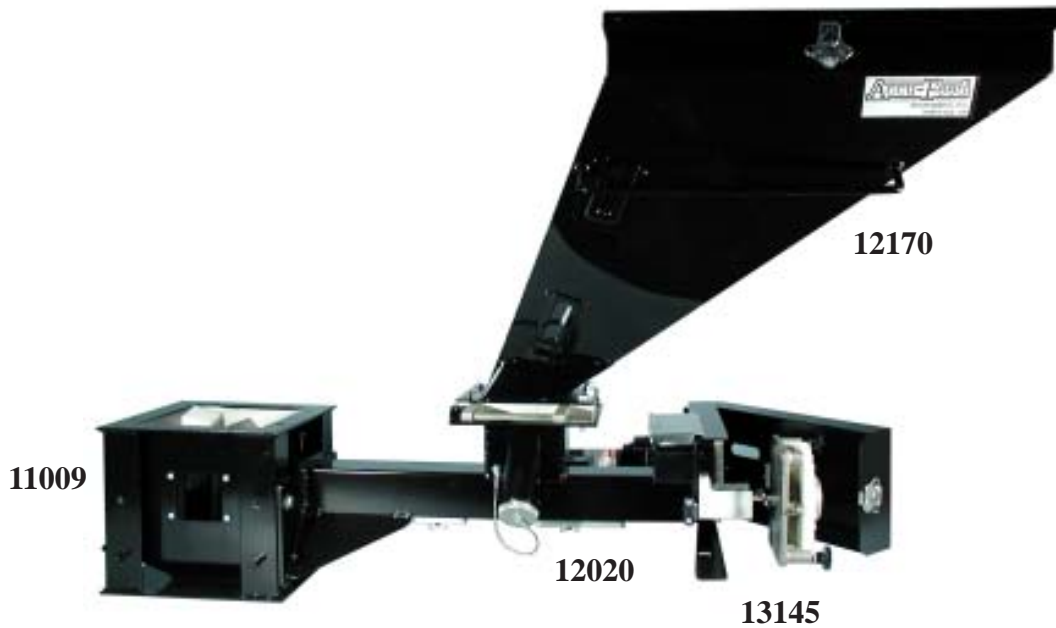
10601 2" x 1" AUGER REGRIND FEEDER PACKAGE



- 11009 Adjustable Regrind Base Mounting Unit
- 12020 Regrind Body Unit
- 12165 Large Hopper w/Split Cover & Shut-off Slide
- 13145 2" x 1" Auger
- 14110 Sensor

**Back to
Standard Feeder
Packages**

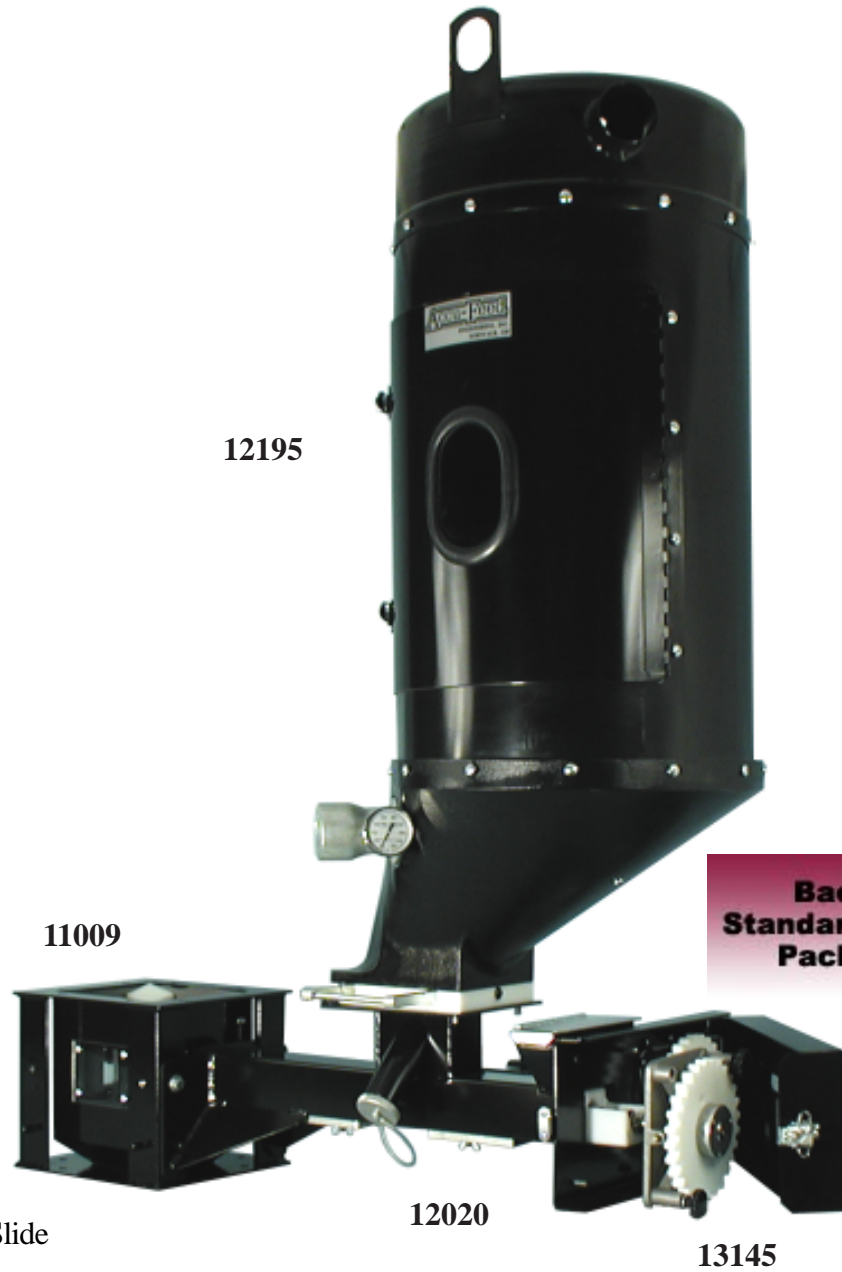
10602 2" x 1" AUGER REGRIND FEEDER PACKAGE



- 11009 Adjustable Regrind Base Mounting Unit
- 12020 Regrind Body Unit
- 12170 Large Offset Hopper w/Split Cover & Shut-off Slide
- 13145 2" x 1" Auger
- 14110 Sensor

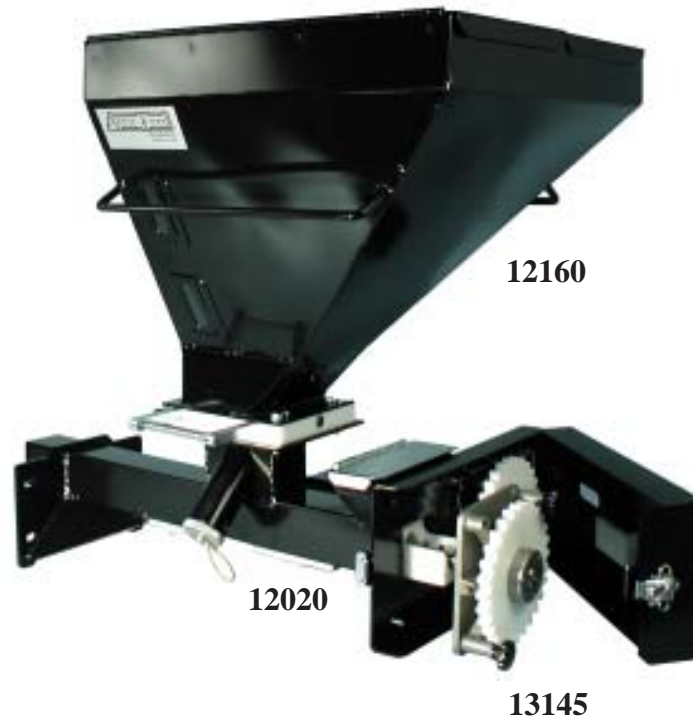
**Back to
Standard Feeder
Packages**

10603 2" x 1" AUGER REGRIND FEEDER PACKAGE



- 11009 Adjustable Regrind Base Mounting Unit
- 12020 Regrind Body Unit
- 12195 Drying Hopper w/Shut-off Slide
- 13145 2" x 1" Auger
- 14110 Sensor

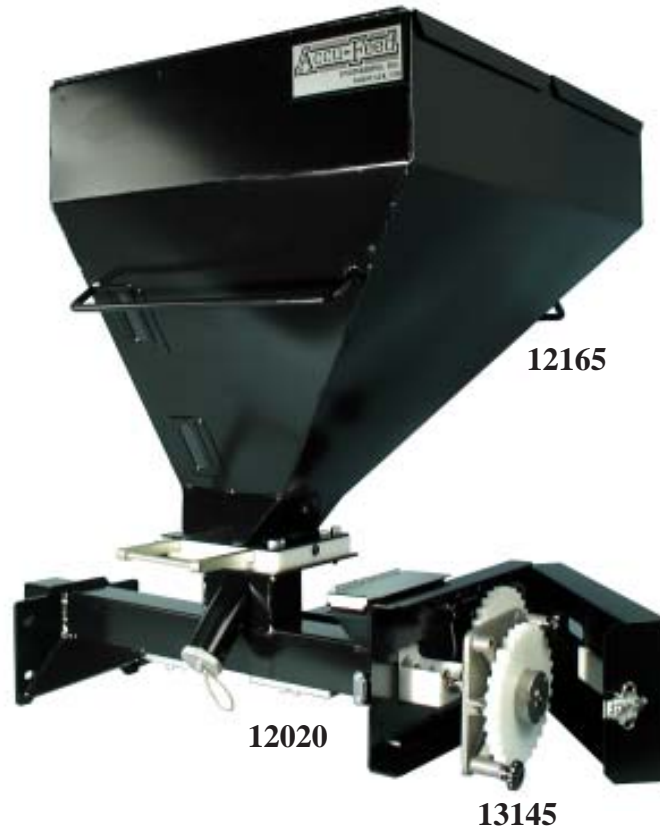
10610 2" x 1" AUGER REGRIND FEEDER PACKAGE



- 12020 Re grind Body Unit
- 12160 Medium Hopper w/Split Cover & Shut-off Slide
- 13145 2" x 1" Auger
- 14110 Sensor

**Back to
Standard Feeder
Packages**

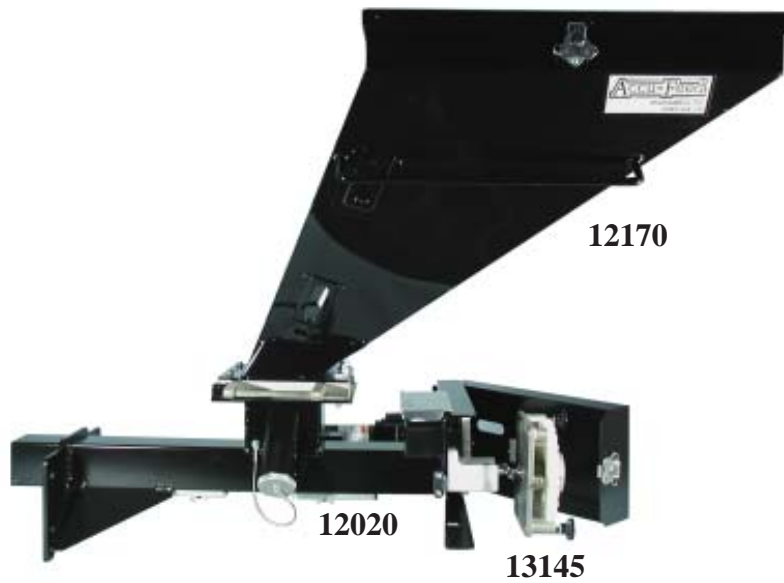
10611 2" x 1" AUGER REGRIND FEEDER PACKAGE



- 12020 Regrind Body Unit
- 12165 Large Hopper w/Split Cover & Shut-off Slide
- 13145 2" x 1" Auger
- 14110 Sensor

**Back to
Standard Feeder
Packages**

10612 2" x 1" AUGER REGRIND FEEDER PACKAGE



- 12020 Regrind Body Unit
12170 Large Offset Hopper w/Split Cover & Shut-off Slide
13145 2" x 1" Auger
14110 Sensor

**Back to
Standard Feeder
Packages**

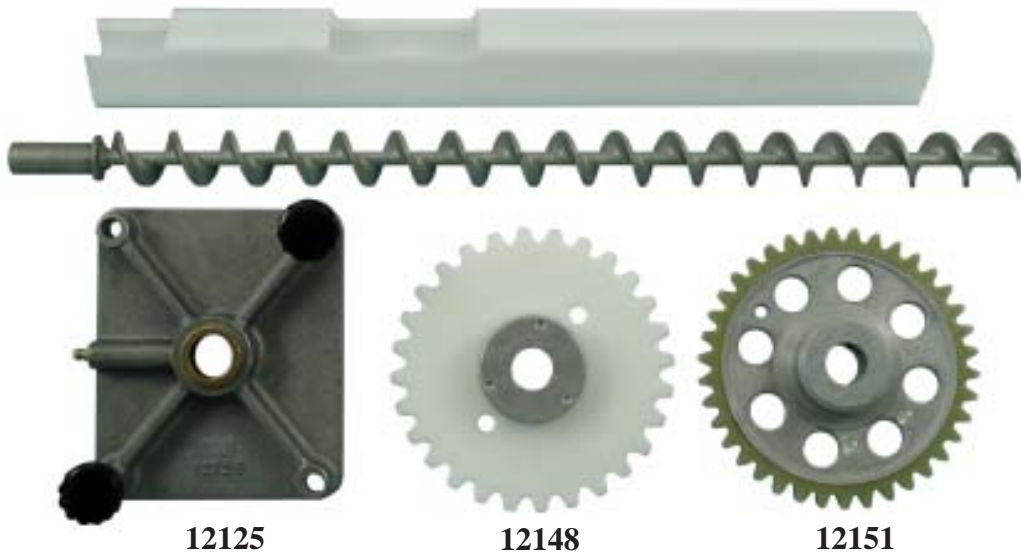
STANDARD FEEDER AUGER ASSEMBLIES



13160	1/2" x 1/2" Auger Assembly (13101 5/8" Bore Insert)
13161	1/2" x 1/2" Auger Assembly (13102 3/4" Bore Insert)
13162	1/2" x 1/4" Auger Assembly (13101 5/8" Bore Insert)
13163	1/2" x 1/4" Auger Assembly (13102 3/4" Bore Insert)
13165	3/4" x 1/2" Auger Assembly (13112 1" Bore Insert)
13166	3/4" x 3/4" Auger Assembly (13112 1" Bore Insert)
13167	3/4" x 1/2" Auger Assembly (13111 7/8" Bore Insert)
13168	3/4" x 3/4" Auger Assembly (13111 7/8" Bore Insert)
13170	1" x 1/2" Auger Assembly (13122 1 1/4" Bore Insert)
13171	1" x 3/4" Auger Assembly (13122 1 1/4" Bore Insert)
13172	1" x 1" Auger Assembly (13122 1 1/4" Bore Insert)
13173	1 1/4" x 1" Auger Assembly (13132 1 7/8" Bore Insert)
13174	1 1/4" x 1" Auger Assembly (13127 1 1/2" Bore Insert)
13175	1 1/2" x 1" Auger Assembly (13132 1 7/8" Bore Insert)
13176	1 1/2" x 1" Auger Assembly (13131 1 11/16" Bore Insert)
13177	1 1/2" x 1 1/2" Auger Assembly (13132 1 7/8" Bore Insert)
13178	1" x 1" Auger Assembly (13127 1 1/2" Bore Insert)
13179	1 1/4" x 1" Auger Assembly (13131 1 11/16" Bore Insert)
13180	2" x 2" Auger Assembly (No Insert)
13181	2" x 1" Auger Assembly (No Insert)

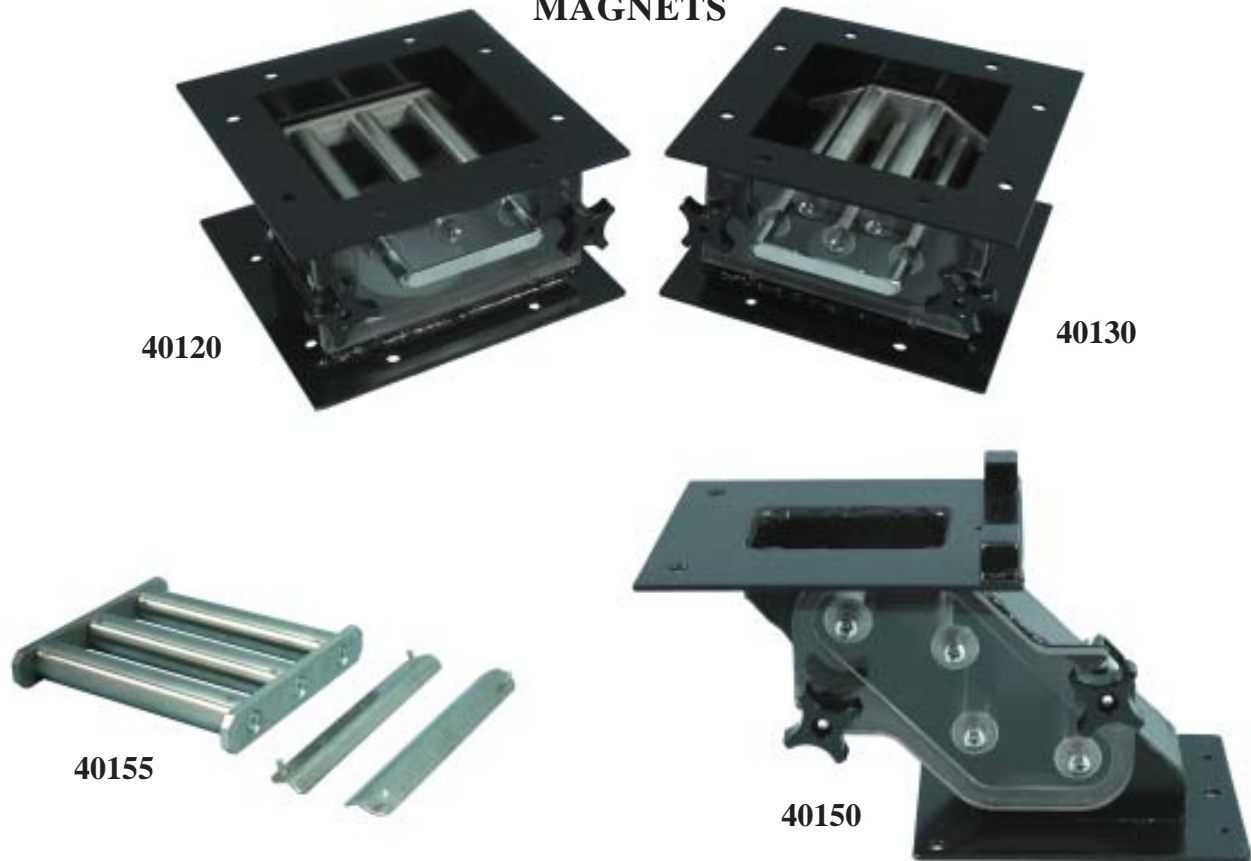
**Assemblies Come Completely Assembled and Include
Auger & Insert, 12125 Bearing Plate Assembly,
and 12148 or 12151 Auger Gear & Hub Assembly.**

STANDARD FEEDER AUGERS & INSERTS



- | | |
|-------|--|
| 12125 | Auger Bearing Plate Assembly |
| 12140 | Gear (Nylon Teeth w/Aluminum Center) |
| 12141 | Gear (All Nylon) |
| 12148 | Auger Gear & Hub Assembly (All Nylon Gear) |
| 12151 | Auger Gear & Hub Assembly (Nylon Teeth w/Aluminum Center Gear) |
| 13100 | 1/2" x 1/2" Polished Auger |
| 13101 | 5/8" Bore Auger Insert for 1/2" Auger |
| 13102 | 3/4" Bore Auger Insert for 1/2" Auger |
| 13105 | 1/2" x 1/4" Polished Auger |
| 13110 | 3/4" x 3/4" Polished Auger |
| 13111 | 7/8" Bore Auger Insert for 3/4" Auger |
| 13112 | 1" Bore Auger Insert for 3/4" Auger |
| 13113 | 3/4" x 1/2" Polished Auger |
| 13114 | 3/4" x 1" Polished Auger |
| 13120 | 1" x 1" Polished Auger |
| 13122 | 1 1/4" Bore Auger Insert for 1" Auger |
| 13123 | 1" x 1/2" Polished Auger |
| 13124 | 1" x 3/4" Polished Auger |
| 13125 | 1 1/4" x 1" Auger |
| 13127 | 1 1/2" Bore Auger Insert for 1 1/4" Auger |
| 13130 | 1 1/2" x 1" Auger |
| 13131 | 1 11/16" Bore Auger Insert for 1 1/2" Auger |
| 13132 | 1 7/8" Bore Auger Insert for 1 1/4" or 1 1/2" Auger |
| 13135 | 1 1/2" x 1 1/2" Auger |
| 13140 | 2" x 2" Auger |
| 13145 | 2" x 1" Auger |
| 13195 | Auger Insert Puller |

MAGNETS



- 40120 Low Profile Drawer Magnet (3 Magnets)
- 40130 Low Profile Drawer Magnet (5 Magnets)
- 40150 Offset Drawer Magnet
- 40155 Drop In Magnet for Hopper

Our Low Profile Drawer Magnets are for use with our Standard Feeders. The 10" square base offers greater rigidity and is only 5" tall for added clearance when mounting feeders and auxiliary equipment. This magnet can be used for other applications with the addition of our 1/2" aluminum adapter plate for special bolt patterns. They are made with 1/2" Lexan® windows and aluminum back tie bars. The front covers are machined with a step around the edge for a total seal, eliminating the need for pellet-trapping gaskets.

The Offset Drawer Magnet fits on our Standard Feeders to raise the material hopper up 6 inches and back 5 1/2 inches for additional virgin material hopper clearance and greater protection when running regrind. It has four stainless tubes with ceramic magnets, arranged to make the material flow over and around the magnets. The 1/2" Lexan® window is machined with a step that fits into the housing, eliminating the need for a gasket.

The 6" Hopper Magnet comes with stainless rails to install into the bottom of the feeder hopper. This traps contaminants that could damage your molding machine.

PARTS FOR 12000 STANDARD FEEDER

11000	Base Mounting Unit w/Windows
11001	Base Mounting Unit w/Windows & Flow Diverter
11002	Base Mounting Unit Top Cover
11008	Regrind Base Mounting Unit for 100% Regrind
11009	Adjustable Regrind Base Mounting Unit
11010	Regrind Base Mounting Unit w/Windows & Regrind Baffle
11011	Regrind Base Mounting Unit (1 1/4" Openings)
11012	Regrind Base Mounting Unit (1 3/4" Openings)
11100	No Leak Base Unit Slide Assembly w/Top Plate (UHMW)
11101	No Leak Base Unit Slide Assembly w/o Top Plate (UHMW)
11102	No Leak Slide Plate (Aluminum)
11103	No Leak Slide Plate (UHMW)
11104	No Leak Slide
11105	Base Unit Shut-off Slide Plate, Base Unit (UHMW) (Old Style)
11106	Base Unit Shut-off Slide, Base Unit (Aluminum) (Old Style)
11110	Window, Base Unit w/Screws
11115	Colorant Baffle w/Screws
11120	Flow Diverter w/Screws (Aluminum Casting)
12114	Calibration Block-Off Plate
11200	Aluminum Adapter Plate (8" x 8" x 1/2")
16114	Aluminum Adapter Plate (10" x 10" x 1/2")
11210	Aluminum Adapter Plate (10" x 10" x 1")
11215	Aluminum Adapter Plate (12" x 12" x 1/2")
11220	Aluminum Adapter Plate (12" x 12" x 1")
12010	Colorant Body Unit w/o Hopper, Auger & Sleeve
12020	Regrind Body Unit w/o Hopper, Auger & Sleeve
12101	Feeder Support Brace
12110	Gear Guard w/Latch
12112	Latch
12113	Insert Puller Bracket
12114	Calibration Block-Off Plate
12115	Slide Cover, Calibration Port
12116	Stud & Wing Nut, Calibration Port Slide



12117	Calibration Port Slide Assembly (12115-12116)
12120	Auger Bearing Plate w/Bearings
12121	Auger Plate Bearings (2)
12122	Auger Plate Studs (4) (1/4-20 x 1" SHCS)
12123	Nuts, Auger Bearing Plate (4)
12125	Auger Bearing Plate Assembly (12120, 12127, 12128)
12126	Auger Bearing Plate Casting
12127	Auger Bearing Plate Shaft
12128	Auger Bearing Plate Knob
12130	Hinged Cover, Calibration Port w/Bolts & Nuts (Square)
12131	Calibration Hopper
12132	Regrind Calibration Hopper
12134	Cap, Drain Port (Screw on)
12135	Drain Port Plug w/Cable (Aluminum Twist On)
12136	Cable, Drain Port Cap
12137	Drain Tube (1 7/8" OD x 10" Long)
12139	Sensor Block-off Plate w/Bolts & Nuts
12140	Gear (Nylon Teeth w/Aluminum Center)
12141	Gear (All Nylon)
12142	Motor Gear Hub (for All Nylon Gear)
12143	Auger Gear Hub (for All Nylon Gear)
12145	Motor Gear Hub (5/8" Bore) (for 12140 Nylon Teeth w/Aluminum Center Gear)
12146	Motor Gear & Hub Assembly (12140 Nylon Teeth w/Aluminum Center Gear & 12145)
12147	Motor Gear & Hub Assembly (12141 All Nylon Gear & 12142 Motor Gear Hub)
12148	Auger Gear & Hub Assembly (12141 All Nylon Gear & 12143 Auger Gear Hub)
12150	Auger Gear Hub (7/8" Bore) (for 12140 Nylon Teeth w/Aluminum Center Gear)
12151	Auger Gear & Hub Assembly (12140 Nylon Teeth w/Aluminum Center Gear & 12150)
12158	Small Hopper w/Split Cover & Shut-off Slide 12" x 12" Top Opening 1/2 Cubic Foot Capacity Holds Approximately 17.5 lbs of Concentrate
12158-09	Split Cover, Small Hopper (for Material Loader)
12159	Cover, Small Hopper
12160	Medium Hopper w/Split Cover & Shut-off Slide 17 1/2" x 17 1/2" Top Opening 1 1/4 Cubic Feet Capacity Holds Approximately 44 lbs of Concentrate



12160-10	Split Cover, Medium Hopper
12160-11	Split Cover, Medium Hopper (for Material Loader)
12161	Medium Hopper w/Solid Cover w/Gasket & Shut-off Slide
12165	Large Hopper w/Split Cover & Shut-off Slide 17 1/2" x 22" Top Opening 2 1/4 Cubic Feet Capacity Holds Approximately 79 lbs of Concentrate
12166	Small Hopper w/Solid Cover w/Gasket & Shut-off Slide
12167	Hopper Extension (8 1/4 Cubic Feet of Additional Capacity for Hopper 12165)
12170	Large Offset Hopper w/Split Cover & Shut-off Slide 18" x 24" Top Opening 2 Cubic Feet Capacity Holds approximately 70 lbs of Concentrate
12171	Cover, Large Offset Hopper
12174	Drum Hopper Assembly Complete (12175 & 12176)
12175	Drum Hopper w/Shut-off Slide
12176	Mounting Adapter, Drum Hopper
12177	Latch, Drum Hopper
12178	Short Mounting Adapter, Drum Hopper
12183	Hopper Window
12184	Hopper Window Plate (Weld On)
12185	Hopper Slide (Old Style)
12186	Hopper Slide Plate w/Ball Detent (UHMW) (Old Style)
12187	Hopper Slide Plate w/Ball Detent (ALUMINUM) (Old Style)
12188	Ball Detent, Hopper Plate
12189	No Leak Hopper Slide
12192	No Leak Hopper Slide Plate w/Ball Detent (UHMW)
12193	No Leak Hopper Slide Plate w/Ball Detent (ALUMINUM)
12195	Drying Hopper 15 1/2" Diameter, 39" Height (including the shut-off slide Top cover comes with any size opening & any bolt pattern Includes two (2) Y connector valves to adapt the drying hopper to your present dryer Valves can be set to control the amount of flow from your drying hopper
12195-03	Tall Drying Hopper 54" overall height
12194	Base Mounting Extension (for use w/Chute)
12194-01	Drain Chute
12195-07	Door, Drying Hopper
12195-08	Window, Drying Hopper



12195-13	Cone, Drying Hopper
12195-16	Latches, Drying Hopper
12195-17	Weatherstripping, Drying Hopper
12196	Cover, Drying Hopper
16038	6" Diverter w/2 1/2" Valve (Pair of 2)
16039	6" Diverter w/3" Valve (Pair of 2)
16040	2" Y Diverter Valve (Pair of 2)
16041	3" Y Diverter Valve (Pair of 2)
16042	6" Diverter w/2" Valve (Pair of 2)
16046	4" Y Diverter w/2" Valve (Pair of 2)
16047	4" Y Diverter Valve (Pair of 2)
16048	2 1/2" Y Diverter Valve (Pair of 2)
16049	1 1/2" Y Diverter Valve (Pair of 2)
16120	2" Offset Hopper Adapter
16121	4" Offset Hopper Adapter
16122	6" Offset Hopper Adapter
16123	8" Offset Hopper Adapter
16124	10" Offset Hopper Adapter
16125	12" Offset Hopper Adapter
33200	10# Intermixer
34200	5# Intermixer

33200 10# INTERMIXER & 34200 5# INTERMIXER

This style intermixer is designed to incorporate a special removable paddle with hardened ends to make clean-up easier. The Lexan front cover comes with a special hub and bearing assembly and swing away locks for easy removal and replacement.

INTERCHANGABLE PARTS FOR THE 33200 10# INTERMIXER & 34200 5# INTERMIXER

14055-11	Power Cord Plug Assembly (w/Twist Lock Plug)
31100-13	Swing Bolts
31210	Power Cord Assembly w/Inline Switch
33125	Front Bearing Hub Assembly (33126 Bearing Hub & 33127 Bearing)
33127	Front Bearing (McGill ER-16)
33128	Paddle Drive Bushing
33141	Micro Switch Only
33142	Micro Switch Cover
33143	Micro Switch Screw Plate w/Screws
33144	Micro Switch Assembly (Switch, Plate w/Screws, Cord, Strain Relief, Cover)
34175	Knob, Front Cover
34181	Sprocket, Paddle Drive (5/8" Bore)
34183	Connector Link (#40)
34184	Half-Link (#40)
34210	Rear Bearing Drive Assembly
34211	Bearing Housing
34212	Bearing Retainer Plate
34213	Drive Shaft Collar
34214	Drive Shaft
34215	Timken Bearing & Race (L44610 & L44643)
34216	CR Seal #12350



PARTS FOR THE 33200 10# INTERMIXER ONLY

33100-07	Guard w/Hinge
33100-10	Baffle
33170	Lexan Front Cover Assembly (33125 Hub & Bearing, 33171 Cover, 33128 Bushing)
33171	Lexan Front Cover Only
33180	Motor (Dayton 2Z832)
33181	Sprocket, Motor Drive (3/4" Bore)
33182	Chain (#40 - 27" Long)
33220	Mixing Paddle

PARTS FOR THE 34200 5# INTERMIXER ONLY

31100-07	Guard w/Hinge
31100-11	Baffle
34170	Lexan Front Cover Assembly (33125 Hub & Bearing, 34171 Cover, 33128 Bushing)
34171	Lexan Front Cover Only
34180	Motor (Dayton 6K331)
34181	Sprocket, Motor Drive (5/8" Bore)
34182	Chain (#40 - 23 1/2" Long)
34220	Mixing Paddle

PARTS FOR 5# & 10# INTERMIXERS WITH REMOVABLE TRAYS & PADDLES

31120	Liner w/Bearings (5# Intermixer)
31125	Liner Assembly (5# Intermixer Includes 31120, 31130 & 12146)
31127	5# Rear Bearings (Sold as a Pair) (SF2028-10)
31130	Drive Shaft, 5/8" Paddle (5# Intermixer)
31135	Drive Shaft, 1/2" Paddle (5# Intermixer)
31140	Mixing Paddle, 5/8" Shaft (5# Intermixer)
31141	Mixing Paddle w/Bearing Drive (5# Intermixer)
31145	Mixing Paddle, 1/2" Shaft (5# Intermixer)
31160	Lexan Cover (5# Intermixer)
31161	Flange Bearing (Press In - 5/16" Bore)
31162	Flange Bearing (Bolt In - 5/16" Bore)
31164	Lexan Cover w/o Roller Bearing (5# Intermixer)
31165	Lexan Cover w/Roller Bearing (5# Intermixer)
31210	Power Cord w/Inline Switch
31315	Stud, Lexan Cover (4)
31330	Liner w/Bearings (10# Intermixer)
31340	Mixing Paddle (10# Intermixer)
31350	Lexan Cover (10# Intermixer)
31351	Flange Bearing Front Cover (Press In - 3/8" Bore)
31352	Flange Bearing Front Cover (Bolt In - 3/8" Bore)
31360	Idler Gear w/Bearing & Thrust Washer
31361	Idler Gear Stud
31362	Idler Bracket
34180	Motor (Dayton 6K331) (5# & 10# Intermixer)

PARTS FOR INTERMIXERS WITH WELDED IN TRAYS AND NON-REMOVABLE PADDLES
5# & 10# INTERMIXER INTERCHANGABLE PARTS

31100-13	Swing Bolts
33120	Rear Bearing Hub Assembly (33121 & 33122)
33121	Rear Bearing Hub
33122	Rear Bearing (McGill ER-10)
33123	Sprocket, Paddle Drive (4019 5/8" Bore) (10# Intermixer)
33123	Sprocket, Motor & Paddle Drive (4019 5/8" Bore) (5# Intermixer)
33125	Front Bearing Hub Assembly (33126 & 33127)
33126	Front Bearing Hub
33127	Front Bearing (McGill ER-16)
33128	Paddle Drive Bushing
33141	Micro Switch
33142	Micro Switch Cover
33143	Micro Switch Screw Plate w/Screws
33144	Micro Switch Assembly (Switch, Plate w/Screws, Cord, Strain Relief, Cover)
34175	Knob, Lexan Front Cover
34183	Chain Connector Link (#40)
34184	Half Link (#40)

PARTS FOR INTERMIXERS WITH WELDED IN TRAYS AND NON-REMOVABLE PADDLES
PARTS FOR THE 10# INTERMIXER ONLY

33100-10	Baffle
33151	Guard w/Hinges
33160	Mixing Paddle
33170	Lexan Front Cover Complete (Bearing, Hub & Drive)
33171	Lexan Front Cover (Lexan Only)
33180	Motor (Dayton 2Z842)
33181	Sprocket, Motor Drive (3/4" Bore)
33182	Chain (#40 - 27" O.A.)

PARTS FOR INTERMIXERS WITH WELDED IN TRAYS AND NON-REMOVABLE PADDLES
PARTS FOR THE 5# INTERMIXER ONLY

31100-11	Baffle
34151	Guard w/Hinges
34160	Mixing Paddle
34170	Lexan Front Cover Complete (Bearing, Hub & Drive)
34171	Lexan Front Cover (Lexan Only)
34180	Motor (Dayton 6K331)
34181	Sprocket, Motor Drive (5/8" Bore)
34182	Chain (#40 - 23 1/2" O.A.)